



DELTRON *Components Limited*

SEALED DIECAST BOX - 'J' size

Sheet No. **PS 0308**

PRODUCT SPECIFICATION

Date : 26.03.95

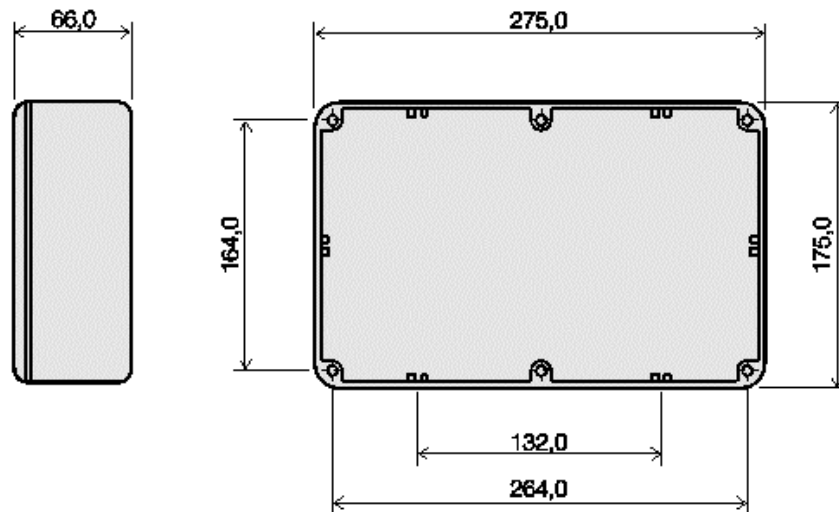
Issue No. 2

Sheet 1 of 1

Signature

Deltron Part No. **460-0090**

Dimensions



DIMENSIONS IN MILLIMETRES

Description

A range of diecast boxes in various sizes, manufactured in a robust aluminium alloy. These lightweight enclosures provide excellent screening against EMI/RFI and are therefore ideal housings for electronic components and circuits.

The close fitting lid is secured using six countersunk screws. The box also incorporates integral PCB guides, and comes in a plain finish.

The box is fitted with a self-adhesive, rubber seal providing IP66 rating.

Features

MATERIAL

BOX & LID : Aluminium Alloy
LM24

SCREWS : Mild Steel

SEAL : Neoprene,
closed cell, black

WALL : 2,0 mm
THICKNESS