

## Extendable Module Box

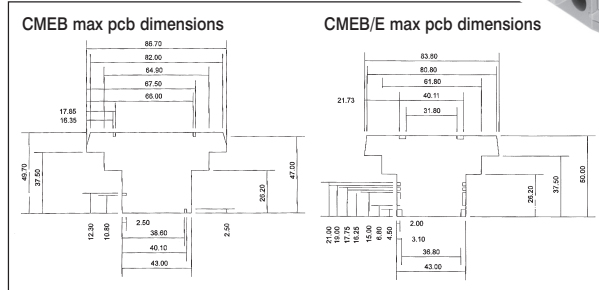
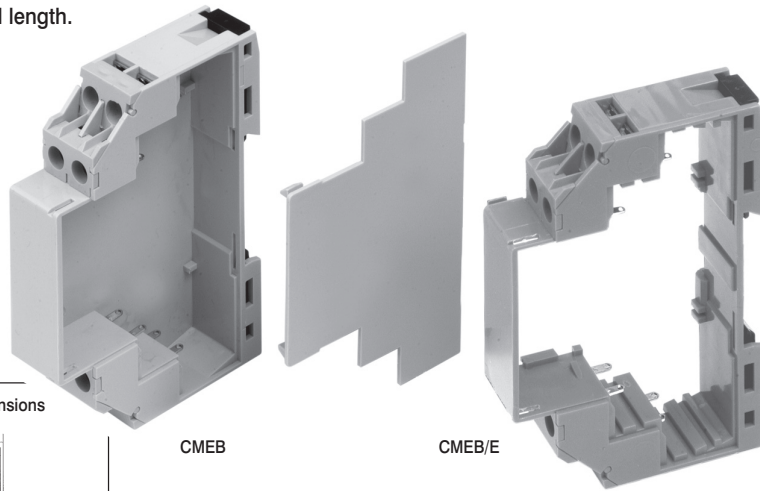
A 17.5mm width module box, extendable to required length.

The main box has a detachable end plate and the extension box is sideless.

Each module, as standard, has 8 screw terminals which are removeable as required.

### Features

- 17.5mm multiples
- Top hat 35mm din rail or surface mounting
- Flame retardent UL 94V0 material
- Max 2 x 2.5mm<sup>2</sup> solid or stranded
- Terminal protection to IP20



Type No.	Description
CMEB	17.5mm Module box
CMEB/E	Extension

- PCB
- TERMINAL BLOCKS
- INTER-CONNECTION
- FUSES & HOLDERS
- BATTERIES
- LED'S
- MINIATURE SWITCHES
- INTERFACE MODULES & SUPPORTS
- ENCLOSURES**
- IC & PLCC SOCKETS
- RELAY BASES
- CONTROL PRODUCTS



Tel: +44 (0)1727 864437 Fax: +44 (0)1727 855400  
 E-mail: [camdeninfo@camdenelec.com](mailto:camdeninfo@camdenelec.com) Website: [www.camdenelec.com](http://www.camdenelec.com)

Because we operate a constant improvement policy, our products are subject to change without notice.



FM28614  
 BS EN ISO  
 9001:  
 2000