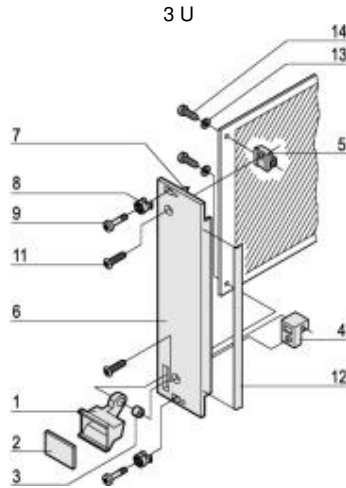


Plug-in units type 2 with extraction handle – front panel shielded



Article number: 20848-490

- For 6 U, the board location can be moved 1 HP to the right by swapping the upper and lower printed board brackets. This creates space for SMD components on the left-hand side (solder side).

Delivery quantity: kit

| Item | Qty | Description |
|------|-----|---|
| 1 | 1 | Extraction handle, PPE, grey, at bottom |
| 1a | - | Extraction handle, PPE, grey, at top |
| 2 | 1 | Identification plate, 1.5 mm aluminium, anodised, cut edges clean |
| 3 | 1 | Pivot bush, brass |
| 4 | 1 | Printed board bracket, diecast zinc, at bottom |
| 4a | - | Printed board bracket, diecast zinc, at top |
| 5 | 1 | Printed board bracket, diecast zinc |
| 6 | 1 | U-Front panel for handle, front anodised, rear chromated |
| 7 | 2 | Alignment pin, pressed in, stainless steel |
| 8 | 2 | Sleeve, PA, grey, up to 7 HP front panel width |
| 8 | 4 | Sleeve, PA, grey, up to 8 HP front panel width |
| 9 | 2 | Collar screw, cross recess/slot, nickel-plated steel, M2.5 × 12.3, up to 8 HP front panel width |
| 9 | 4 | Collar screw, cross recess/slot, nickel-plated steel, M2.5 × 12.3, from 8 HP front panel width |
| 11 | 1 | Raised countersunk head screw, M2.5 × 8 |
| 12 | 1 | EMC textile seal |
| 13 | 2 | Washer, A2.7 |
| 14 | 2 | Pozidrive flathead screw with cross recess, nickel-plated steel, M2.5 × 10 |

Technical data:

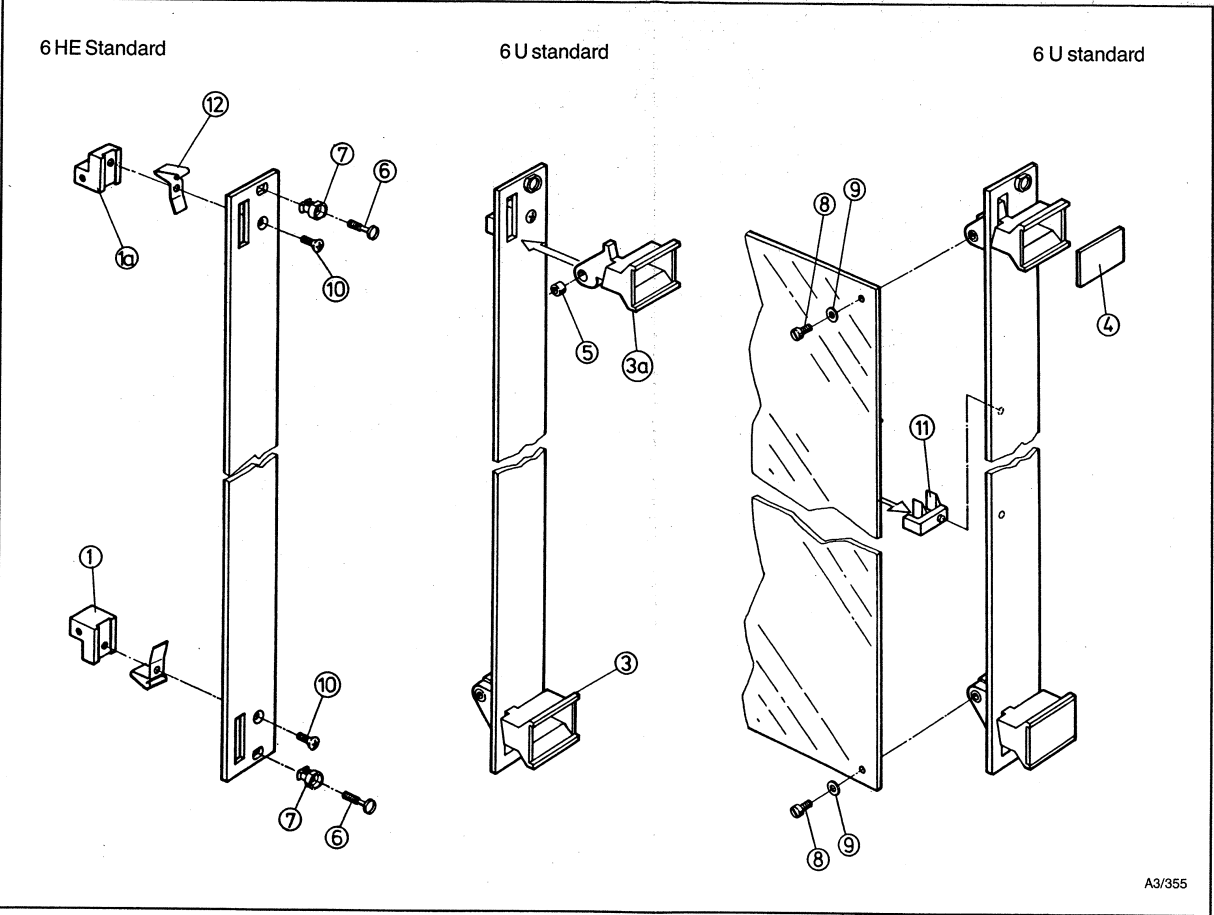
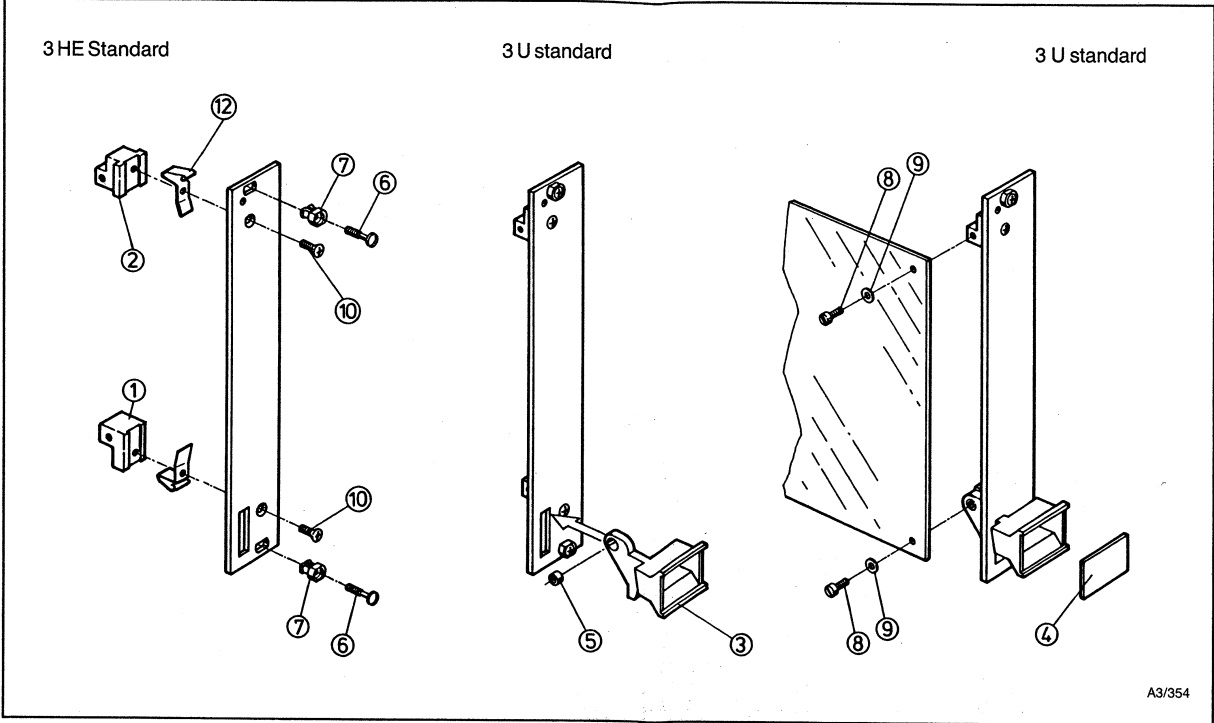
| | |
|-------|--------|
| Width | Height |
| 10 HP | 3 U |

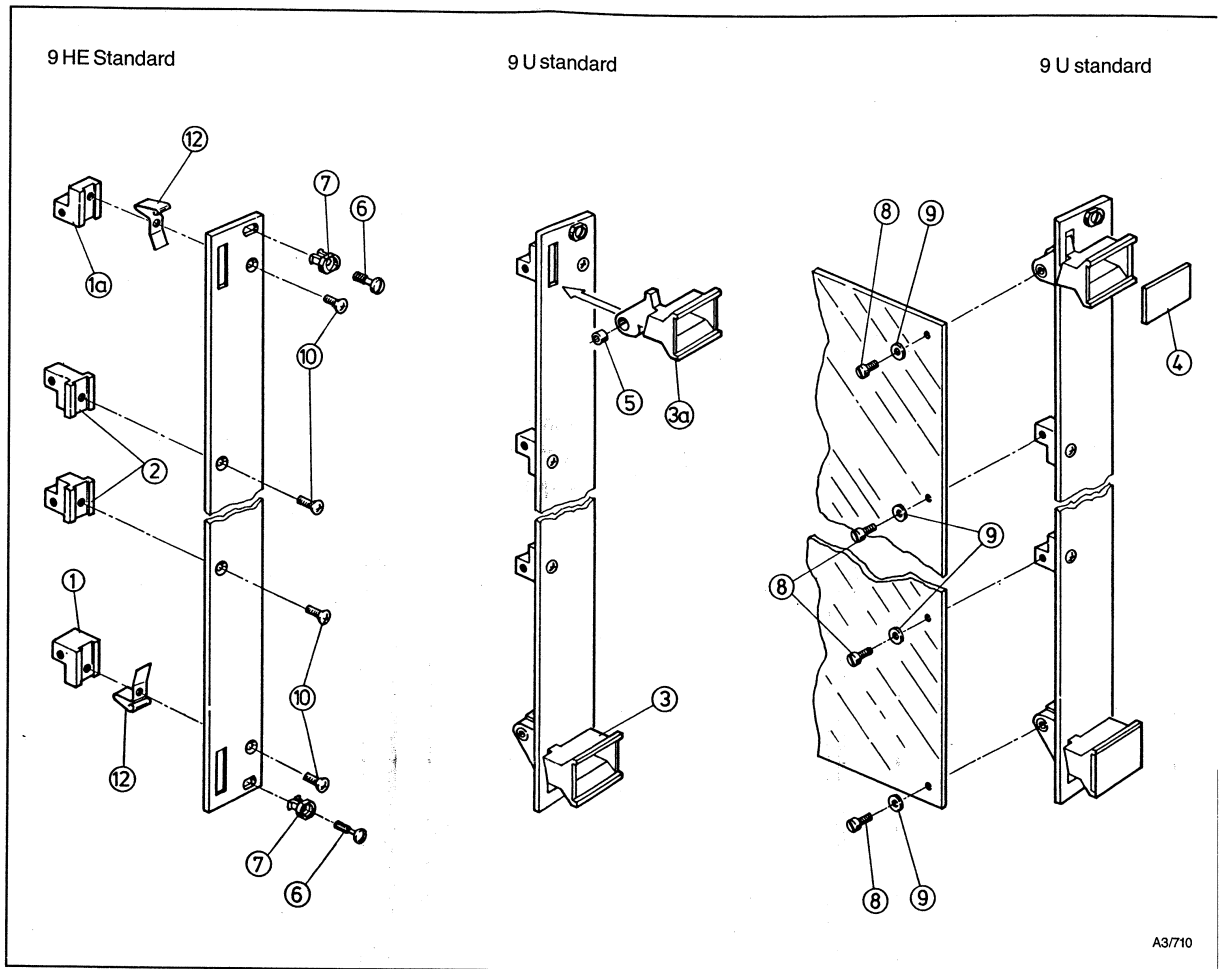
**Montageanweisung
Aushebegriff für
Steckbaugruppen
Trapezform**

**Assembly Instructions
Plug-in Units Type 2
with Extractor Handle C**

**Instructions de montage
poignée d'extraction
trapézoïdale pour bloc c**

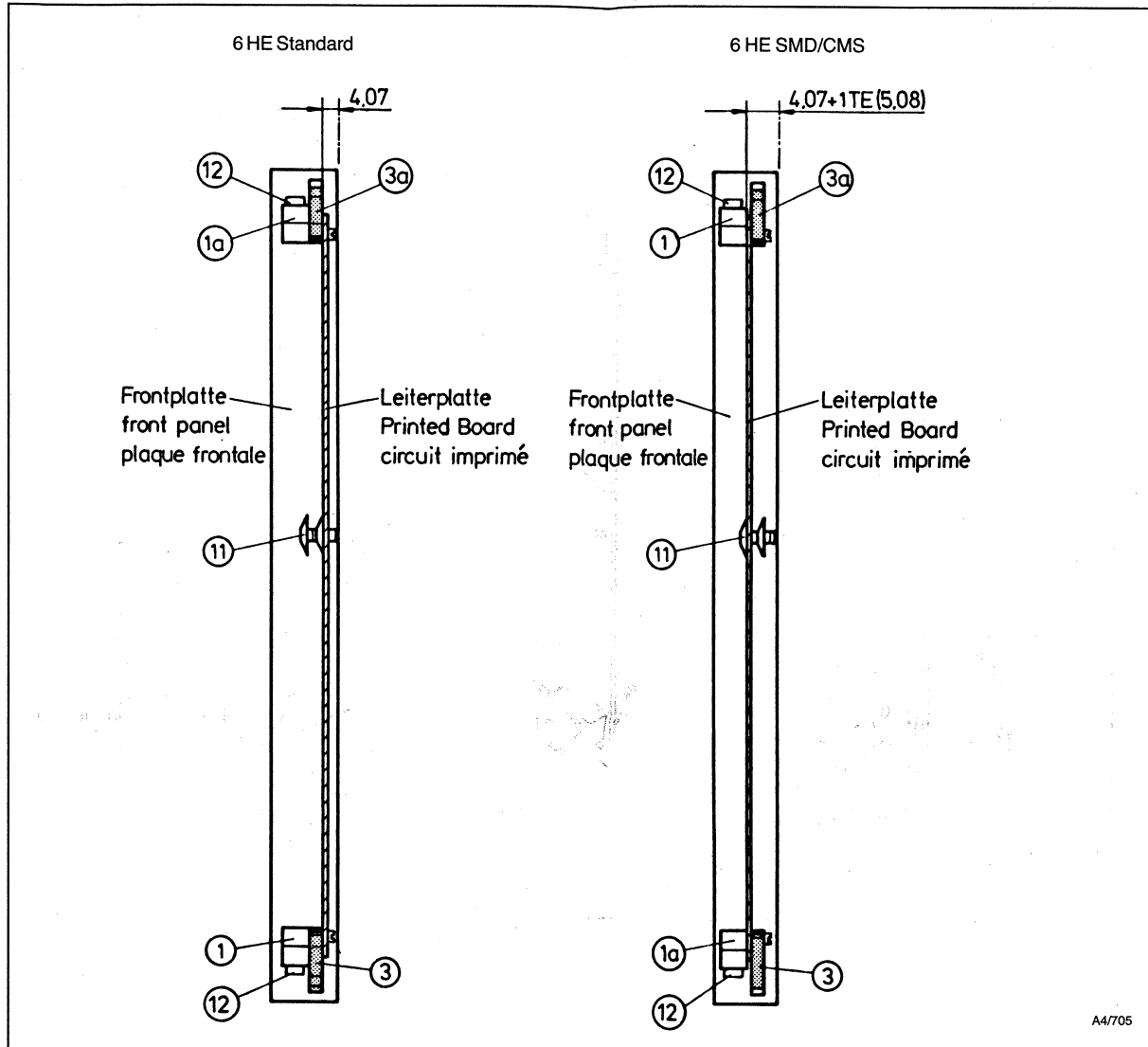






A3/710

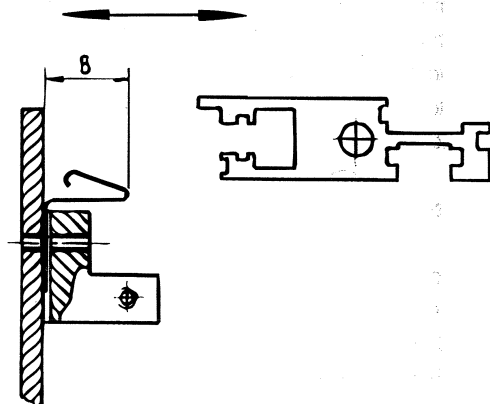
- | | | |
|---|--|---|
| ① Leiterplattenhalter, unten (bei SMD oben) | ① Board holder, bottom (top for SMD) | ① équerre de carte inférieure (avec CMS en haut) |
| ①a Leiterplattenhalter, oben (bei SMD unten) | ①a Board holder, top (bottom for SMD) | ①a équerre de carte supérieure (avec CMS en bas) |
| ② Leiterplattenhalter | ② Board holder, top 3 U | ② équerre de carte |
| ③ Aushebegriff unten | ③ Extractor handle, bottom | ③ poignée extractrice inférieure |
| ③a Aushebegriff oben | ③a Extractor handle, top | ③a poignée extractrice supérieure |
| ④ Beschriftungsblende | ④ Identification plate | ④ plaquette d'identification |
| ⑤ Buchse | ⑤ Bush | ⑤ douille |
| ⑥ Halsschraube M 2,5 × 11 | ⑥ Collar screw M 2,5 × 11 | ⑥ vis à gorge M 2,5 × 11 |
| ⑦ Nippel | ⑦ Sleeve | ⑦ oeillet |
| ⑧ Zylinderkopfschraube M 2,5 × 8 | ⑧ Cheese head screw M 2,5 × 8 | ⑧ vis à tête cylindrique M 2,5 × 8 |
| ⑨ Scheibe | ⑨ Washer | ⑨ rondelle |
| ⑩ Linsensenkschraube M 2,5 × 8 | ⑩ Raised c/sk screw M 2,5 × 8 | ⑩ vis à tête fraisée M 2,5 × 8 |
| ⑪ Leiterplattenhalter mitte | ⑪ Board holder middle | ⑪ support central de circuit imprimé |
| ⑫ Kontaktfeder | ⑫ Contact springs | ⑫ ressort de contact |



9 HE SMD/CMS auf Kundenanfrage
möglich

9 U on request

9 U CMS possible sur demande
du client



europac PRO

A4/2184 BZA46009

Montageanweisung
EMC - Dichtung

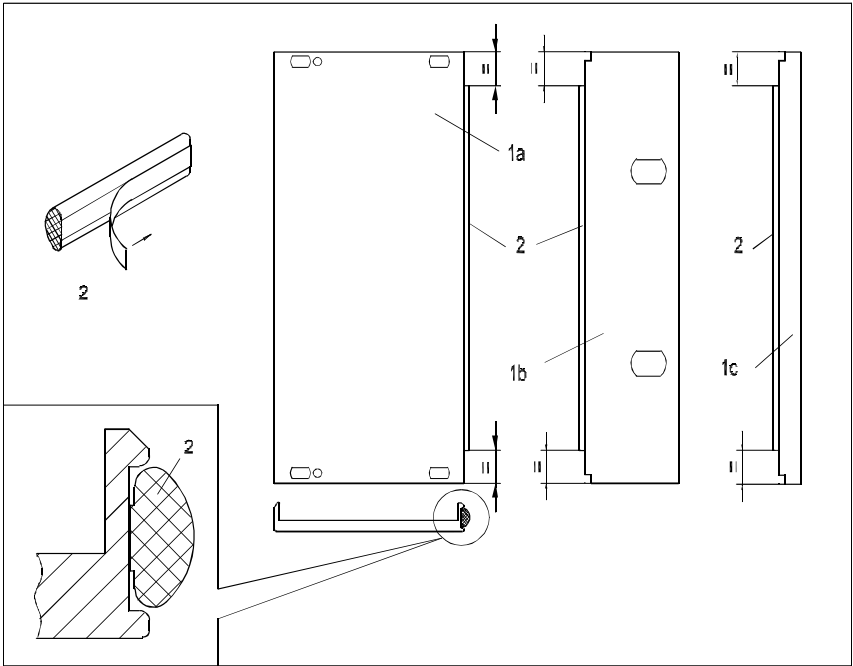
Assembly instructions
EMC gasket

Instructions de montage
Joints EMC

| Pos. 1* | Pos. 2 |
|---------|--------|
| Item 1* | Item 2 |
| Rep. 1* | Rep. 2 |
| a | 1x |
| b | |
| c | |

1 a(1x) 1 b(1x) 1 c(1x) 2

* Pos.1 ist im Lieferumfang nicht enthalten * Item.1 is not supplied * Rep.1 non compris dans la livraison



60845 - 015 Revision 001

