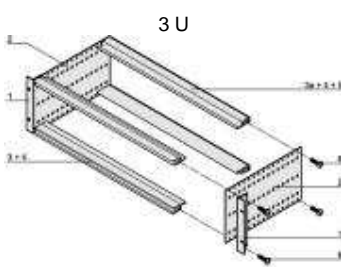


Subrack kits for backplane assembly

[Print page](#)


Rear horizontal rail for backplane assembly

Article number: 24563-133

- Rear horizontal rail with insulation strip for backplane mounting
- Subrack in lightweight version

Delivery comprises: kit

| Item | Qty | Description |
|------|-----|-------------------------------|
| 1 | 2 | 19" support bracket |
| 2 | 2 | Side panel type F |
| 3 | 2 | Horizontal rail, front (L-KD) |
| 3 a | 2 | Rear horizontal rail (L-ST) |
| 4 | 4 | Threaded insert, pre-mounted |
| 5 | 2 | Insulation strip, assembled |
| 6 | 1 | Assembly kit |

Technical data:

| Description | Height | Width | Depth |
|--|--------|-------|--------|
| Kit, unshielded, light, for backplane mounting | 3 U | 84 HP | 295 mm |

Accessories:

| Article number | Description |
|----------------|--|
| 24560-351 | Guide rail, 160 mm deep PBT, UL 94 V-0, red, groove width 2 mm, PU 10 pieces |
| 24560-353 | Guide rail, 220 mm deep PBT, UL 94 V-0, red, groove width 2 mm, PU 10 pieces |
| 24560-255 | ESD clip for guide rail PU 50 pieces |
| 24561-051 | Cover plate standard, 160 mm deep Al, 1.2 mm, perforated, to push into light horizontal rail, PU 2 pieces |
| 24561-052 | Cover plate standard, 220 mm deep Al, 1.2 mm, perforated, to push into light horizontal rail, PU 2 pieces |
| 21100-435 | Assembly set, PU 8 x screw, washer, nut for assembly of subracks in a 19" case or a cabinet |
| 20822-048 | Perforated rail for connector according to EN 60603-2 (DIN 41612) 84 HP, with thread M2.5, PU 4 pieces |

Further Information:



3D PDF with CAD data (STEP/DWG/DXF/PDF)



User Manual

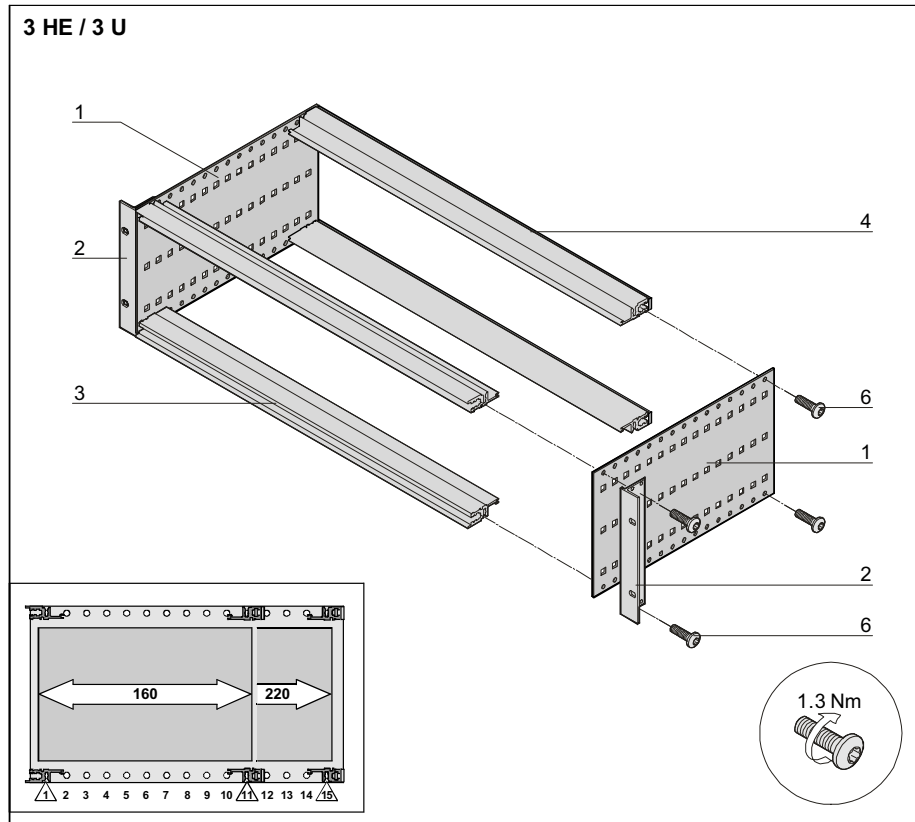
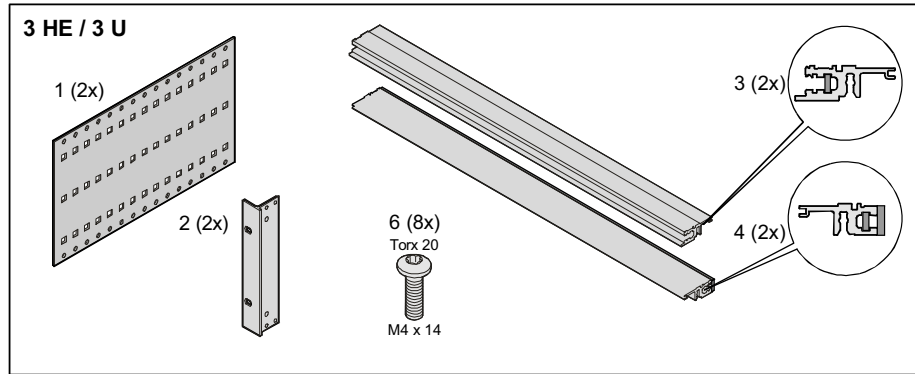


Reference project: Semiconductor test system

**Montageanweisung
europac PRO
Baugruppenträger**

**Assembly instructions
europac PRO
Subrack**

**Instructions de montage
europac PRO
Bac à cart**



64560-107 Rev.000

