

**Networking Cabinet**

*Additional accessories available; see complete list in the DataCom Networking Cabinets and Racks Catalog.*

**Hoffman Enclosures Inc.**  
2100 Hoffman Way  
Anoka, MN 55303-1745  
(763) 426-2211 Fax  
www.hoffmanonline.com

**Pentair Electronic Packaging**  
170 Commerce Drive  
Warwick, RI 02886  
(401) 732-3710  
www.pentair-ep.com

**Canada**  
Hoffman-Schroff  
111 Greenwood Avenue, Suite 504  
Scarborough, Ontario M1H 3E9  
(416) 299-2770 Fax: (416) 299-2883  
1-800-668-2500 (Canada only)

**Germany**  
Schroff GmbH  
Langeraber Str. 96-100  
75354 Straubenhardt  
49 (07082) 794-0 Fax: 49 (07082) 794-200  
www.schroff.de

**Great Britain**  
Schroff UK Ltd.  
Maylands Avenue  
Hemel Hempstead, Herts HP2 7DE  
44 (01442) 240471 Fax: 44 (01442) 213508  
www.schroff.co.uk

**Sweden**  
Schroff Scandinavia AB  
Box 2003  
12621 Sjuhäppan  
46 39053 61 00 Fax: 46 08683 61 99  
www.schroff.se

**France**  
Schroff Sas  
Z.I. 4 rue du Marais  
67600 Betschdorf  
33 03 88 50 54 90 Fax: 33 03 88 90 64 88  
www.schroff.fr

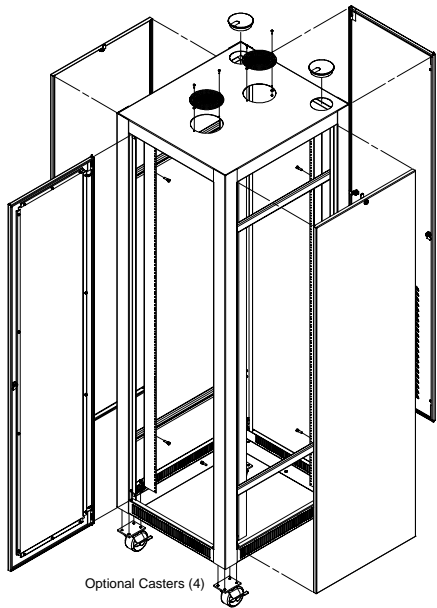
**Italy**  
Schroff srl  
Viale Milano, 119  
21013 Gabbiate (Varese)  
39 0331 79 40 03 Fax: 39 0331 79 34 50

**Singapore**  
Hoffman-Schroff Pte. Ltd.  
401-49/51 German Centre  
25 International Business Park  
Singapore 630916  
65 5 62-78 90 Fax: 65 5 62-78 99

**Japan**  
Schroff K.K.  
Nissei No. 13 Bldg. 4F  
2-2-1 Shinyokohama  
Kohoku-Ku, Yokohama shi  
Kanagawa 222-0033  
81 (045) 476-02 81 Fax: 81 (045) 476-02 89

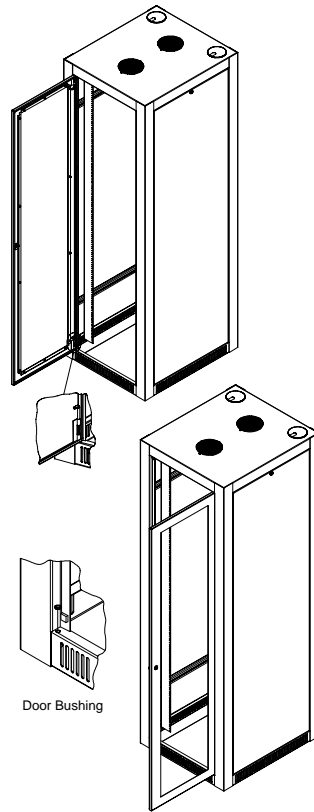
**Finland**  
Schroff Scandinavia AB  
Pasilanranta 8  
03100 Nurmela  
358 09 222 68 00 Fax: 358 09 222 38 86

**Norway**  
Schroff Scandinavia AB  
Bjornestruvaen 24  
1206 Oslo  
47 022 76 33 60 Fax: 47 022 76 33 69



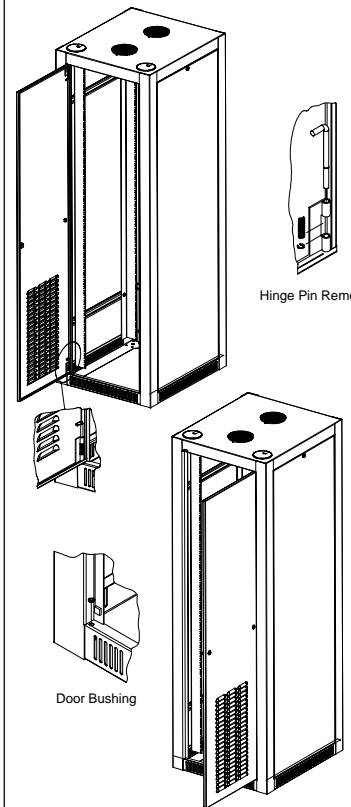
Optional Casters (4)

1. Release door hinge by pulling top hinge pin.
2. Move the two door bushings to the opposite corner holes of the frame.
3. Rotate the door vertically 180 degrees.
4. Reinstall the door by pulling the hinge pins and releasing them into the opposite hinge holes.



Door Bushing

1. Release door hinge by pulling top hinge pin.
2. Move the two door bushings to the opposite corner holes of the frame.
3. Remove hinge pins as shown and move to the opposite door hinges.
4. Reinstall the door by pulling the hinge pins and releasing them into the opposite hinge holes.



Hinge Pin Removal

Door Bushing