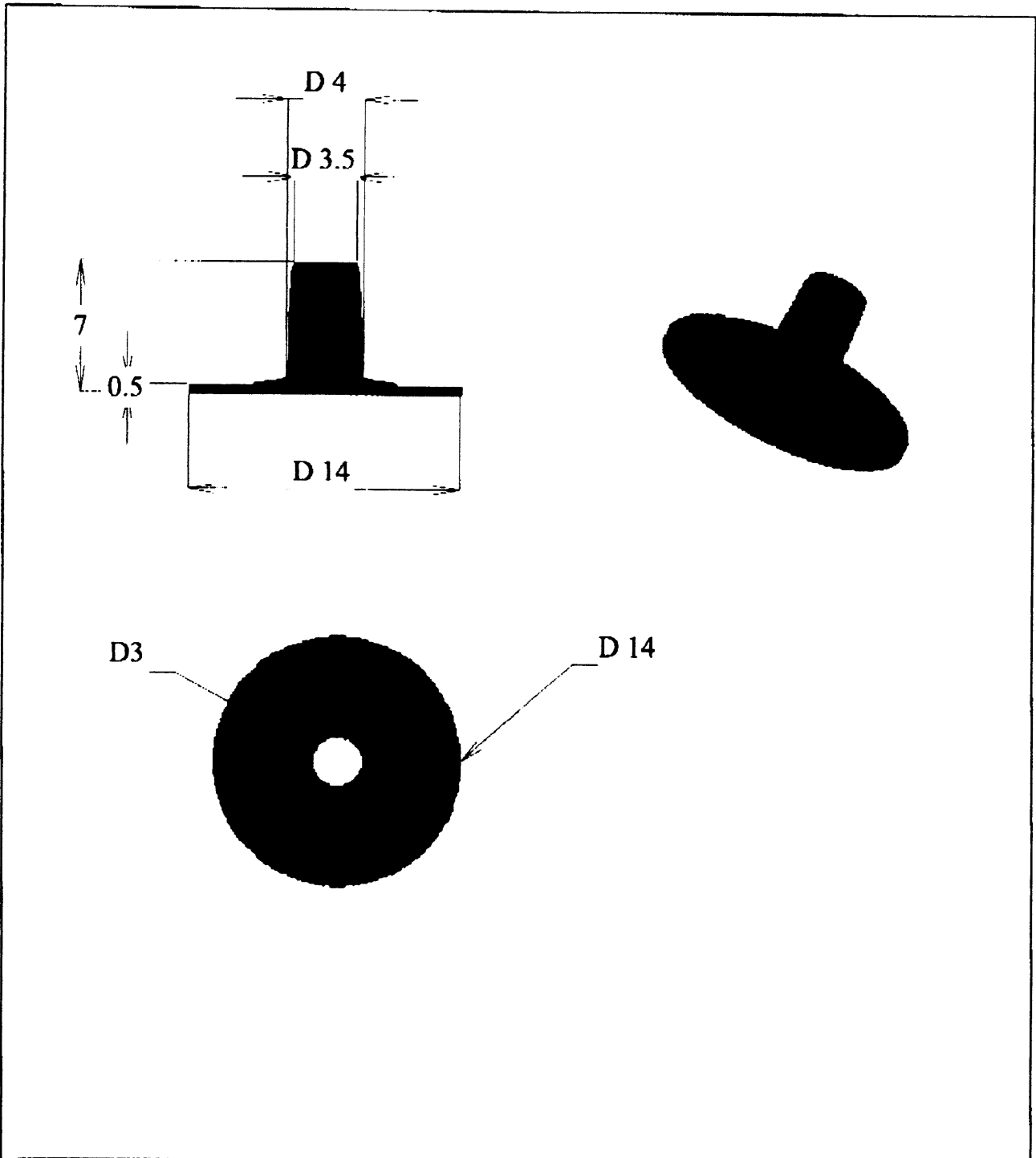


Ref: RJ5260	Scale: not to scale All dimension in mm	
Description: 10mm Press Stud		<b>Vermason Ltd</b> <b>Birds Hill</b> <b>Letchworth SG6 1HX</b> <b>Tel: 01462 672005</b> <b>Fax: 01462 670440</b>
Date: 03/09/99	Drawn By: LD Approved by :	

File name: F:\TS&D\project\calibration box\PCB plan for HB6 Decade box.tcw

Verm 0.15 Issue 05/06/98



<p>Ref: RJ5261</p>	<p>Scale: not to scale All dimension in mm</p>	
<p>Description: Post for 10mm Press Stud</p>		<p><b>Vermason Ltd</b>  <b>Birds Hill</b>  <b>Letchworth SG6 1HX</b>  <b>Tel: 01462 672005</b>  <b>Fax: 01462 670440</b></p>
<p>Date: 03/09/99</p>	<p>Drawn By: LD                  Approved by :</p>	

Vorm 0.15 Issue 05/06/98