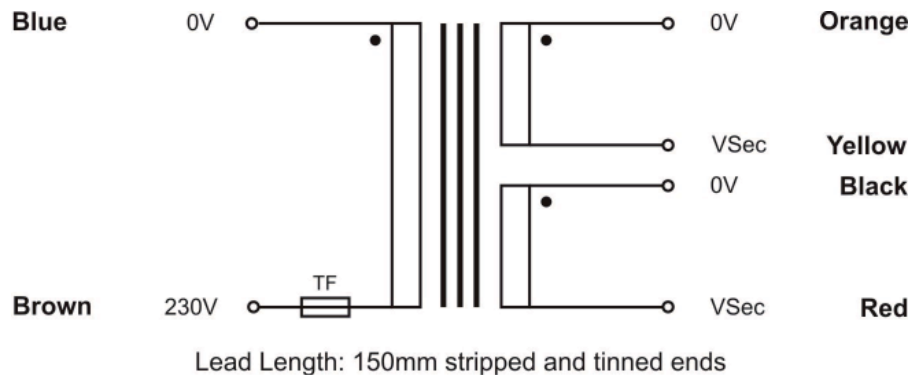




Features:

- High Quality Open Style Toroidal Transformer
- Single Primary/ Dual Secondary windings
- Very low level radiated magnetic field
- Supplied with mounting Kit
- 100% electrical and flash tested.
- Manufactured and tested in accordance to EN61558 and EN60950



VA Rating	Part No	Input Voltage (Vac)	Output Voltage (Vac)	Output Current (A)	Regulation (Typ. %)	Temp Rise (°C)	Height x Dia. (mm)	Weight (Kg)
15	VTX-146-015-106	230	2 x 6	1.25	16	26	32 x 60	0.3
15	VTX-146-015-109	230	2 x 9	0.83	16	26	32 x 60	0.3
15	VTX-146-015-112	230	2 x 12	0.63	16	26	32 x 60	0.3
15	VTX-146-015-115	230	2 x 15	0.5	16	26	32 x 60	0.3
15	VTX-146-015-118	230	2 x 18	0.42	16	26	32 x 60	0.3
30	VTX-146-030-106	230	2 x 6	2.5	14	40	35 x 70	0.45
30	VTX-146-030-109	230	2 x 9	1.67	14	40	35 x 70	0.45
30	VTX-146-030-112	230	2 x 12	1.25	14	40	35 x 70	0.45
30	VTX-146-030-115	230	2 x 15	1	14	40	35 x 70	0.45
30	VTX-146-030-118	230	2 x 18	0.83	14	40	35 x 70	0.45
30	VTX-146-030-125	230	2 x 25	0.6	14	40	35 x 70	0.45

Products can be altered to suite custom requirements. Please contact Vigortronix for your specific requirements.



VA Rating	Part No	Input Voltage (Vac)	Output Voltage (Vac)	Output Current (A)	Regulation (Typ. %)	Temp Rise (°C)	Height x Dia. (mm)	Weight (Kg)
50	VTX-146-050-106	230	2 x 6	4.17	14	42	35 x 80	0.65
50	VTX-146-050-109	230	2 x 9	2.78	14	42	35 x 80	0.65
50	VTX-146-050-112	230	2 x 12	2.08	14	42	35 x 80	0.65
50	VTX-146-050-115	230	2 x 15	1.67	14	42	35 x 80	0.65
50	VTX-146-050-118	230	2 x 18	1.39	14	42	35 x 80	0.65
50	VTX-146-050-125	230	2 x 25	1	14	42	35 x 80	0.65
50	VTX-146-050-155	230	2 x 55	0.45	14	42	35 x 80	0.65
80	VTX-146-080-109	230	2 x 9	4.44	11	50	40 x 90	0.9
80	VTX-146-080-112	230	2 x 12	3.33	11	50	40 x 90	0.9
80	VTX-146-080-115	230	2 x 15	2.67	11	50	40 x 90	0.9
80	VTX-146-080-118	230	2 x 18	2.22	11	50	40 x 90	0.9
80	VTX-146-080-125	230	2 X 25	1.6	11	50	40 x 90	0.9
80	VTX-146-080-155	230	2 X 55	0.73	11	50	40 x 90	0.9
120	VTX-146-120-112	230	2 x 12	5	10	55	50 X 95	1.2
120	VTX-146-120-115	230	2 x 15	4	10	55	50 X 95	1.2
120	VTX-146-120-118	230	2 x 18	3.33	10	55	50 X 95	1.2
120	VTX-146-120-125	230	2 x 25	2.4	10	55	50 X 95	1.2
120	VTX-146-120-155	230	2 x 55	1.09	10	55	50 X 95	1.2
160	VTX-146-160-112	230	2 x 12	6.67	8	55	45 X 105	1.5
160	VTX-146-160-115	230	2 x 15	5.33	8	55	45 X 105	1.5
160	VTX-146-160-118	230	2 x 18	4.44	8	55	45 X 105	1.5
160	VTX-146-160-125	230	2 x 25	3.2	8	55	45 X 105	1.5
160	VTX-146-160-130	230	2 x 30	2.67	8	55	45 X 105	1.5
160	VTX-146-160-155	230	2 x 55	1.45	8	55	45 X 105	1.5
225	VTX-146-225-112	230	2 x 12	9.38	7	60	52 X 115	2
225	VTX-146-225-115	230	2 x 15	7.5	7	60	52 X 115	2
225	VTX-146-225-118	230	2 x 18	6.3	7	60	52 X 115	2
225	VTX-146-225-125	230	2 x 25	4.5	7	60	52 X 115	2
225	VTX-146-225-130	230	2 x 30	3.75	7	60	52 X 115	2
225	VTX-146-225-155	230	2 x 55	2.05	7	60	52 X 115	2



VA Rating	Part No	Input Voltage (Vac)	Output Voltage (Vac)	Output Current (A)	Regulation (Typ. %)	Temp Rise (°C)	Height x Dia. (mm)	Weight (Kg)
250	VTX-146-250-112	230	2 x 12	10.42	7	60	55 X 120	2.1
250	VTX-146-250-115	230	2 x 15	8.33	7	60	55 X 120	2.1
250	VTX-146-250-118	230	2 x 18	6.95	7	60	55 X 120	2.1
250	VTX-146-250-125	230	2 x 25	5	7	60	55 X 120	2.1
250	VTX-146-250-130	230	2 x 30	4.16	7	60	55 X 120	2.1
250	VTX-146-250-155	230	2 x 55	2.27	7	60	55 X 120	2.1
300	VTX-146-300-125	230	2 x 25	6	6	60	60 X 120	2.3
300	VTX-146-300-130	230	2 x 30	5	6	60	60 X 120	2.3
300	VTX-146-300-135	230	2 x 35	4.28	6	60	60 X 120	2.3
300	VTX-146-300-155	230	2 X 55	2.73	6	60	60 X 120	2.3
500	VTX-146-500-125	230	2 x 25	10	6	68	65 X 140	3.5
500	VTX-146-500-130	230	2 x 30	8.33	6	68	65 X 140	3.5
500	VTX-146-500-135	230	2 x 35	7.14	6	68	65 X 140	3.5
500	VTX-146-500-140	230	2 x 40	6.25	6	68	65 X 140	3.5
500	VTX-146-500-145	230	2 x 45	5.56	6	68	65 X 140	3.5
500	VTX-146-500-150	230	2 x 50	5	6	68	65 X 140	3.5
500	VTX-146-500-155	230	2 x 55	4.55	6	68	65 X 140	3.5
625	VTX-146-625-140	230	2 x 40	7.8	5	70	70 X 150	4.4
625	VTX-146-625-145	230	2 X 45	6.95	5	70	70 X 150	4.4
625	VTX-146-625-150	230	2 x 50	6.25	5	70	70 X 150	4.4
625	VTX-146-625-155	230	2 x 55	5.68	5	70	70 X 150	4.4
800	VTX-146-800-140	230	2 x 40	10	5	72	73 X 165	5.2
800	VTX-146-800-145	230	2 x 45	8.88	5	72	73 X 165	5.2
800	VTX-146-800-150	230	2 x 50	8	5	72	73 X 165	5.2
800	VTX-146-800-155	230	2 x 55	7.27	5	72	73 X 165	5.2
1000	VTX-146-1000-140	230	2 x 40	12.5	4	75	75 X 170	6.5
1000	VTX-146-1000-145	230	2 x 45	11.11	4	75	75 X 170	6.5
1000	VTX-146-1000-150	230	2 x 50	10	4	75	75 X 170	6.5
1000	VTX-146-1000-155	230	2 x 55	9.09	4	75	75 X 170	6.5