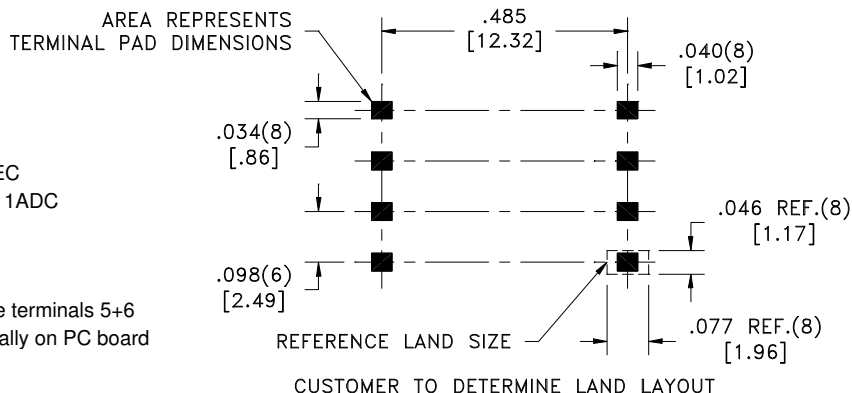
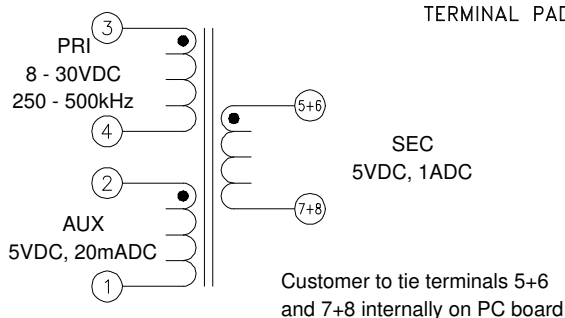
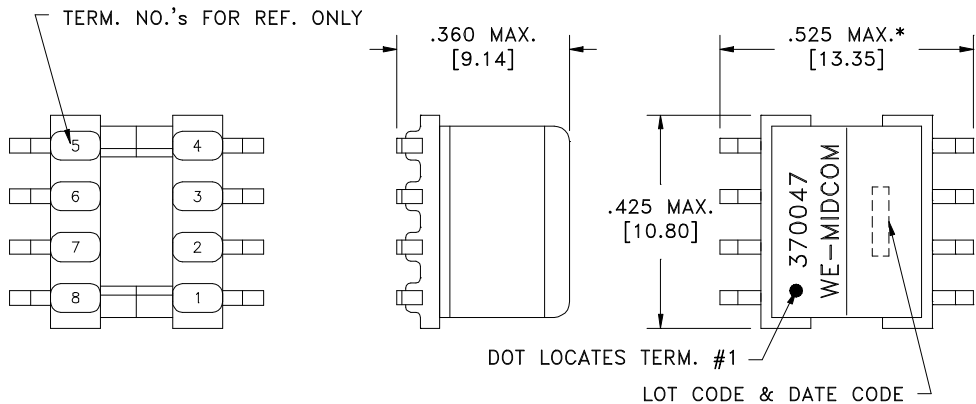


CUSTOMER TERMINAL	RoHS	LEAD(Pb)-FREE
Sn96%, Ag4%	Yes	Yes



* DIMENSION MAY BE EXCEEDED WITH SOLDER ONLY



ELECTRICAL SPECIFICATIONS @ 25°C unless otherwise noted:

- D.C. RESISTANCE (@20°C):** 3-4 , 0.060 Ohms ±15%.
 2-1 , 0.105 Ohms ±15%.
 5-7 (5+6,7+8), 0.0125 Ohms ±15%.
- DIELECTRIC RATING:** 1500VAC, 1 minute tested by applying 1875VAC for 1 second between pins 3-6(tie 5+6).
 1500VAC, 1 minute tested by applying 1875VAC for 1 second between pins 2-6(tie 5+6).
- INDUCTANCE:** 30µH ±10%, 100kHz, 100mVAC, 0mADC, 3-4, Ls.
- LEAKAGE INDUCTANCE:** 1.0µH max., 100kHz, 100mVAC, 3-4(tie 1+2, 5+6+7+8), Ls.
- URNS RATIO:** (3-4):(5-7), (3):(1.00), ±3%.
 (3-4):(6-8), (3):(1.00), ±3%.
 (3-4):(2-1), (3):(1.00), ±3%.

OPERATING TEMPERATURE RANGE: -40°C to +125°C.
AMBIENT TEMPERATURE RANGE: -40°C to +85°C.

WE-Midcom, Inc. Watertown, SD USA Toll Free: 800-643-2661 Fax: 605-886-4486	Unless otherwise specified, tolerances are as follows: Angles: ±1° Fractions: ±1/64 Decimals: ±.005(.127mm)		WE-Midcom, Inc.	
	Drawing Title <h1>Transformer</h1>		Drawing Number <h1>750370047</h1>	Rev. 00
Revisions: See Sheet 1		Scale ----	Sheet 2 of 5	
Engineer: EJK		09/16/2008		