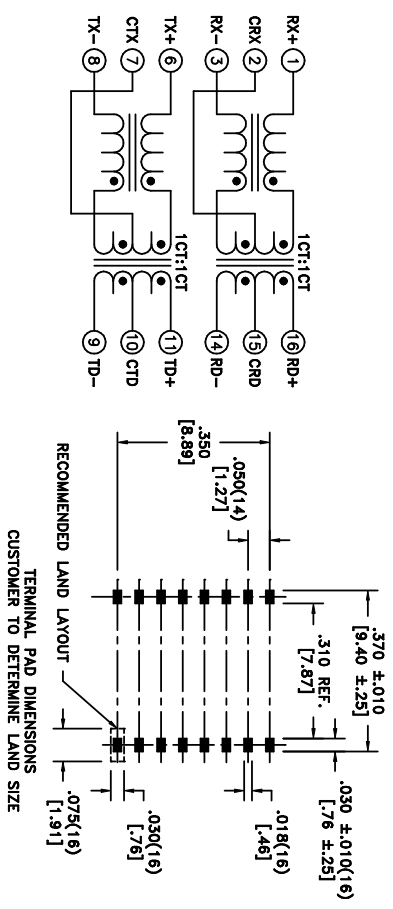
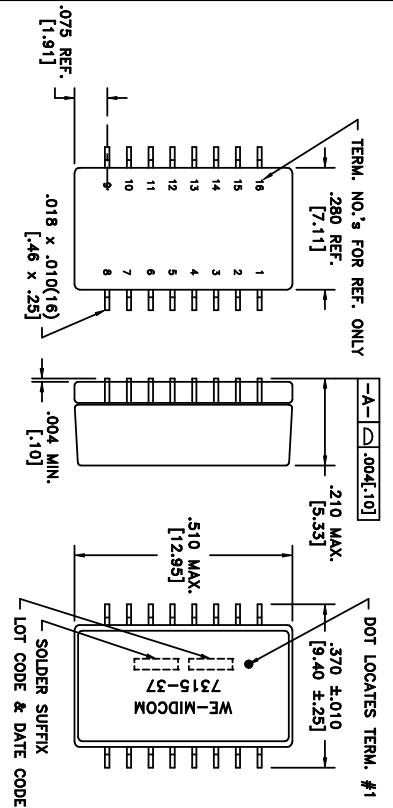


| | | | |
|---------------|-------------------|------|---------------|
| SOLDER SUFFIX | CUSTOMER TERMINAL | ROHS | LEAD(Pb)-FREE |
| LF1 | Sn63% Pb37% | No | No |
| | Sn95% Ag4% | Yes | No |



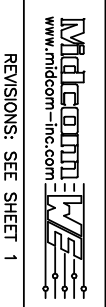
ELECTRICAL SPECIFICATIONS @ 25°C unless otherwise noted:

- INSERTION LOSS: -1.0dB max., 300k - 100MHz.
- DIELECTRIC RATING: 1500Vrms, 1 minute tested by applying 1875Vrms for 1 second between 1-16(1e 1+6, 16+11).
- INDUCTANCE: 350uH min., 100kHz, 100mVAC, 8mADC, 1-3; 6-8, 1p.
- RETURN LOSS: -18dB min., 300k - 30MHz.
-16dB min., 30M - 45MHz.
-14dB min., 45M - 60MHz.
-12dB min., 60M - 80MHz.
- TURNS RATIO & POLARITY: Per Schematic.
- CROSSTALK: -65dB min., 1MHz.
-45dB min., 60MHz.
-55dB min., 30MHz.
-35dB min., 100MHz.
- CMDR: -40dB min., 300k - 100MHz.
- CMRR: -30dB min., 300k - 100MHz.
- OPERATING TEMPERATURE RANGE: -40°C to +85°C.
- COPLANARITY: All 16 terminals must lie on a plane within .004 [10] of Surface A after lead finning.
- Midecom p/n 000-7315-37R-LF1 is eISos p/n: 749010014.

| REV. | DATE |
|------|------|
| 6E | 8/08 |
| 6D | 7/07 |
| 6C | 2/07 |
| 6B | 8/06 |
| 6A | 6/06 |

Packaging Specifications
 Unless otherwise specified:
 Tolerances: ±1/64
 Angles: ±1°
 Fractions: ±1/64
 Decimals: ±.005[.127]
 This drawing is dual dimensioned. Dimensions in brackets are in millimeters.

DRAWING TITLE
TRANSFORMER
 PDSO-G16
 eISos p/n: 749010014



DRAWING NO.
000-7315-37R-LF1
 SCALE: ---
 SHEET 2 OF 8