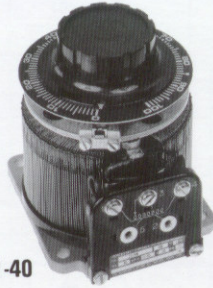


40 VOLT series



TYPE 10C-40



TYPE 21-40



TYPE M21-40

POWERSTAT Variable Transformers of the 40 Volt Series meet the high current, low voltage requirements of low voltage power supplies and a wide range of transistor circuit applications. All models operate from a 40 volt, 60 hertz single phase input with an output of 0-40 volts. POWERKOTE coils on all models assure long life and resistance to overloads.

Figure A shows the regulation curves for types of the 40 Volt Series operating at full output current. The curves show the voltage drop at any brush setting when full load is applied. For less than full load the voltage drop is proportional. Driving torque, d-c resistance per coil and maximum core and brush loss when operating under no load are given in the chart.

POWERSTAT Variable Transformers of the 40 Volt Series are of open construction and are intended for back-of-panel mounting.

Terminal connections permit increasing output voltage with either clockwise or counterclockwise knob rotation. Manually-operated units have standard dials graduated 0-100.

Single units and ganged assemblies in the 21-40 and 116CU-40 Series types are available with motor drives in speeds of 5, 15, 30 and 60 seconds for full range travel. Motor-driven units have a letter M prefix in the type number and the identical electrical ratings of their corresponding manually-operated models. The motor is rated for an input of 120 volts, 50/60 hertz single phase with a current requirement of approximately 0.3 ampere. When ordering, motor-driven types should be prefixed with the desired speed in seconds. For example: 5M116CU-40.

TYPE†	Approximate Driving Torque		No-Load Loss at 60 Hertz (Watts)	D-C Resistance per Coil (Ohms)
	Oz-In	KpCm		
10C-40	5-10	.4- .7	2	0.8
10C-40-2	15-20	1.1-1.4	4	0.8
10C-40-3	20-30	1.4-2.2	6	0.8
21-40	20-30	1.4-2.2	3	0.25
21-40-2	60-75	4.3-5.4	6	0.25
21-40-3	100-125	7.2-9	9	0.25
116CU-40	30-40	2.2-2.9	6	0.048
116CU-40-2	70-80	5 -5.8	12	0.048
116CU-40-3	110-140	7.9-10.1	18	0.048

†Data applies to M prefixed models also.

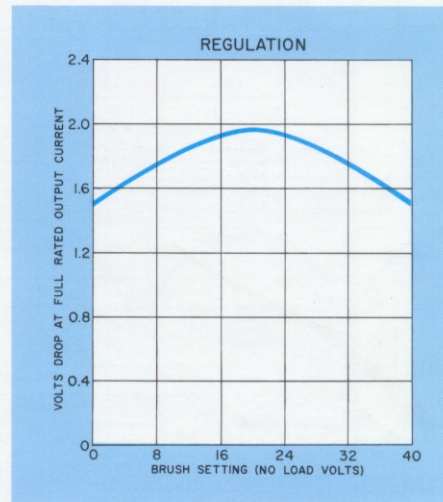


FIGURE A

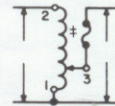
CONNECTIONS AND RATINGS

TYPE		CONNECTION	INPUT		OUTPUT				KNOB ROTATION	TERMINALS				
			VOLTS	HERTZ	VOLTS	CONSTANT CURRENT LOAD		CONSTANT IMPEDANCE LOAD		KNOB ON BASE END		KNOB ON RADIATOR END		
						MAX. AMP.	MAX. KVA	MAX. AMP.		MAX. KVA	INPUT	OUTPUT	INPUT	OUTPUT
MANUALLY OPERATED	MOTOR DRIVEN*													
10C-40 10C-40-2† 10C-40-3†		#1	40	60	0-40	7	0.28	9	0.36	CW	1-2	1-3	—	—
21-40 21-40-2† 21-40-3†	M21-40 M21-40-2† M21-40-3†	#2	40	60	0-40	18	0.72	22	0.88	CW	1-4	3-4	1-4	1-3
116CU-40 116CU-40-2† 116CU-40-3†	M116CU-40 M116CU-40-2† M116CU-40-3†	#2	40	60	0-40	25	1.0	30	1.2	CW	1-4	3-4	1-4	1-3
										CCW	1-4	1-3	1-4	3-4

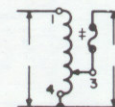
*Motor-driven types use connections for CCW rotation, knob on radiator end.

†Ratings given apply separately to each unit in assembly.

‡Fuse recommended, not supplied.

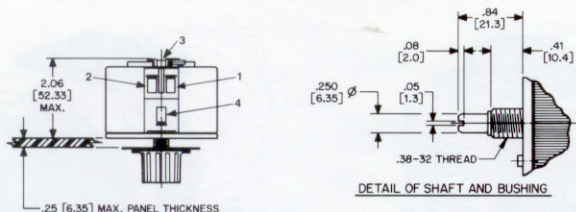


CONNECTION 1

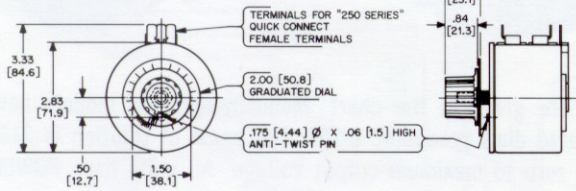


CONNECTION 2

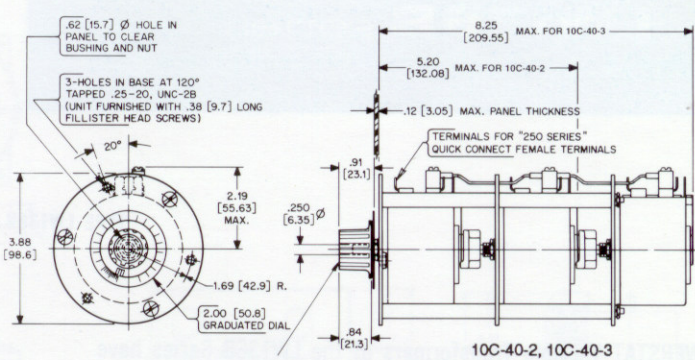
CONNECTIONS SHOWN ARE FOR CW KNOB ROTATION, KNOB ON BASE END



DETAIL OF SHAFT AND BUSHING

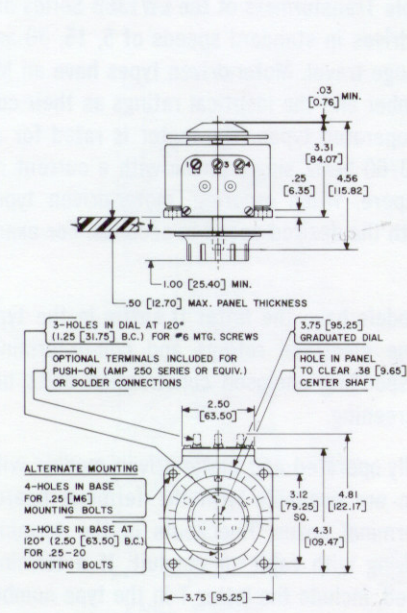


10C-40

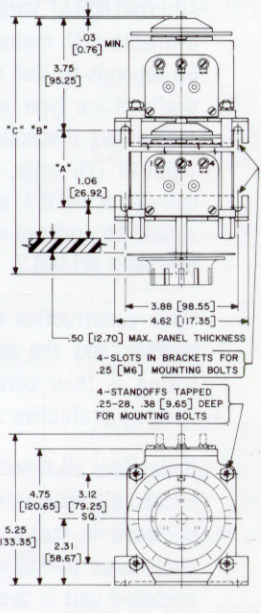


10C-40-2, 10C-40-3

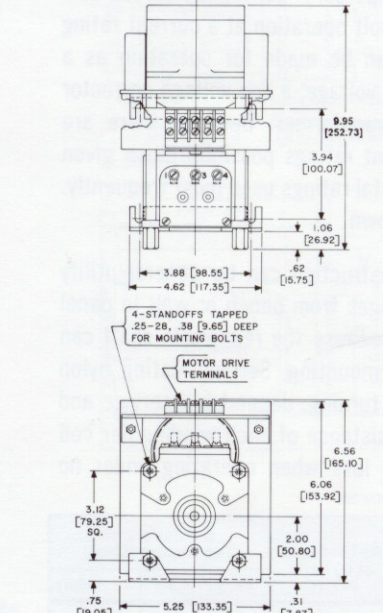
TYPE	*A*	*B*	*C*	*D*	*E*
2-GANG	2.69 [68.32]	7.50 [190.50]	8.75 [222.25]	7.38 [187.45]	13.39 [340.11]
3-GANG	6.12 [155.45]	10.94 [277.87]	12.19 [309.63]	10.81 [274.57]	16.83 [427.48]



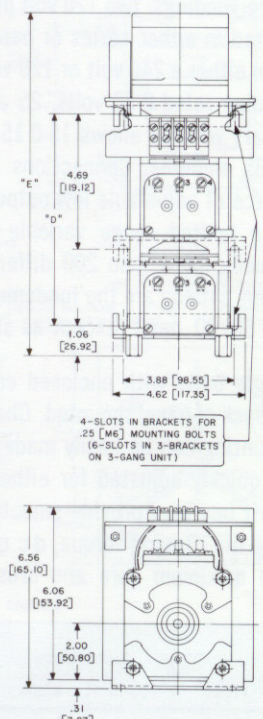
21-40



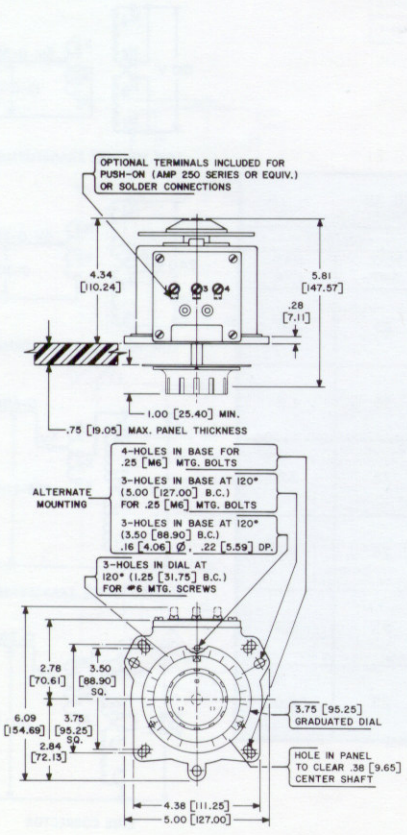
21-40-2, 21-40-3



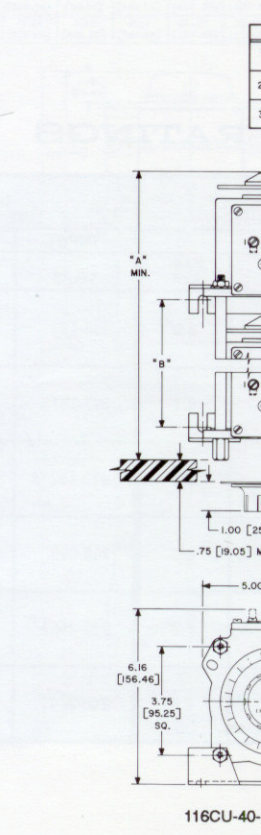
M21-40



M21-40-2, M21-40-3

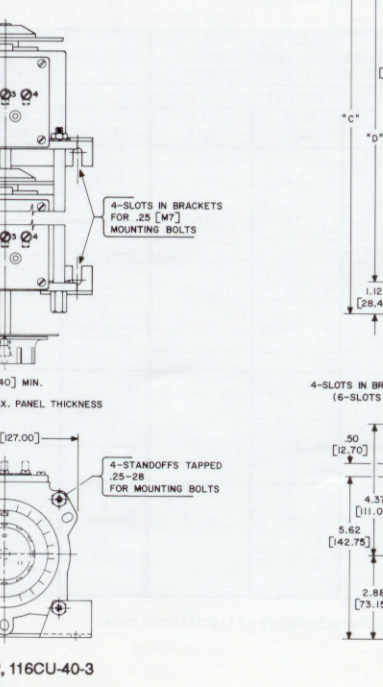


116CU-40



116CU-40-2, 116CU-40-3

TYPE	*A*	*B*	*C*	*D*
SINGLE UNIT			12.24 [310.90]	5.53 [140.46]
2-GANG	10.00 [254.00]	4.44 [112.78]	17.14 [435.36]	10.44 [265.16]
3-GANG	14.88 [377.95]	9.34 [237.24]	22.05 [560.07]	15.34 [389.64]



M116CU-40

M116CU-40-2, M116CU-40-3