



Model A95UF User Guide

MODEL A95UF LINE MATCHING TRANSFORMER

The Shure Model A95UF is a reversible line matching transformer that can match low impedance microphones to high impedance inputs, or match high impedance microphones to low impedance inputs. The A95UF lets you use long runs of cable with either low impedance or high impedance microphones. However, when connecting the high impedance end of the A95UF to a high impedance microphone, the cable should be no more than 4.6 m (15 ft.) long. The A95UF prevents high frequency attenuation, level loss, and pickup of noise or hum.

The A95UF can be configured for two low impedance settings: 19 Ω to 75 Ω , or 75 Ω to 300 Ω . As supplied, the low impedance end is configured for 75 Ω to 300 Ω .

The A95UF is furnished with a female XLR connector at the low impedance end, and a standard 1/4-inch phone plug and a phone jack adapter at the high impedance end.

LOW IMPEDANCE SELECTION

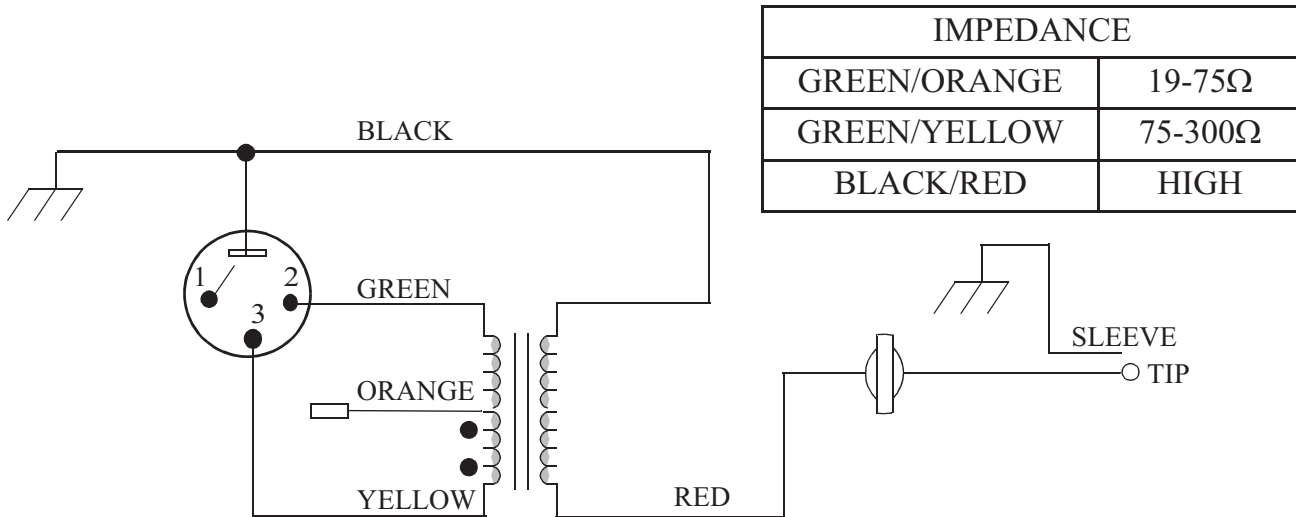
As supplied, the low impedance end of the A95UF is configured for use with inputs rated at 75 Ω to 300 Ω . To reconfigure the low impedance end for inputs rated at 19 Ω to 75 Ω , refer to the figure below and proceed as follows:

1. Remove the low-impedance plug element by turning the screw counter-clockwise and withdrawing the element from the case.
2. Unsolder the YELLOW lead from pin 3 and insulate the bare wire at the end of the lead with the insulator from the ORANGE lead.
3. Solder the ORANGE lead to pin 3.
4. Rotate the plug element three turns to twist the leads, and replace the element in the housing. Reinstall the screw by turning it clockwise.

©2009 Shure Incorporated
27D1926 (Rev. 3)



Printed in U.S.A.



SPECIFICATIONS

Frequency Response

20 Hz to 20 kHz. Response at 20 Hz no more than 3 dB down from flat.

Impedance

Green/Orange winding: Low Z (19 to 75Ω)

Green/Yellow winding: Low Z (75 to 300Ω)

Black/Red winding: High Z (41,000Ω)

DC Resistance

Green/Orange winding: 37.5Ω

Green/Yellow winding: 75Ω

Black/Red winding: 4300Ω

Voltage Ratio

Low to High Impedance: +28 dB at 19Ω to 75Ω

+22 dB at 75Ω to 300Ω

High to Low Impedance: -28 dB at 19Ω to 75Ω

-28 dB at 75Ω to 300Ω

Maximum Recommended Input Levels

Mic/Input Impedance	A95UF Winding	Max. Level
33 Ω	Green/Orange (19 Ω to 75 Ω)	0.5 V
200 Ω	Green/Yellow (75 Ω to 300 Ω)	1.0 V
600 Ω	Black/Red	10.0 V
5,000 Ω	Black/Red	10.0 V
33,000 Ω	Black/Red	10.0 V

Case

Full magnetic shield; steel with gray enamel finish

Dimensions

19 mm (0.75 in.) diameter; 89 mm (3.5 in.) long without adapters

LIMITED WARRANTY

Shure Incorporated ("Shure") hereby warrants to the original consumer purchaser only that this product will be free in normal use of any defects in materials and workmanship for a period of two (2) years from the consumer's original date of purchase directly from Shure or from a Shure-authorized reseller. At its sole option, Shure will repair or replace the defective product and promptly return it to you. In order for this warranty to be valid, the consumer must, at the time the product is returned, provide proof of purchase in the form of the original purchase receipt directly from Shure or from a Shure-authorized reseller. If Shure elects to replace the defective product, then Shure reserves the right to replace the defective product with another product of the same model or a model of at least comparable quality and features in Shure's sole determination.

If you believe this product is defective within the warranty period, carefully repack the unit, insure it and return it with proof of purchase, postage prepaid, to Shure Incorporated, Attention: Service Department, at the address below.

Outside of the United States, return the product to your dealer or Authorized Service Center. Addresses are listed on www.Shure.com or can be obtained by contacting Shure at the address listed below.

This warranty is not transferable. This warranty does not apply in cases of abuse or misuse of the product, use contrary to Shure's instruction, ordinary wear and tear, an act of God, negligent use, purchase from a party other than Shure or a Shure-authorized reseller, unauthorized repair, or modification of the product.

ALL IMPLIED WARRANTIES OF MERCHANTABILITY OR FITNESS FOR A PARTICULAR PURPOSE ARE HEREBY DISCLAIMED TO THE EXTENT PERMITTED UNDER APPLICABLE LAWS AND, TO THE EXTENT NOT PERMITTED, ARE HEREBY LIMITED TO THE DURATION AND TERMS OF THIS WARRANTY.

SHURE ALSO HEREBY DISCLAIMS ALL LIABILITY FOR INCIDENTAL, SPECIAL, OR CONSEQUENTIAL DAMAGES.

Some states do not allow limitations on how long an implied warranty lasts, or the exclusion or limitation of incidental or consequential damages, so the above limitation may not apply to you. This warranty gives you specific legal rights, and you may have other rights which vary from state to state.

This warranty does not restrict the rights of the consumer mandated under applicable laws.

THIS WARRANTY SUPERSEDES ALL OTHER WARRANTIES THAT ARE ASSOCIATED OR INCLUDED WITH THIS PRODUCT.

Shure Incorporated
Attention: Service Department
5800 W. Touhy Avenue
Niles, IL 60714-4608 U.S.A.

SHURE®

*SHURE Incorporated <http://www.shure.com>
United States, Canada, Latin America, Caribbean:
5800 W. Touhy Avenue, Niles, IL 60714-4608, U.S.A.
Phone: 847-600-2000 U.S. Fax: 847-600-1212 Intl Fax: 847-600-6446
Europe, Middle East, Africa:
Shure Europe GmbH, Phone: 49-7131-72140 Fax: 49-7131-721414
Asia, Pacific:
Shure Asia Limited, Phone: 852-2893-4290 Fax: 852-2893-4055*