



product details

HTM 70/230-240 UNV1

Product description: HTM 70/230-240 UNV1
 EAN/ Product: 4050300442310
 Quantity: Unpacked (UNV) contains 1 Piece (PCE)

You can find this product in the eCatalog:
http://catalog.myosram.com?~language=EN&~country=COM&it_p=4050300442310

Applications	
Dimmable	Yes
Dimmer	trailing or leading edge phase control for inductive load dimmers
Type of protection	IP20
Protection against ignition and fire	F, MM
Short-circuit protection	automatic reversible
Overload protection	automatic reversible
Overtemperature protection	automatic reversible

General Description	
Design / version	compact
SEG no.	5280327
Standards	acc. to EN 55015 acc. to EN 61000-3-2 acc. to EN 61547 acc. to EN 61347 acc.to EN 61047
SstI-Number	4031017

Technical - Electrical Data	
Operating frequency	≈ 52 kHz
Mains frequency	50-60 Hz
Device power loss	... 4 W ¹⁾
Lamp wattage	20 ... 70 W
Power factor c	0.99
Nominal voltage	230-240 V
Output voltage	11.2 (70 W)/11.2 (20 W) V
IP inrush current	0.3 A
Max. no. of ECGs on circuit breaker 10A	37
Max. no. of ECGs on circuit breaker 16A	59

Technical - Geometries	
Width	52 mm
Height	33 mm
Wire preparation length, output side	cable sheath 12 mm, wire 7 mm
Wire preparation length, input side	cable sheath 12 mm, wire 7 mm
Length	108 mm
Max. cable length - system in meters	2 m

Technical - Temperatures	
Max. casing temp. in case of fault	110 °C
Max. operating temp. at the Tc point	80 °C
Ambient temperature range	0 ... +50 °C
Storage temperature	-40 ... 85 °C
Relative humidity	5 ... 85 % ²⁾

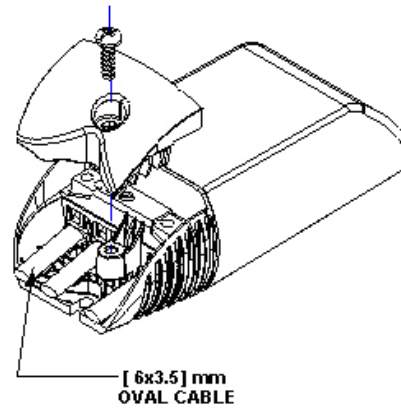
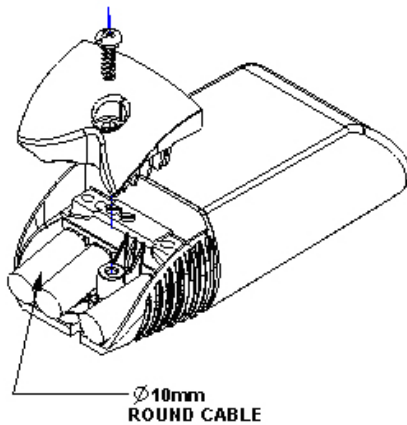
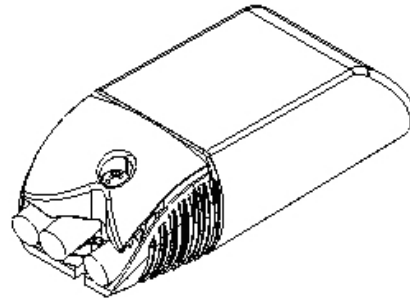
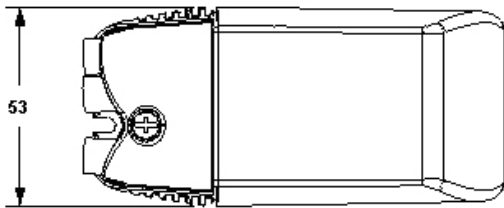
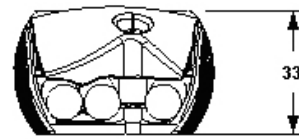
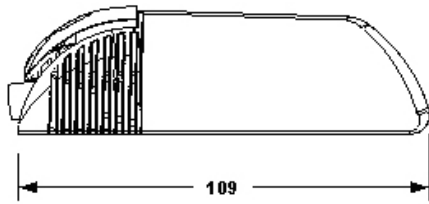


product details

HTM 70/230-240 UNV1

Packaging units				
EAN	Packaging type and content	Dimensions in h x w x l	Gross weight	Volume
4050300442310	Unpacked contains 1 Piece	53,000 mm x 33,000 mm x 108,000 mm	108,000 g (0,000 g)	0,189 Cubic dec.
4050300442327	Shipping carton box contains 20 Piece	229,000 mm x 94,000 mm x 270,000 mm	2.396,000 g (0,000 g)	5,812 Cubic dec.

- 1) maximum
- 2) max. 56 d/y at 85%



- Use the same cable diameter for primary and secondary side.
- A single secondary cable is possible (free choice of the terminal pair)

Wire stripping:
Sheath = 12mm [A]
Conductors = 7mm [B]

