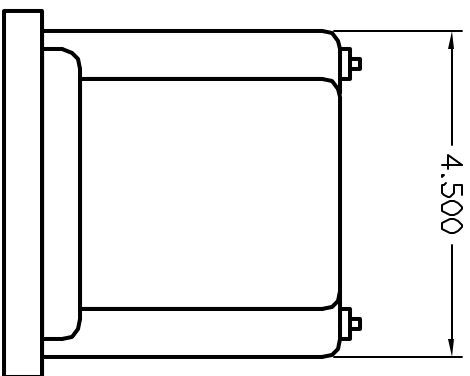
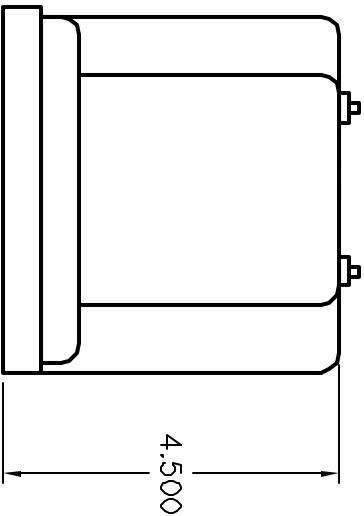
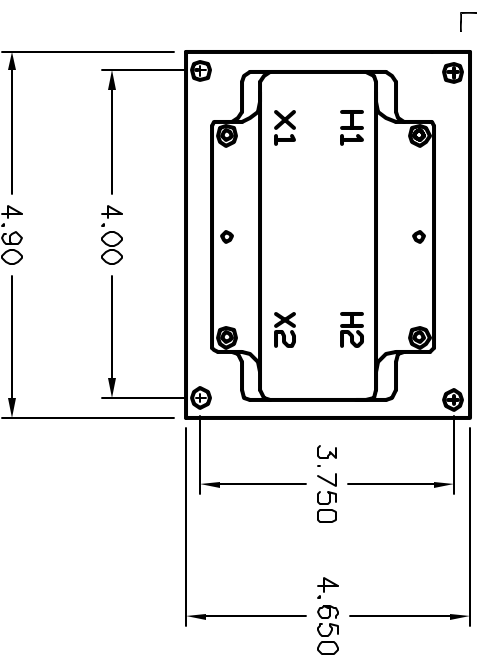


ALL RIGHTS RESERVED. NO PORTION OF THIS PUBLICATION, WHETHER IN WHOLE OR IN PART CAN BE REPRODUCED WITHOUT THE EXPRESS WRITTEN CONSENT OF SPC TECHNOLOGY.

SPC-F005.DWG

REVISIONS		DWG. NO.	SPC-F005	Effective 7/8/02	DWG. No. 1308			
DWG #	REV	DESCRIPTION	DRAWN	DATE	CHECK'D	DATE	APPR'VD	DATE
1941		Released	JWM	1/8/02	JN	03/20/08	JN	03/20/08

(4) HOLES  
0.312 DIA.



- NOTES:
- Frequency: 60 HZ
  - Standard Secondary Voltage: 120 Volts
  - Accuracy Class: 0.6W, 1.2X at 60 Hz
  - Thermal Rating: 150 VA at 30°C amb., 100 VA at 55°C amb.
  - Insulation Class: 0.6 KV, 10 KV BIL full wave
  - Terminals are brass No. 10-32
  - It is desirable to use a 1.5 amp fuse in the secondary to protect the transformer
  - Fully encapsulated

SPC Type No.	Voltage Rating	Turns Ratio	ANSI Designation
SPC5126	208:120	1.73:1	ANSI C57.13 Group 1
SPC5125	240:120	2:1	
SPC5127	288:120	2.4:1	
SPC5128	480:120	4:1	ANSI C57.13 Group 2

DISCLAIMER:  
ALL STATEMENTS AND TECHNICAL INFORMATION CONTAINED HEREIN ARE BASED UPON INFORMATION AND/OR TESTS WE BELIEVE TO BE ACCURATE AND RELIABLE. SINCE CONDITIONS OF USE ARE BEYOND OUR CONTROL, THE USER SHALL DETERMINE THE SUITABILITY OF THE PRODUCT FOR THE INTENDED USE AND ASSUME ALL RISK AND LIABILITY WHATSOEVER IN CONNECTION THEREWITH.

TOLERANCES:  
UNLESS OTHERWISE SPECIFIED, DIMENSIONS ARE FOR REFERENCE PURPOSES ONLY.

DRAWN BY:	DATE:
Jeff McVicker	1/8/03
CHECKED BY:	DATE:
Jason Nash	03/20/08
APPROVED BY:	DATE:
Jason Nash	03/20/08

DRAWING TITLE:		Potential Transformers	
SIZE	DWG. NO.	ELECTRONIC FILE	REV
A	TA-560	TA-560	
SCALE:	NTS	U.O.M.: INCHES [mm]	SHEET: 1 OF 1