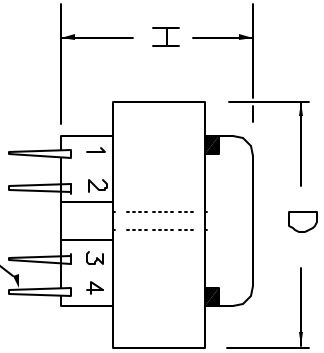


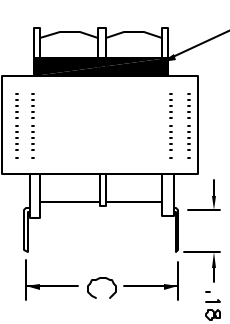
ALL RIGHTS RESERVED. NO PORTION OF THIS PUBLICATION, WHETHER IN WHOLE OR IN PART CAN BE REPRODUCED WITHOUT THE EXPRESS WRITTEN CONSENT OF SPC TECHNOLOGY.

SPC-F008.DWG

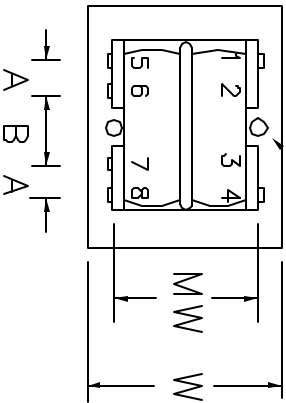
REVISIONS		DOC. NO. SPC-F008	Effective 7/8/02		DGP No: 1308	
DGP #	REV	DESCRIPTION	DRAWN	DATE	CHECKD	DATE
1977	A	Released	JWM	1/31/08	JN	07/21/08
					JN	07/21/08



SKIRT, (2) PLACES
(OPTIONAL)



TERMINAL DIAMETER: 0.018 X 0.041
(8) PLACES



Physical Dimensions

H	D	W	MW	C	L	A	B
1.312	1.625	1.312	1.063	1.280	0.234	0.250	0.350

TOLERANCES:
UNLESS OTHERWISE SPECIFIED, DIMENSIONS ARE FOR REFERENCE PURPOSES ONLY.

DISCLAIMER:
ALL STATEMENTS AND TECHNICAL INFORMATION CONTAINED HEREIN ARE BASED UPON INFORMATION AND/OR TESTS WE BELIEVE TO BE ACCURATE AND RELIABLE. SINCE CONDITIONS OF USE ARE BEYOND OUR CONTROL, THE USER SHALL DETERMINE THE SUITABILITY OF THE PRODUCT FOR THE INTENDED USE AND ASSUME ALL RISK AND LIABILITY WHATSOEVER IN CONNECTION THEREWITH.

DRAWN BY:	DATE:
Jeff McVicker	1/31/06
CHECKED BY:	DATE:
Jason Nash	07/21/08
APPROVED BY:	DATE:
Jason Nash	07/21/08

DRAWING TITLE:		DRAWING FILE	
Transformer, PC Board, Split Bobbin		10M5576.dwg	
SIZE	DWG. NO.	REV	
A	SPC20972	A	
SCALE:	NTS	SHEET:	1 OF 1
U.O.M.: INCHES [mm]			

Electrical Characteristics

Primary

Pri #1: 115v +/-10%REQ: (50, 60)Hz

Pri #2: 115v +/-10%REQ: (50, 60)Hz

Secondary

Series 20vct @ 300mARMS

Parallel 10v @ 0.600ARMS

REGULATION: 27.2% APPROX

Transformer Isolation

Pri/Sec 2500v Wind/Core 2500v

Pri/Pri 500v Sec/Sec 500v

