

HSZ Series Industrial Control Transformers

The HSZ series of industrial control transformers are designed for applications requiring special mounting and are available in ratings from 1 through 10 KVA.

Features

- UL Class 180°C insulation system, 80°C temperature rise under full load
- Meets or exceeds NEMA regulation standards
- Copper magnet wire windings
- Encapsulated

Available Styles

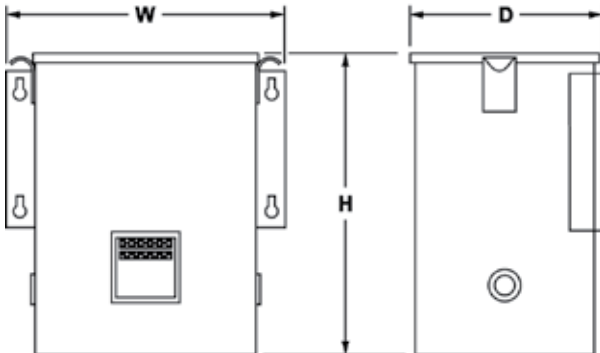
- NEMA 3R (rain proof)
- NEMA 4 (wash down & dust proof)
- NEMA 4X (corrosion proof)
- NEMA 12 (dust proof)



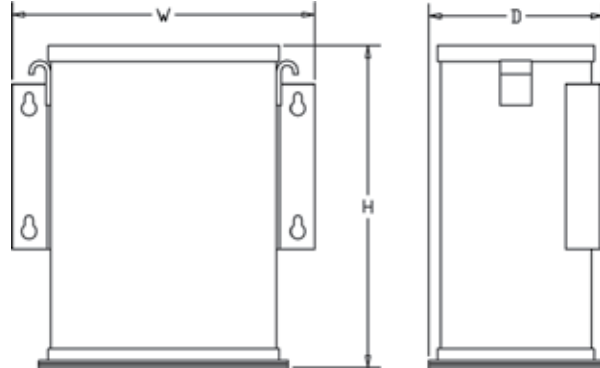
Related Products

- Linear Power Supplies
- DIN Rail DC Power Supplies
- Constant Voltage Transformers
- Line Reactors

HSZ Design Style 1 - NEMA 3R



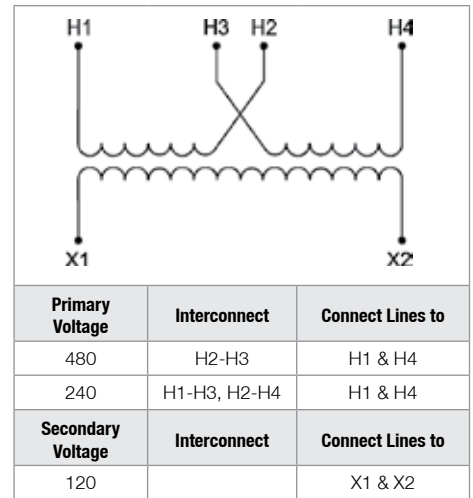
HSZ Design Style 2 - NEMA 12, NEMA 4, NEMA 4X



HSZ Series Selection Tables and Electrical Connections

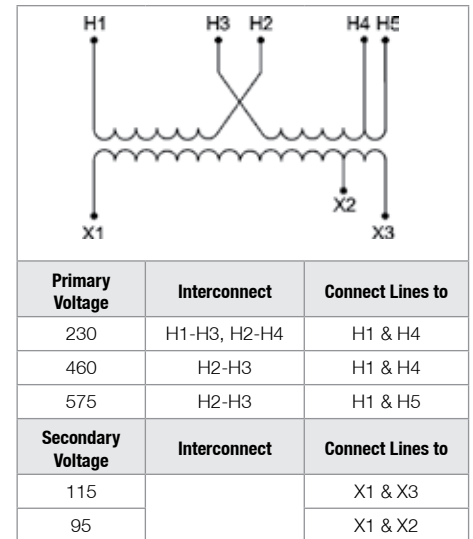
Group 1 – 240/480, 230/460, 220/440 Volt Primary, 120/115/110 Volt Secondary, 50/60 Hz

KVA	Catalog Number NEMA-3R	Catalog Number NEMA-4/12	Catalog Number NEMA-4X	Height (inch)	Width (inch)	Depth (inch)	Approx. Ship Weight lbs (kg)
1	HZ1000	HZ12-1000	HZ4X-1000	12	10	7	43 (19.55)
1.5	HZ1500	HZ12-1500	HZ4X-1500	12	10	7	55 (25.00)
2	HZ2000	HZ12-2000	HZ4X-2000	12	10	7	68 (30.91)
3	HZ3000	HZ12-3000	HZ4X-3000	17	14	9	108 (49.09)
5	HZ5000	HZ12-5000	HZ4X-5000	17	14	9	138 (62.73)
7.5	HZ7500	HZ12-7500	HZ4X-7500	17	14	9	173 (78.64)
10	HZ10000	HZ12-10000	HZ4X-10000	17	17	12	210 (95.45)



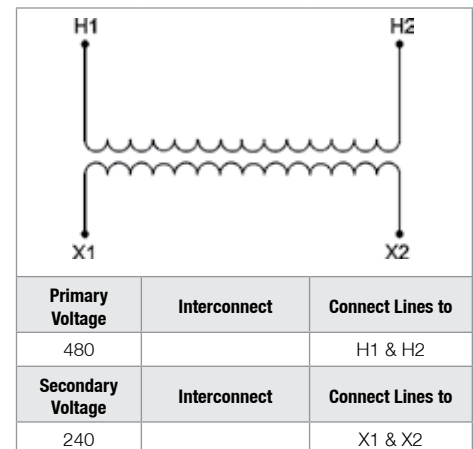
Group 2 – 230/460/575 Volt Primary, 115/95 Volt Secondary, 50/60 Hz

KVA	Catalog Number NEMA-3R	Catalog Number NEMA-4/12	Catalog Number NEMA-4X	Height (inch)	Width (inch)	Depth (inch)	Approx. Ship Weight lbs (kg)
1	HZ1000A	HZ12-1000A	HZ4X-1000A	12	10	7	43 (19.55)
1.5	HZ1500A	HZ12-1500A	HZ4X-1500A	12	10	7	55 (25.00)
2	HZ2000A	HZ12-2000A	HZ4X-2000A	12	10	7	68 (30.91)
3	HZ3000A	HZ12-3000A	HZ4X-3000A	17	14	9	108 (49.09)
5	HZ5000A	HZ12-5000A	HZ4X-5000A	17	14	9	138 (62.73)
7.5	HZ7500A	HZ12-7500A	HZ4X-7500A	17	14	9	173 (78.64)
10	HZ10000A	HZ12-10000A	HZ4X-10000A	17	17	12	210 (95.45)



Group 3 – 480 Volt Primary, 240 Volt Secondary, 50/60 Hz

KVA	Catalog Number NEMA-3R	Catalog Number NEMA-4/12	Catalog Number NEMA-4X	Height (inch)	Width (inch)	Depth (inch)	Approx. Ship Weight lbs (kg)
1	HZ1000R	HZ12-1000R	HZ4X-1000R	12	10	7	43 (19.55)
1.5	HZ1500R	HZ12-1500R	HZ4X-1500R	12	10	7	55 (25.00)
2	HZ2000R	HZ12-2000R	HZ4X-2000R	12	10	7	68 (30.91)
3	HZ3000R	HZ12-3000R	HZ4X-3000R	17	14	9	108 (49.09)
5	HZ5000R	HZ12-5000R	HZ4X-5000R	17	14	9	138 (62.73)
7.5	HZ7500R	HZ12-7500R	HZ4X-7500R	17	14	9	173 (78.64)
10	HZ10000R	HZ12-10000R	HZ4X-10000R	17	17	12	210 (95.45)



Note: Contact Technical Services for lead times on enclosures.

Visit our website at www.solaheviduty.com or contact Technical Services at (800) 377-4384 with any questions.