

ALL RIGHTS RESERVED. NO PORTION OF THIS PUBLICATION, WHETHER IN WHOLE OR IN PART CAN BE REPRODUCED WITHOUT THE EXPRESS WRITTEN CONSENT OF SPC TECHNOLOGY.

REVISIONS			DOC. NO. SPC-F005 * Effective: 12/21/98 * DCP No: 680					
DCP #	REV	DESCRIPTION	DRAWN	DATE	CHECKD	DATE	APPRVD	DATE
26	A	RELEASED	JAP	5/21/96	JC	8/23/96	BB	8/30/96

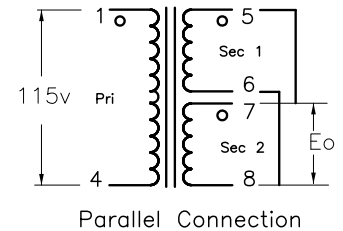
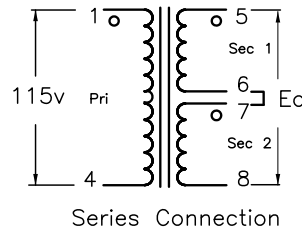
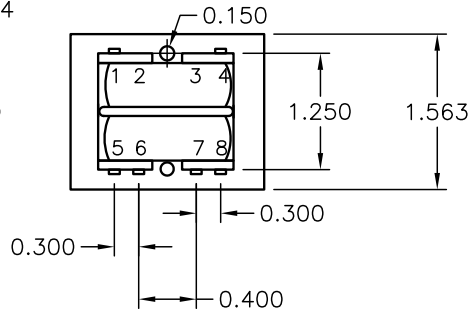
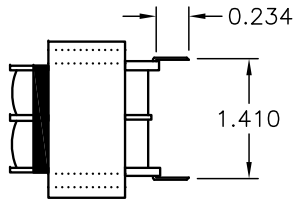
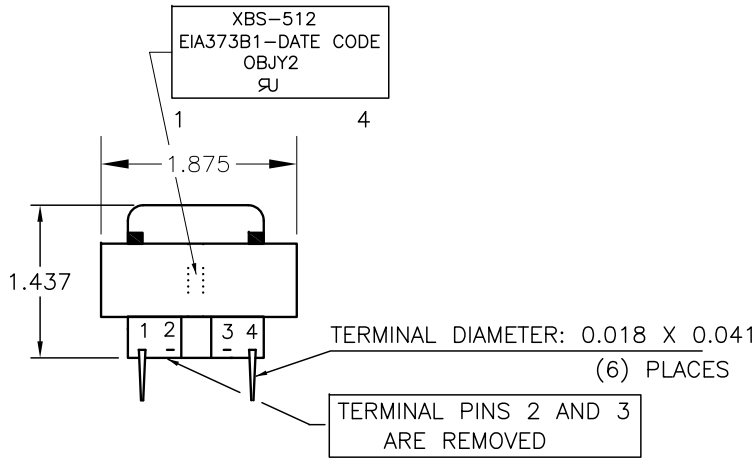


Electrical Characteristics

Primary  
115v +/-10% REQ:  
(50,60)Hz

Secondary  
Series 12.6vct @1.0ARMS  
Parallel 6.3v @ 2.0ARMS  
REGULATION: 16.8% APPROX

Transformer Isolation  
Pri/Sec 2500v  
Sec/Sec 500v  
Wind/Core 2500v



**DISCLAIMER:**  
ALL STATEMENTS AND TECHNICAL INFORMATION CONTAINED HEREIN ARE BASED UPON INFORMATION AND/OR TESTS WE BELIEVE TO BE ACCURATE AND RELIABLE. SINCE CONDITIONS OF USE ARE BEYOND OUR CONTROL, THE USER SHALL DETERMINE THE SUITABILITY OF THE PRODUCT FOR THE INTENDED USE AND ASSUME ALL RISK AND LIABILITY WHATSOEVER IN CONNECTION THEREWITH.



**SPC TECHNOLOGY**

UNLESS OTHERWISE SPECIFIED, DIMENSIONS ARE FOR REFERENCE PURPOSES ONLY.

DRAWN BY:	JAP	DATE:	5/21/96
CHECKED BY:	JC	DATE:	8/23/96
APPROVED BY:	BB	DATE:	8/30/96

DRAWING TITLE: <b>PC Board Transformer</b>			
SIZE	DWG. NO.	ELECTRONIC FILE	REV
A	<b>SPC20958</b>	10M5562.dwg	A
SCALE: NTS	U.O.M.: INCHES [mm]	SHEET: 1 OF 1	