

Cleaning:

- > Clean this product only with a soft dry cloth
- > Do not use any chemical or abrasive cleaners.

Eventually, you may want to replace this transformer:

When your light fitting comes to the end of its life or you choose to update or upgrade it by replacing it, please do not dispose of it with your normal household waste, please recycle where facilities exist. When you need to dispose of this fitting, check with your retailer or local authority for suitable options. New regulations will encourage the recycling of Waste from Electrical and Electronic Equipment (European "WEEE Directive" effective August 2005).



If you experience problems:

If your transformer is defective or develops a fault, please return it to the place where you bought it. You can call our Helpline for advice. The Helpline will gladly give advice on any aspect of any Eterna Lighting product but may not be able to give specific instructions regarding individual installations. **If in doubt, consult a qualified electrician.**

Help line:

Tel: 01933 673 144 Fax: 01933 678 083 Email: sales@eterna-lighting.co.uk
For answers to frequently asked questions (FAQs) and other information visit our web-site
www.eterna-lighting.co.uk



IMPORTANT !

Safety and Installation instructions

35—105W Electronic
step down transformer.

Model(s)
D033, D034

Pack contents:

D033

Electronic transformer complete with:

Mini-Amp socket box,

Eterna © Link&Light mains lead.

D034

Electronic transformer complete with:

Mini-Amp socket box,

2m flexible mains lead (not terminated).

**PLEASE READ THESE INSTRUCTIONS BEFORE
INSTALLING YOUR NEW FITTING**

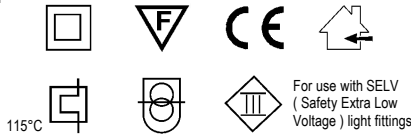
PLEASE RETAIN FOR FUTURE REFERENCE

Read this first:

- > If in any doubt, consult a qualified electrician.
- > Suitable for indoor use only.
- > This product is only suitable for use in living areas (not for areas constantly subject to moisture).
- > This product is suitable for installation on surfaces with normal flammability (indicated by the "F" in a triangle) e.g. wood, plasterboard, masonry. It is not suitable for use on highly flammable surfaces (e.g. polystyrene, textiles).
- > Do not overload the transformer, check that the total Wattage of all fittings does not exceed the maximum marked on the transformer.
- > If the location of your new transformer requires the provision of a new electrical supply, the supply must conform with the requirements of the latest edition of the IEE wiring regulations.
- > Do not cover the transformer with any insulating materials.
- > Switch off the mains before commencing installation and remove the appropriate circuit fuse.
- > Make connections to the electrical supply in accordance with the following code:
Live - Brown or Red
Neutral - Blue or Black
Additional red wires may be present in your ceiling that are connected to the ring live circuit. Do not connect your transformer to these wires. If these wires are not terminated in a ceiling rose, join them together in a separate terminal block (not supplied), ensure that there are no strands of wire protruding from the terminals and wrap well with insulating tape.
- > This product is designed for permanent connection to fixed wiring: this should be either a suitable lighting circuit (protected with a 5 or 6 Amp MCB or fuse) or a fused spur (with a 3

- Amp fuse) via a fused connection unit. We recommend that the supply incorporates a switch for ease of operation.
- > This transformer is double insulated, do not connect any part to earth.
- > Do not connect to a circuit which also has inductive loads connected as spikes generated switching inductive loads may damage electronic components within your transformer.
- > Ensure that the transformer will be accessible after installation for maintenance or replacement.
- > The transformer should be placed where it cannot be splashed.
- > Do not install on surfaces which are damp, freshly painted or otherwise electrically conductive (e.g. metallic surfaces).
- > The transformer should be installed in a ventilated area free from sources of heat.
- > **Important !** Disconnect from mains before High Voltage testing. Do not flash test this product.
- > This electronic transformer will shut off the load automatically in the case of short circuit and overload. After removing the cause of the short circuit or overload, the Low Voltage supply will be restored.
- > In the event that the transformer overheats, the low voltage supply will be cut off by the operation of a thermal fuse to prevent further damage. The thermal fuse will be reset once the transformer has cooled down.
- > It is recommended that this product be used with Low Voltage compatible dimmers such as:- Varilight Intelligent, Home Automation Low Voltage and MK Intelligent Dimmer Switch.
- > Always allow good ventilation around fitting and transformer.
- > When installing intumescent downlight covers, do not place the transformer inside the fire hood.
- > **If in any doubt, consult a qualified electrician.**

Safety markings:

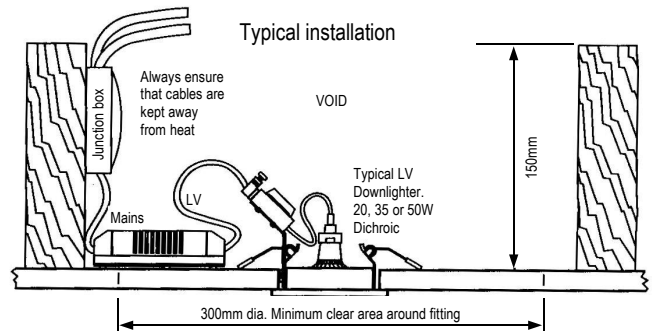


Typical installation:

- > Choose the location for your transformer. Note the conditions listed opposite.
- > Switch off the power at the mains and remove the appropriate circuit fuse.
- > We recommend the use of Eterna Lighting Low Voltage light fittings with this transformer.
- > Connect this transformer to the mains using either (D033) an Eterna @ Link&Light mains lead (not supplied) or (D034) by connecting directly to your lighting circuit—see opposite.
- > If you are using a terminal block (either D033

with Eterna @ Link&Light mains lead or D034 with fitted mains lead), ensure that connections are made according to the colour code opposite. Ensure also that there are no strands of wire protruding from the terminal block after making your connections block and wrap it well with insulating tape.

- > Connect your low voltage light fittings
- > Restore the power and switch on.



Transformer ratings	
Primary Voltage (Mains in)	240Volts 50Hz AC
Primary running current	0.46 Amps
Low Voltage (Secondary)	11.6 Volts AC
Low Voltage (VA) (Sec)	35—105 VA
Max. Sec Amps	8.8 Amps
Isolation Class	Class III SELV
IP Rating	IP20
Thermal	115°C Cut-off, resettable.
Dimmable	Yes