

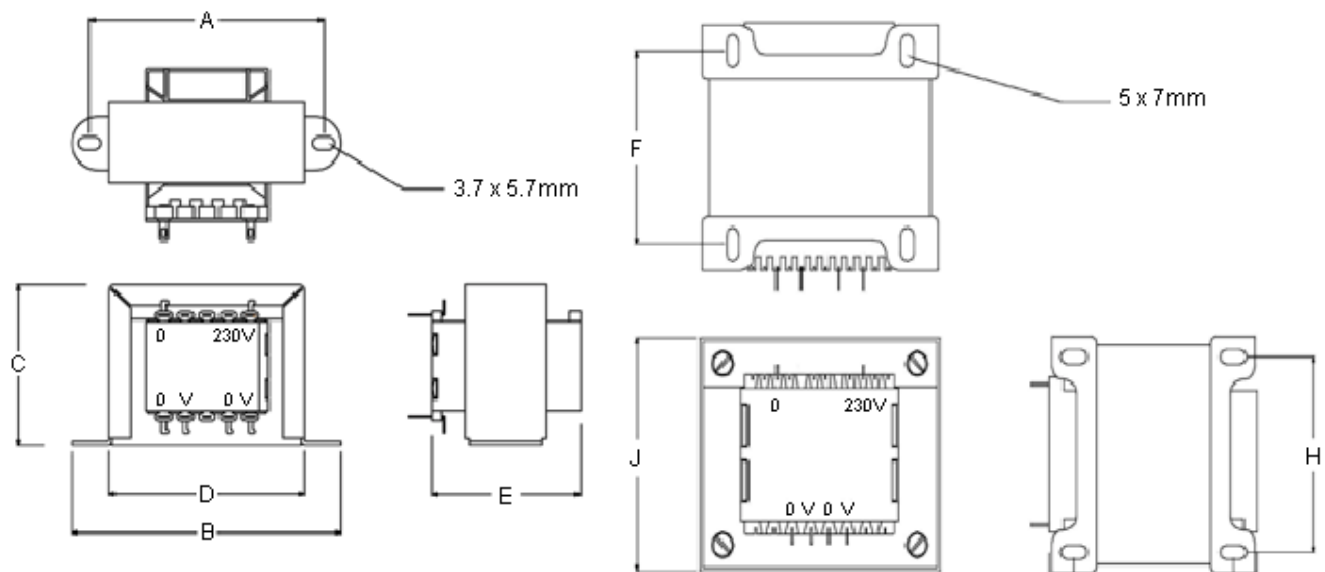
Transformers

Chassis Mount



Features:

- Single 230V primary windings.
- Double section metric bobbins.
- Power : 6 to 200VA, 50/60Hz.
- Temperature class : B (130°C).
- Dielectric strength : 3750V_{rms}.
- Manufactured and tested in accordance with EN60950 and EN61558.
- RoHS compliant.



Specifications

Maximum winding temperature	: 55°C
Overall insulation rating	: >50MΩ (at 500V, 20°C)
Flash test (isolation test)	: Primary/secondary/lamination 2.4kV _{rms}
Winding wire	: Polyurethane coated IEC317 grade 1
Tape	: 3M no 56 or 36M no 1350Y thermosetting
Core	: 400/50
Finish	: Ultimeg 3.72 clear

Dimensions

VA Rating	Reg%	A	B	C	D	E	F	G	H	I	J	K	Weight (g)
6	24	55	68	37	45	36	-	-	-	-	-	-	170
12	16	74	90	50	60	45	-	-	-	-	-	-	390
20	12					52	-	-	-	-	-	-	530
50	9	94	106	65	79	53	-	-	-	-	-	-	985

<http://www.farnell.com>
<http://www.newark.com>
<http://www.cpc.co.uk>



Transformers

Chassis Mount



Dimensions													
VA Rating	Reg%	A	B	C	D	E	F	G	H	I	J	K	Weight (g)
100	10	-	-	-	-	-	45	57	57	89	75	65	1550
150	9	-	-	-	-	-	68	72	56	102	85	85	2750
200	8	-	-	-	-	-							
Tolerance	2	±1											approximate

Specifications Table

Description	VA	Output V _{ac}	Part Number
Transformer, 6VA, 2 x 5V	6	2 x 5	CTFCS6-5
Transformer, 6VA, 2 x 6V		2 x 6	CTFCS6-6
Transformer, 6VA, 2 x 9V		2 x 9	CTFCS6-9
Transformer, 6VA, 2 x 12V		2 x 12	CTFCS6-12
Transformer, 6VA, 2 x 15V		2 x 15	CTFCS6-15
Transformer, 6VA, 2 x 18V		2 x 18	CTFCS6-18
Transformer, 6VA, 2 x 20V		2 x 20	CTFCS6-20
Transformer, 6VA, 2 x 24V		2 x 24	CTFCS6-24
Transformer, 12VA, 2 x 6V	12	2 x 6	CTFCS12-6
Transformer, 12VA, 2 x 9V		2 x 9	CTFCS12-9
Transformer, 12VA, 2 x 12V		2 x 12	CTFCS12-12
Transformer, 12VA, 2 x 20V		2 x 20	CTFCS12-20
Transformer, 12VA, 2 x 24V		2 x 24	CTFCS12-24
Transformer, 20VA, 2 x 6V	20	2 x 6	CTFCS20-6
Transformer, 20VA, 2 x 9V		2 x 9	CTFCS20-9
Transformer, 20VA, 2 x 12V		2 x 12	CTFCS20-12
Transformer, 20VA, 2 x 15V		2 x 15	CTFCS20-15
Transformer, 20VA, 2 x 18V		2 x 18	CTFCS20-18
Transformer, 20VA, 2 x 20V		2 x 20	CTFCS20-20
Transformer, 20VA, 2 x 24V		2 x 24	CTFCS20-24
Transformer, 50VA, 2 x 6V	50	2 x 6	CTFCS50-6
Transformer, 50VA, 2 x 12V		2 x 12	CTFCS50-12
Transformer, 50VA, 2 x 15V		2 x 15	CTFCS50-15
Transformer, 50VA, 2 x 18V		2 x 18	CTFCS50-18
Transformer, 50VA, 2 x 24V		2 x 24	CTFCS50-24
Transformer, 100VA, 2 x 9V	100	2 x 9	CTFCS100-9
Transformer, 100VA, 2 x 12V		2 x 12	CTFCS100-12
Transformer, 100VA, 2 x 18V		2 x 18	CTFCS100-18
Transformer, 100VA, 2 x 24V		2 x 24	CTFCS100-24
Transformer, 100VA, 2 x 50V		2 x 50	CTFCS100-50

<http://www.farnell.com>
<http://www.newark.com>
<http://www.cpc.co.uk>



Transformers

Chassis Mount



Specifications Table

Description	VA	Output V _{ac}	Part Number
Transformer, 150VA, 2 x 12V	150	2 x 12	CTFCS150-12
Transformer, 150VA, 2 x 18V		2 x 18	CTFCS150-18
Transformer, 150VA, 2 x 24V		2 x 24	CTFCS150-24
Transformer, 200VA, 2 x 9V	200	2 x 9	CTFCS200-9
Transformer, 200VA, 2 x 18V		2 x 18	CTFCS200-18
Transformer, 200VA, 2 x 24V		2 x 24	CTFCS200-24
Transformer, 200VA, 2 x 50V		2 x 50	CTFCS200-50

Disclaimer This data sheet and its contents (the "Information") belong to the Premier Farnell Group (the "Group") or are licensed to it. No licence is granted for the use of it other than for information purposes in connection with the products to which it relates. No licence of any intellectual property rights is granted. The Information is subject to change without notice and replaces all data sheets previously supplied. The Information supplied is believed to be accurate but the Group assumes no responsibility for its accuracy or completeness, any error in or omission from it or for any use made of it. Users of this data sheet should check for themselves the Information and the suitability of the products for their purpose and not make any assumptions based on information included or omitted. Liability for loss or damage resulting from any reliance on the Information or use of it (including liability resulting from negligence or where the Group was aware of the possibility of such loss or damage arising) is excluded. This will not operate to limit or restrict the Group's liability for death or personal injury resulting from its negligence. SPC pro-Power is the registered trademark of the Group. © Premier Farnell plc 2009.

<http://www.farnell.com>
<http://www.newark.com>
<http://www.cpc.co.uk>

