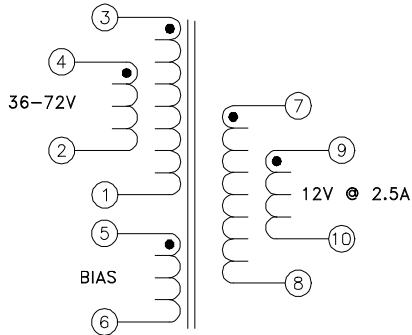
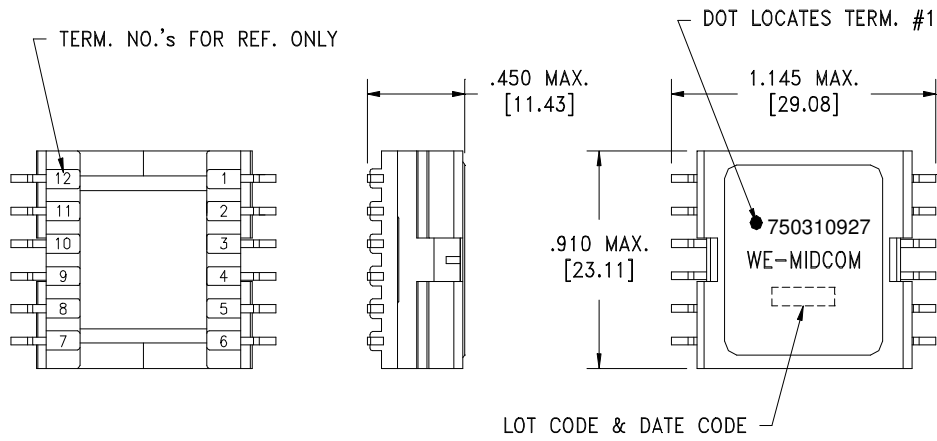
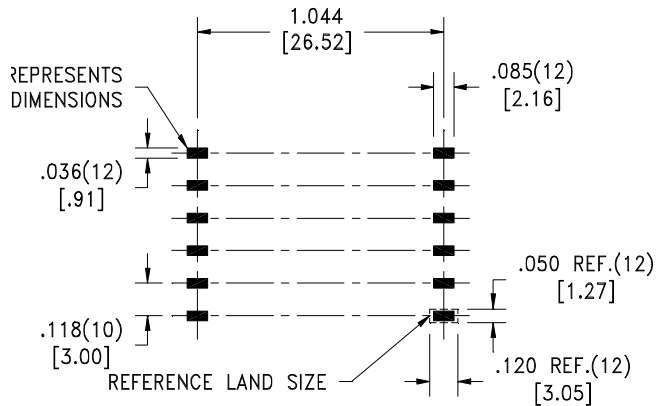


CUSTOMER TERMINAL	RoHS	LEAD(Pb)-FREE
Sn96%, Ag4%	Yes	Yes



Application of the transformer allows for the following groups of terminals to solder bridge: 1&2, 3&4, 7&9, and 8&10.



CUSTOMER TO DETERMINE LAND LAYOUT

ELECTRICAL SPECIFICATIONS @ 25°C unless otherwise noted:

- D.C. RESISTANCE (@20°C):
 1-3 (1+2,3+4), 0.150 Ohms max.
 5-6, 0.070 Ohms max.
 7-8 (7+9,8+10), 0.050 Ohms max.
- DIELECTRIC RATING: 1500VAC, 1 minute tested by applying 1875VAC for 1 second between pins 1-7(1+2+5, 7+9).
- INDUCTANCE: 112.0µH ±10%, 250kHz, 700mVAC, 0mADC, 1-3(1+2,3+4), Ls.
- LEAKAGE INDUCTANCE: 1.5µH max., 250kHz, 100mVAC, 1-3(1+2,3+4,5+6,7+8+9+10), Ls.
- TURNS RATIO:
 (3-1):(7-8), (3):(1.00), ±1%.
 (3-1):(9-10), (3):(1.00), ±1%.
 (3-1):(5-6), (6):(1.00), ±1%.
 (3-1):(4-2), (1):(1.00), ±1%.

OPERATING TEMPERATURE RANGE: -40°C to 125°C.

Midcom, Inc. Watertown, SD USA Toll Free: 800-643-2661 Fax: 605-886-4486	Unless otherwise specified, tolerances are as follows: Angles: ±1° Fractions: ±1/64 Decimals: ±.005 (.127mm)		Midcom, Inc.	
	Drawing Title <h1>Transformer</h1>		Drawing Number <h1>750310927</h1>	Rev. 01
Revisions: See Sheet 1		Scale ----	Sheet 2 of 5	
Engineer:PLP		07/09/2009		

This drawing is dual dimensioned. Dimensions in brackets are in millimeters