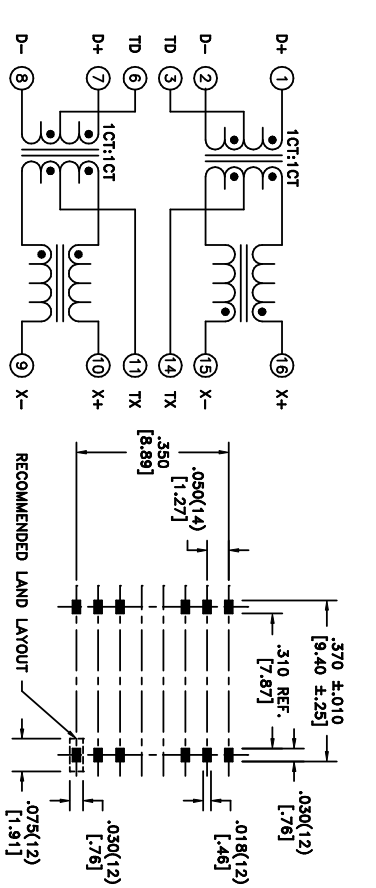
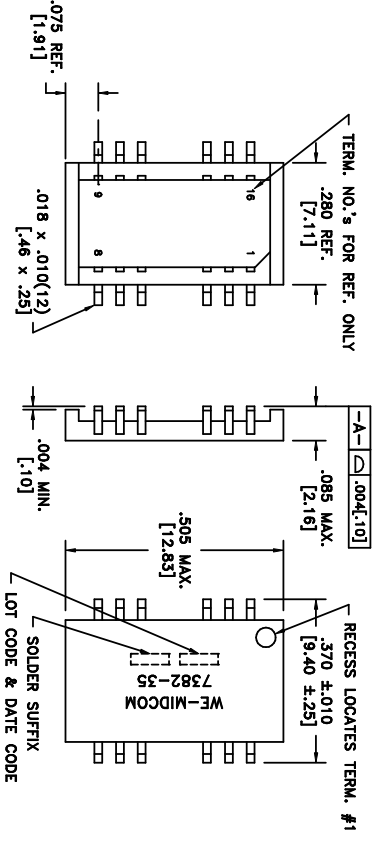


SOLDER SUFFIX	CUSTOMER TERMINAL	ROHS	LEAD(Pb)-FREE
LF1	Sn63% Pb37%	No	No
	Sn95% Ag4%	Yes	No



RECOMMENDED LAND LAYOUT
TERMINAL PAD DIMENSIONS
CUSTOMER TO DETERMINE LAND SIZE

ELECTRICAL SPECIFICATIONS @ 25°C unless otherwise noted:

INDUCTANCE: 350uH min., 100KHz, 100mV, 8mADC, 16-15; 10-9, Lp.

DIELECTRIC RATING: 1500Vrms, 1 minute tested by applying 1800Vrms for 1 second between 1-16 (le 1+8, 9+16).

TURNS RATIO & POLARITY: Per schematic.

INSERTION LOSS: -1.0dB max., 300k - 125MHz.

RETURN LOSS: -18dB min., 1M - 40MHz.
-15dB min., 40M - 80MHz.
-12dB min., 60M - 80MHz.
-10dB min., 80M - 100MHz.

CROSSTALK: -35dB min., 1M - 150MHz.

COMMON MODE REJECTION: -42dB min., 1M - 32MHz.
-33dB min., 32M - 150MHz.

OPERATING TEMPERATURE RANGE: 0°C to +70°C.

COPLANARITY: All 12 terminals must lie on a plane within .004 [10] of Surface A after lead tinning.

Midcom p/n 000-7382-35R-LF1 is eISos p/n: 749020100.

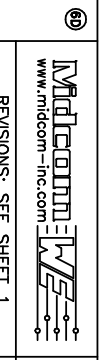
REV.	DATE
6F	8/08
6E	6/08
6D	6/07
6C	3/06
6B	2/06

Packaging Specifications

Method: Tape & Reel
PKG-0362
www.midcom-inc.com

Unless otherwise specified:
Tolerances: Fractions: ±1/64
Angles: ±1°
Decimals: ±.005 [127]
This drawing is dual dimensioned. Dimensions in brackets are in millimeter [mm]

DRAWING TITLE
TRANSFORMER
AEDFP-G16



DRAWING NO. **000-7382-35R-LF1**
REVISIONS: SEE SHEET 1
SCALE: ---
SHEET 2 OF 9

