

SIZE E16 - SINGLE OUTPUT: 5 or 12v - TRANSFORMER FOR TINYSWITCH

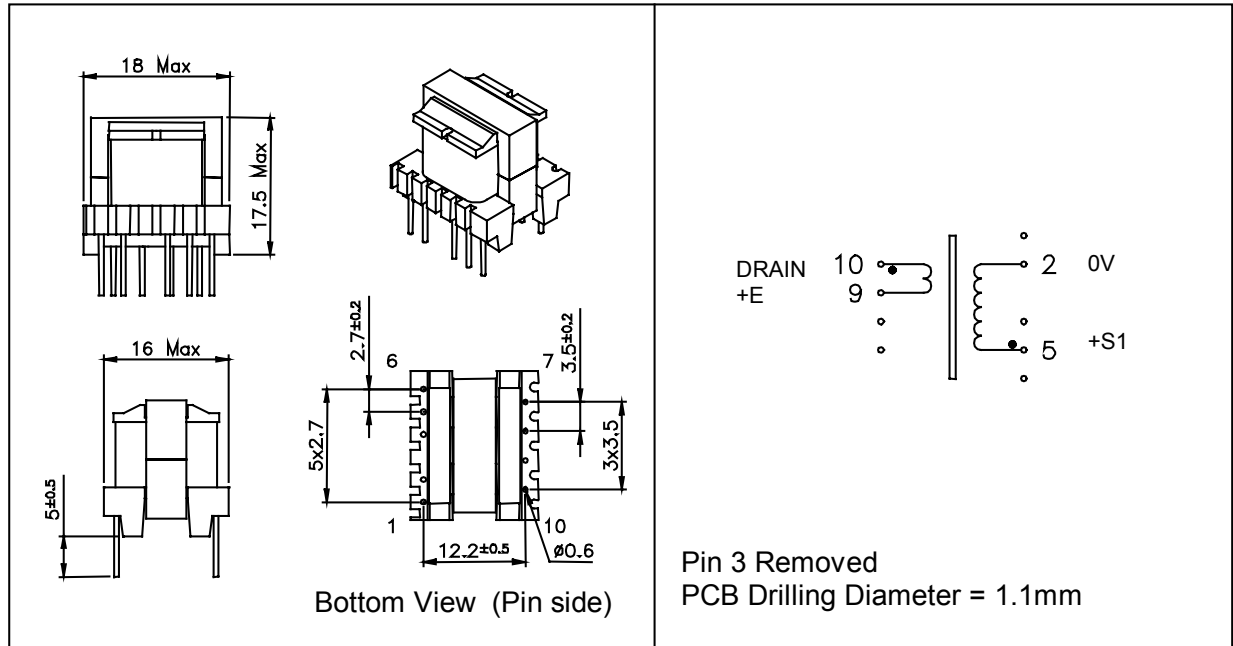
Primary / Secondary Insulation $\geq 4000V$

Creepage distance Primary / Secondary $\geq 6mm$

Ambient temperature $< 60^{\circ}C$

Construction conforms to IEC950, IEC335, IEC61558 for reinforced insulation

Exclusively uses UL94-V0 listed materials



| MYRRA P / N | Output Power maximum | Windings | | | | | |
|----------------|----------------------------|----------|--------|-------|----------------|--------------------|------------------------|
| | | | Pins | Turns | Voltage | Current maximum | Inductance (+/-10%) |
| 74094 | 9 w | Pri | 10 – 9 | 135 | 55 – 100 (VOR) | 0.48 Apeak | 2100 μ H |
| | | S1 | 5 – 2 | 9 | 3.3 – 6 Vdc | 1.5 Adc | |
| 74095 | 9 w | Pri | 10 – 9 | 135 | 65 – 125 (VOR) | 0.48 Apeak | 2100 μ H |
| | | S1 | 5 – 2 | 17 | 7.5 – 15 Vdc | 0.9 Adc | |

Examples of application with Integrated Circuits :

| MYRRA P / N | Control IC Manufacturer | Control IC P / N | Input voltage | Power | Frequency |
|----------------|----------------------------|---------------------|---------------|-------|-----------|
| 74094 | Power Integrations | TNY255 | 85 - 265Vrms | 4.2w | 44kHz |
| | Power Integrations | TNY264 | 85 - 265Vrms | 5w | 132kHz |
| | Power Integrations | TNY266 | 85 - 265Vrms | 9w | 132kHz |
| 74095 | Power Integrations | TNY255 | 85 - 265Vrms | 5w | 44kHz |
| | Power Integrations | TNY264 | 85 - 265Vrms | 5w | 132kHz |
| | Power Integrations | TNY266 | 85 - 265Vrms | 9w | 132kHz |