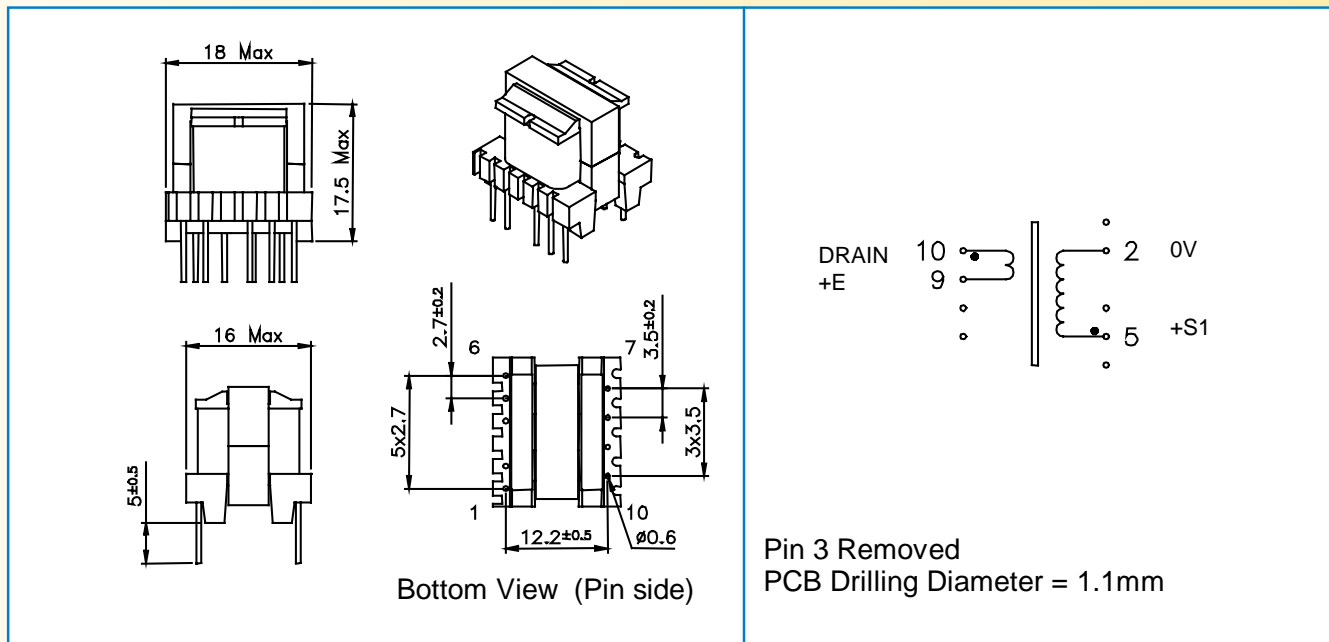




- Primary / Secondary Insulation  $\geq 4000V$
- Creepage distance Primary / Secondary  $\geq 6mm$
- Ambient temperature  $< 85^{\circ}C$
- Construction conforms to IEC950, IEC335, IEC61558 for reinforced insulation
- Exclusively uses UL94-V0 listed materials



MYRRA P / N	Output Power maximum	Windings					
			Pins	Turns	Voltage	Current maximum	Inductance (+/-10%)
74090	1.5 w	Pri	10 - 9	228	50 - 95 (VOR)	0.28 Apeak	6000µH
		S1	5 - 2	16	3.3 - 6 Vdc	0.4 A dc	
74091	1.5 w	Pri	10 - 9	228	65 - 130 (VOR)	0.28 Apeak	6000µH
		S1	5 - 2	28	7.5 - 15 Vdc	0.2 A dc	

Examples of application with Integrated Circuits :

MYRRA P / N	Control IC Manufacturer	Control IC P / N	Input voltage	Power	Frequency
74090	Power Integrations	TNY253	85 - 265Vrms	1.5w	44kHz
74091	Power Integrations	TNY253	85 - 265Vrms	1.5w	44kHz