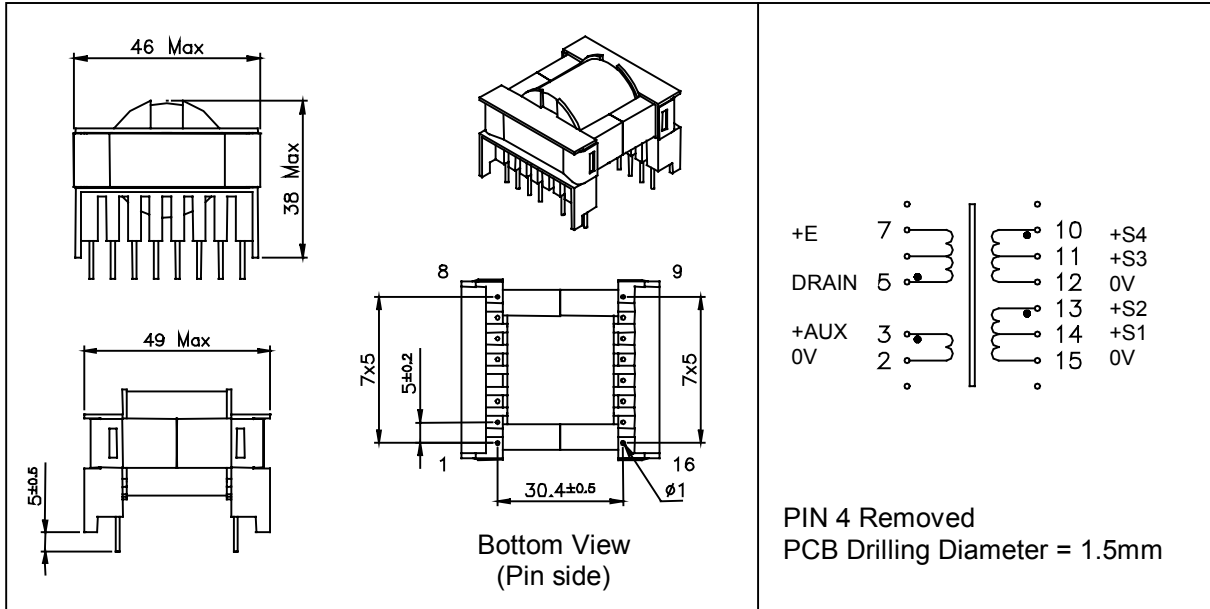


## SIZE ETD39 - 4 OUTPUTS: 5+12 / 5+12v - FLYBACK TRANSFORMER

Primary / Secondary Insulation  $\geq 4000V$   
 Primary / Auxiliary Insulation  $\geq 1500V$   
 Creepage distance Primary / Secondary  $\geq 8mm$   
 Ambient temperature  $< 50^{\circ}C$   
 Construction conforms to IEC950, IEC335, IEC61558 for reinforced insulation  
 Exclusively uses UL94-V0 listed materials



| MYRRA<br>P / N | Output<br>Power<br>maximum | Windings |         |       |                |                    |                        |
|----------------|----------------------------|----------|---------|-------|----------------|--------------------|------------------------|
|                |                            |          | Pins    | Turns | Voltage        | Current<br>maximum | Inductance<br>(+/-10%) |
| <b>74060</b>   | 140 w                      | Pri      | 5 – 7   | 36    | 65 – 125 (VOR) | 4 Apeak            | 440 $\mu$ H            |
|                |                            | Aux      | 3 – 2   | 4     | 7 – 14 Vdc     | 0.5 Adc            |                        |
|                |                            | S1       | 14 – 15 | 2     | 3.3 – 6.5      | 5 Adc              |                        |
|                |                            | S2       | 13 – 15 | 5     | 8.5 – 17 Vdc   | 5 Adc              |                        |
|                |                            | S3       | 11 – 12 | 2     | 3.3 – 6.5      | 5 Adc              |                        |
|                |                            | S4       | 10 – 12 | 5     | 8.5 – 17 Vdc   | 5 Adc              |                        |

Note : S1 / S3 or S2 / S4 can be connected in series or in parallel

Examples of application with Integrated Circuits :

| MYRRA<br>P / N | Control IC<br>Manufacturer | Control IC<br>P / N | Input voltage | Power | Frequency    |
|----------------|----------------------------|---------------------|---------------|-------|--------------|
| <b>74060</b>   | Power Integrations         | TOP247Y             | 185 - 265Vrms | 140w  | 132kHz       |
|                | Power Integrations         | TOP247Y             | 85 - 265Vrms  | 90w   | 66 or 132kHz |
|                | ST Microelectronics        | VIPer100A           | 85 - 265Vrms  | 70w   | 70kHz        |
|                | ST Microelectronics        | VIPer100A           | 185 - 265Vrms | 120w  | 100kHz       |
|                | Motorola                   | MC33374             | 85 - 265Vrms  | 70w   | 100kHz       |
|                | Motorola                   | MC33374             | 185 - 265Vrms | 120w  | 100kHz       |
|                | Infineon                   | TDA16836            | 85 - 265Vrms  | 70w   | 100kHz       |
|                | Infineon                   | TDA16836            | 185 - 265Vrms | 120w  | 100kHz       |
|                | Fairchild                  | KA1H0565R           | 85 - 265Vrms  | 70w   | 100kHz       |
|                | Fairchild                  | KA1H0565R           | 185 - 265Vrms | 120w  | 100kHz       |