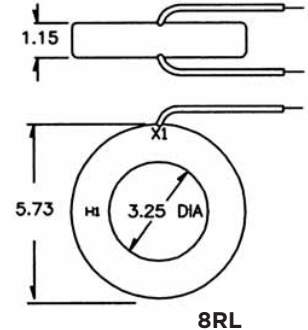
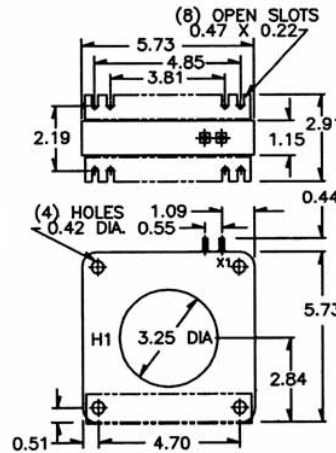
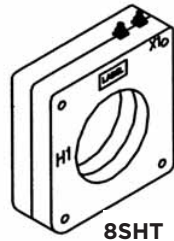
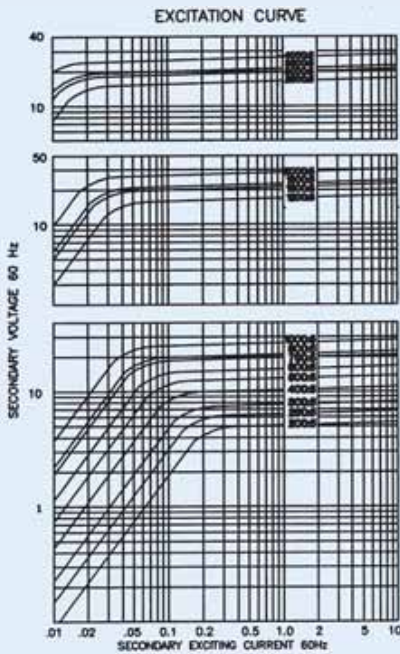


## Model 8

Window Diameter 3.25"



**Application:**  
Metering

**Frequency:**  
50-400Hz

- Insulation Level:**  
600 Volts, 10kV BIL full wave
- Terminals are brass studs No 8-32 with one flat washer, lockwasher and regular nut
  - Flexible leads are UL 1015 105°C, CSA approved, #16 AWG, 24" long
  - Non-standard length to be specified
  - Model 8SHT also available as 8SHL, with leads
  - Order mounting bracket kit separately when required for Model 8SHT
  - Approximate weight: 2.5 lbs

Approvals



Catalogue Number	Current Ratio	V.A. for ±1% class	ANSI Metering class at 60Hz					Secondary winding resistance (OHMS @ 75 °C)	Continuous thermal rating factor	
			B0.1	B0.2	B0.5	B0.9	B1.8		@30 °C	@55 °C
8*-201	200:5	5.0	1.2	1.2	2.4	4.8	4.8	0.030	2.0	2.0
8*-251	250:5*	7.5	0.6	0.6	1.2	2.4	4.8	0.044	2.0	2.0
8*-301	300:5*	15.0	0.6	0.6	1.2	2.4	2.4	0.049	2.0	2.0
8*-401	400:5*	25.0	0.3	0.3	0.6	1.2	2.4	0.079	2.0	1.5
8*-501	500:5*	35.0	0.3	0.3	0.6	0.6	1.2	0.102	2.0	1.5
8*-601	600:5*	50.0	0.3	0.3	0.6	0.6	1.2	0.147	1.5	1.33
8*-751	750:5*	50.0	0.3	0.3	0.3	0.6	1.2	0.184	1.5	1.0
8*-801	800:5*	60.0	0.3	0.3	0.3	0.6	0.6	0.197	1.5	1.0
8*-102	1000:5*	75.0	0.3	0.3	0.3	0.3	0.6	0.246	1.33	1.0
8*-122	1200:5*	75.0	0.3	0.3	0.3	0.3	0.3	0.169	1.5	1.0
8*-152	1500:5*	90.0	0.3	0.3	0.3	0.3	0.3	0.316	1.33	1.0
8*-162	1600:5*	100.0	0.3	0.3	0.3	0.3	0.3	0.337	1.33	0.8
8*-202	2000:5*	120.0	0.3	0.3	0.3	0.3	0.3	0.422	1.0	0.8
8*-252	2500:5*	50.0	0.3	0.3	0.3	0.3	0.3	0.438	1.0	0.8
8*-302	3000:5	60.0	0.3	0.3	0.3	0.3	0.3	0.526	1.0	0.8
8*-322	3200:5	70.0	0.3	0.3	0.3	0.3	0.3	0.561	1.0	0.8
8*-402	4000:5	80.0	0.3	0.3	0.3	0.3	0.3	0.973	0.8	0.6

**\*\*NOTE:** When ordering, prefix catalogue number with model designation required, i.e. 8SHT-201, 8RL-301, etc.