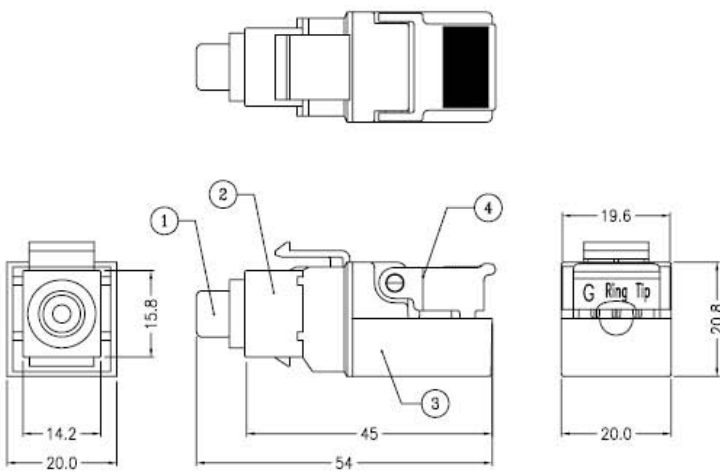


CUSTOMER: FILE NO. 50-7766



APPROVED / DATE

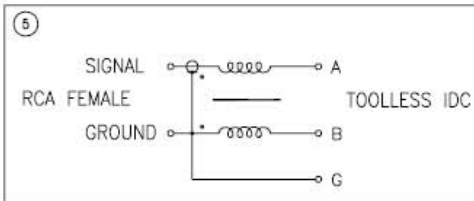


SPECIFICATION:

- Bandwidth : Video DC TO 8MHz
- Video Input : 1.1 Vp-p max.
- Insertion Loss : ≤ 2dB over the frequency range from DC to 8 MHz
- Return Loss : ≥15dB over the frequency range from DC to 8 MHz
- Common Mode Rejection : ≥40dB at 8 MHz
- Impedance : 75 ohms(Video)
- Cable-UTP : 24 AWG or lower solid copper twisted pair wire
 Impedance: 100 ohms at 1MHz
 Max. Capacitance: 20 pf/ft
 Attenuation: 6.6 dB/1000ft at 1 MHz
- Transmission Distastance : (Colour) 330 feet (Cat.3 UTP) 500 feet (Cat.5 UTP)

NOTE:

Component Video Blue , Blue RCA Female to Toolless IDC, for Keystone mounting



NO.	DESCRIPTION	Q'TY	NOTE
5	PCB SET (TRANSFORMER 1:1)	1 Set	
4	TOOLLESS IDC	1 Set	
3	PLASTIC HOUSING	1 Set	
2	RCA Keystone Housing	1 Set	
1	RCA FEMALE SOLDER TYPE (COLOR: Blue insert in RCA Female)	1 Set	

DIMENSIONS ARE IN mm [INCH]		TOLERANCES ARE FRACTIONS DECIMALS ANGLES		MATERIAL		P/N 50-7766		DRAWN		DATE 12/16/2005	
MOLD NO. 50-7766		.x ±0.25 .xx ±0.10		FINISH		PROJECT NO.		SCALE 1:1		SIZE A4 SHEET 1 OF 1	
COMPONENT RCA BALUN, KEYSTONE MOUNT, BLUE											