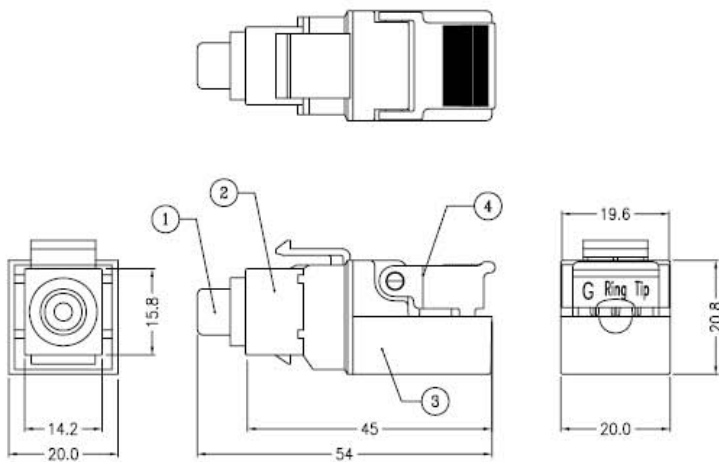


CUSTOMER: FILE NO. 50-7760



APPROVED / DATE

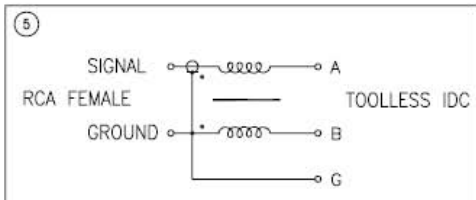


**SPECIFICATION:**

- Bandwidth : 10Hz to 50KHz  $\pm 3$  dB
- Impedance : 600:600 ohms (Audio) , unbalanced to balanced
- Connectors : one RCA to one IDC
- Isolation : 500 V
- Nominal Level : 1.0 volts
- Insertion Loss :  $\leq 1$ dB
- Common Mode Rejection: Greater than 40 dB
- Cable-UTP : UTP:24 AWG or lower solid copper  
UTP : Impedance: 100 ohms at 1MHz  
Max. Capacitance: 20 pf/ft  
Attenuation: 6.6 dB/1000 ft at 1 MHz
- Max. Distatance : 2500feet (Cat.6)
- Temperature : Operating: 0° to 55° C  
Storage: -20° to 85° C  
Humidity: up to 95%

**NOTE:**

Right channel Audio , Red RCA Female to Toolless IDC, for Keystone mounting



NO.	DESCRIPTION	Q'TY	NOTE
5	PCB SET (TRANSFORMER 1:1)	1 Set	
4	TOOLLESS IDC	1 Set	
3	PLASTIC HOUSING	1 Set	
2	RCA Keystone Housing	1 Set	
1	RCA FEMALE SOLDER TYPE (COLOR: Red insert in RCA Female)	1 Set	

DIMENSIONS ARE IN mm <small>(INCH)</small>		TOLERANCES ARE FRACTIONS DECIMALS ANGLES		MATERIAL		P/N 50-7760		DRAWN		DATE 12/16/2005	
MOLD NO. 50-7760		.X $\pm 0.25$ .XX $\pm 0.10$		FINISH		RIGHT AUDIO RCA BALUN, KEYSTONE MOUNT, RED		PROJECT NO.			
				COLOR				SCALE 1:1		SIZE A4 SHEET 1 OF 1	