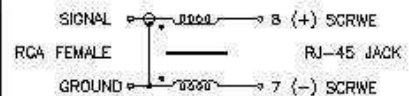
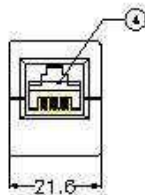
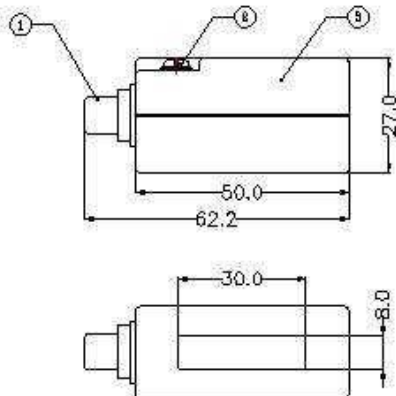
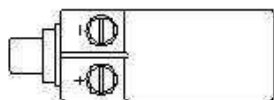


FILE NO.



TECHNICAL SPECIFICATION :

- TRANSMISSION BANDWIDTH DC (50Hz) TO 8MHz
- TRANSMISSION DISTANCE 800 METRES(24 AWG UTP) MAX.
- INSERTION LOSS < 2 dB
- SIGNAL RETURN LOSS  $\geq$  -15dB
- COMMON MODE REJECTION  $\geq$  -40dB @ 8MHz
- SIGNAL VOLTAGE 0.5 TO 1.5V rms

5	1 SET	TRANSFORMER 1:1	
4	1 SET	RJ45 JACK, GOLD SLD/ PAC WIRE 26 AWG UL-1041	
3	1 SET	PLASTIC SET(TOP, BOTTOM/SIDE COVER)	ABS UL94V-0
2	2 PCS	CAP HEAD TYPE SCREW	
1	1 SET	RCA FEMALE SOLDER TYPE	

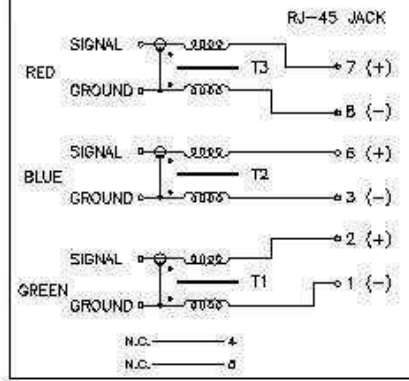
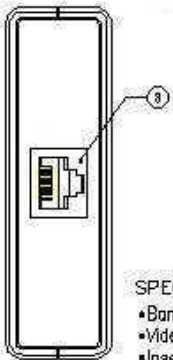
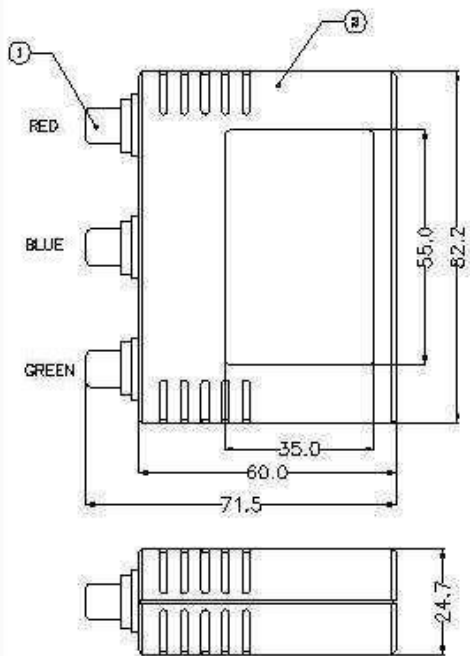
UNIT: mm	
TOLERANCE	
Ø	±0.25
mm	±0.1
ANGLES	±0.5°

TITLE: DCTV  
VIDEO BALUN (75 Ω : 100 Ω)  
RCA PLUG TO RJ45 UNSHIELDED JACK WITH SCREW

MCM Custom Audio  
50-7710

DES NO.	03-4011-11	DRW	Stephen-Lin	DATE	May/30/2003
SCALE	1/1	SHEET	of	REVISION	DATE

FILE NO.



**SPECIFICATION:**

- Bandwidth : Video DC TO 3MHz
- Video Input : 1.1 Vp-p max.
- Insertion Loss : ≤ 2dB over the frequency range from DC to 8 MHz
- Return Loss : ≥15dB over the frequency range from DC to 8 MHz
- Common Mode Rejection : ≥40dB at 8 MHz
- Impedance : 75 ohms(Video)
- Cable-UTP : 24 gauge or lower solid copper twisted pair wire  
Impedance: 100 ohms at 1MHz  
Max. Capacitance: 20 pf/ft  
Attenuation: 6.6 dB/1000ft at 1 MHz
- Transmission Distotance : (Color) 330 feet (Cat 3 UTP) 500 feet (Cat 5 UTP)

4	1 Set	PCB SET (TRANSFORMER 1:1) x 3	
3	1 Set	PCB TYPE SHIELDED JACK, GOLD 50u"	
2	1 Set	PLASTIC SET(DR, BOTTOM SIDE COVER)	ABS UL94V-0
1	3 PCS	RCA FEMALE SOLDER TYPE	

UNIT: mm  
 TOLERANCE:  
 DIMENSIONS:  
 ANGLES:  
 TITLE: RGB Video Balun  
 3 x RCA Female TO 1 x RJ45 Jack

**MCM Custom Audio**  
 50-7720

DWG NO. 03-R403-00  
 SCALE 1/1  
 DESIGNED BY Stephen-Lin  
 DATE 10/14/2004

FILE NO. \_\_\_\_\_

**1** **2** **3**

RCA 2 (WHITE INSULATOR)  
TX Out  
MI 304  
RCA 1 (RED INSULATOR)

49.2  
60.5

21.5  
43.0  
25.0

SIGNAL  
RCA 1 (RED) GROUND  
T1  
RJ-45 JACK  
SIGNAL  
RCA 2 (WHITE) GROUND  
T2  
N.C.  
N.C.  
N.C.  
N.C.

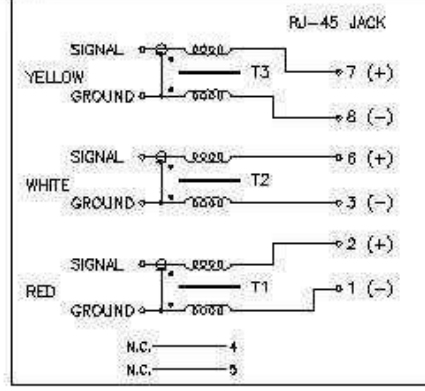
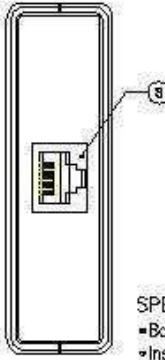
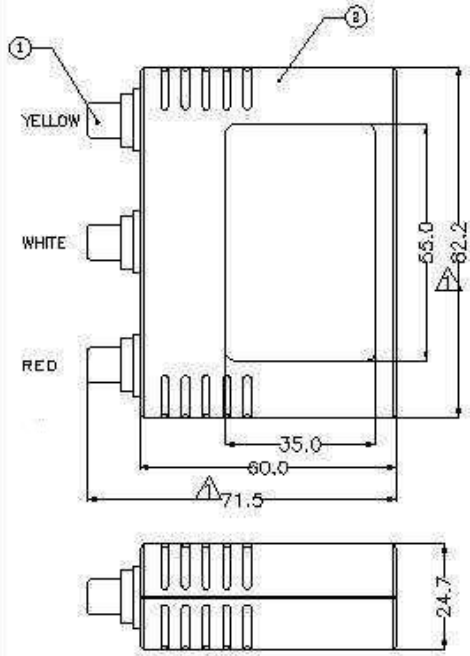
**SPECIFICATION:**

- Bandwidth : 10Hz to 50KHz  $\pm 3$  dB
- Impedance : 600:600 ohms (Audio) , unbalanced to balanced
- Connectors : two RCA to one RJ45
- Isolation : 500 V
- Nominal Level : 1.0 volts
- Insertion Loss : < 1dB
- Common Mode Rejection: Greater than 40 dB
- Cable-UTP : UTP:24 gauge or lower solid copper  
UTP : Impedance: 100 ohms at 1MHz  
Max. Capacitance: 20 pf/ft  
Attenuation: 6.6 dB/1000 ft at 1 MHz
- Max. Distance : 2500feet (Cat 6)
- Temperature : Operating: 0° to 55° C  
Storage: -20° to 85° C  
Humidity: up to 95%

NO.	NAME	QTY	MATERIAL	NOTE
4	P.C.B.	1 Set	TRANSFORMER 1d x 2	
3	RJ45 JACK	1 Set	PCB TYPE SHIELDED JACK, GOLD GAV	
2	PLASTIC SET	2 Set	TOP, BOTTOM, SIDE COVER-ABS (UL94-V0 or EQUIVALENT)	
1	RCA CONNECTOR	2 Set	RCA FEMALE SOLDER TYPE(RED,WHITE COLOR)	

UNIT: mm	TITLE: RCA AUDIO BALLUN DOUBLE RCA PLUG TO RJ45 SHIELED JACK	MCM Custom Audio 50-7725	REV. NO. 03-4049-00	DESIGNER: Stephan-Lin	DATE: 08/26/2002
TOLERANCE: DIM: ±0.25 HOLE: ±0.1 ANGLES: ±1°			SCALE: 1/1		

FILE NO.



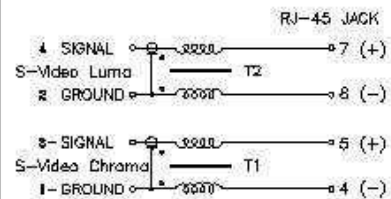
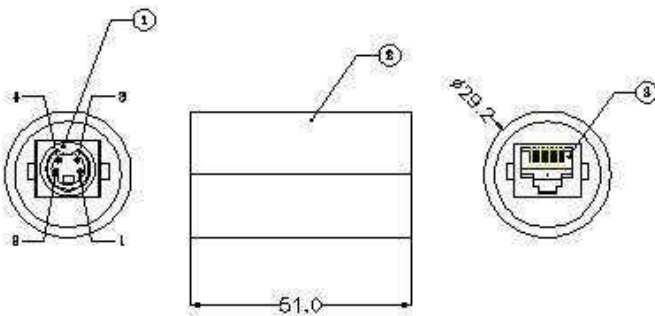
**SPECIFICATION:**

- Bandwidth : Video DC TO 6MHz Audio 20Hz to 50KHz
- Insertion Loss : ≤ 2dB over the frequency range from DC to 8 MHz
- Return Loss : ≥15dB over the frequency range from DC to 8 MHz
- Common Mode Rejection : ≥40dB at 8 MHz
- Impedance : RCA side 75 ohms(Video), 600 ohms (Audio)
- Cable : 24 gauge or lower solid copper twisted pair wire  
Impedance: 100 ohms at 1MHz  
Max. Capacitance: 20 pf/ft  
Attenuation: 6.6 dB/1000ft at 1MHz
- Transmission Distance : 500 feet (Cat 5 UTP)

4	1 Set	PCB SET (TRANSFORMER 14) x 3	
3	1 Set	PCB TYPE SHIELDED JACK, GOLD SOAT	
2	1 Set	PLASTIC SET(TOP, BOTTOM/SIDE COVER)	ABS MUSH-0
1	3 PCS	RCA FEMALE SOLDER TYPE	

UNIT: mm	TITLE: CCTV TRANSCEIVER BOX (2A+D)	MCM Custom Audio	03-B259-00	Stephen-Lin	04/20/2004
TOLERANCE	3x ±0.25	50-7730	REV: 1/1	DATE: 11/03/2004	
ANGLES	±1°				

FILE NO.



**SPECIFICATION:**

- Bandwidth : Video DC to 6MHz Audio 105 Hz to 20 KHz
- Max. Input-Audio or Video : 1.1 Vp-p
- Insertion Loss :  $\leq 2dB$  over the frequency range from DC to 6 MHz
- Return Loss :  $\geq 15dB$  over the frequency range from DC to 6 MHz
- Common Mode Rejection :  $\geq 40dB$  at 8 MHz
- Impedance : S-Video 75 ohms , 600 ohms (Audio)
- Cable-UTP : 24 gauge or lower solid copper twisted pair wire  
 Impedance: 100 ohms at 1MHz  
 Max. Capacitance: 20 pf/ft  
 Attenuation: 6.6 dB/1000ft at 1MHz
- Transmission Distance : 1000 feet (Cat 5 UTP)
- Temperature : Operating: 0° to 55° C  
 Storage: -22° to 85° C  
 Humidity: up to 95%

4	1 Sct	PCB SET (TRANSFORMER 1:1) x 2	
3	1 Sct	PCB TYPE SHIELDED JACK, GOLD 50*	
2	1 Sct	PLASTIC SET(XP, BOTTOMSIDE DRYER)	MS UGH-0
1	1 PCS	S-VIDEO FEMALE SOLDER TYPE	

UNIT: mm  
 TOLERANCE  
 DIMENSIONS  
 ANGLES

TITLE:

SUPER VALUE BALLUN  
 S-Video Female TO RJ45 Jack

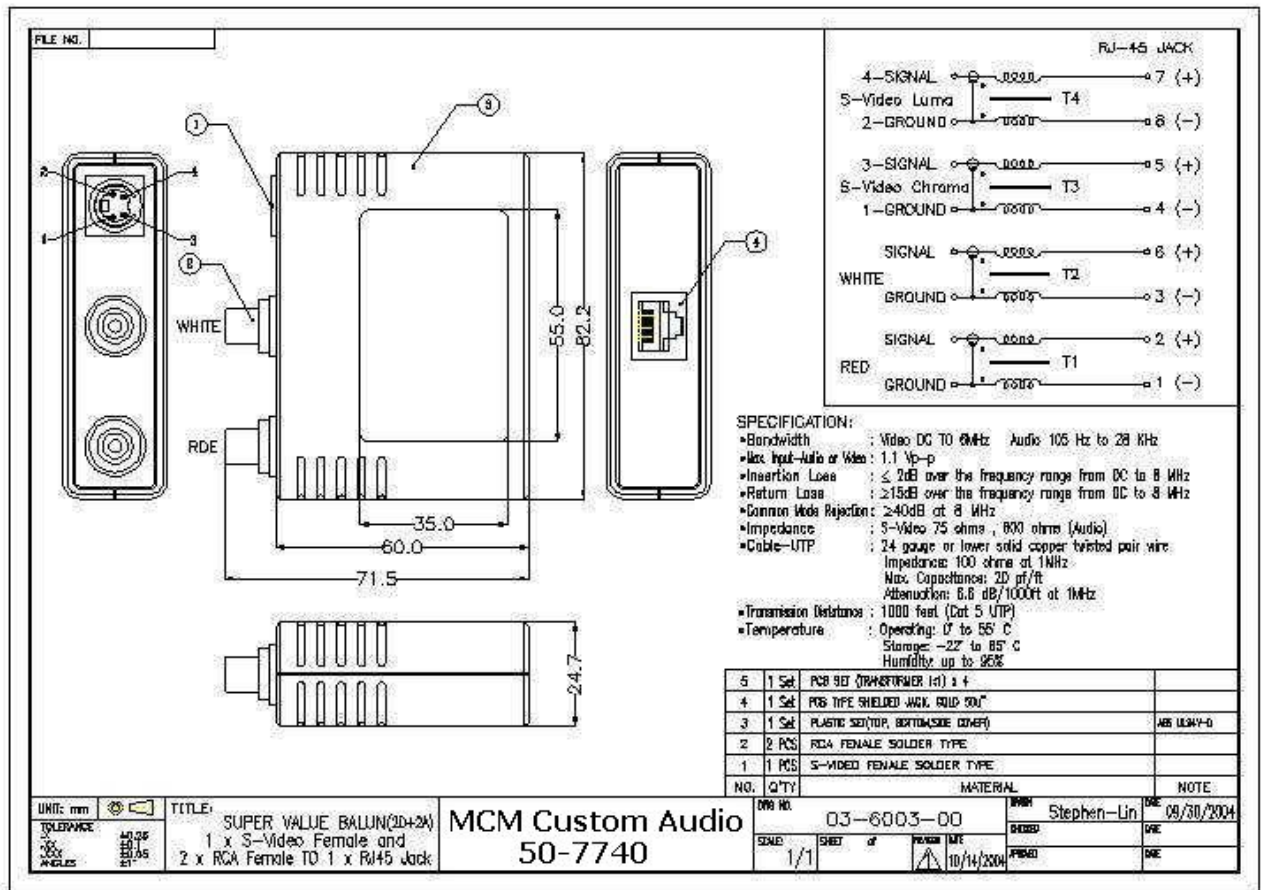
MCM Custom Audio  
 50-7735

REV NO. 03-6001-00

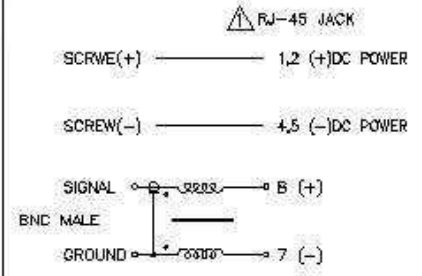
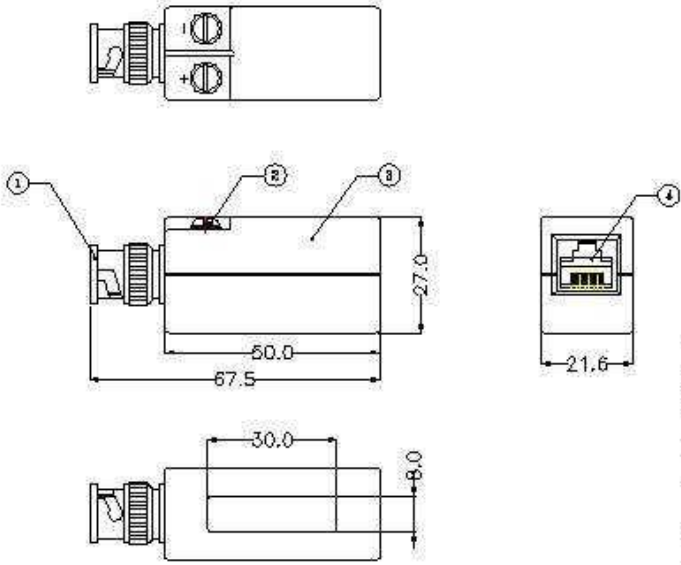
DESIGN Stephen-Lin DATE 04/20/2004

SCALE 1/1 SHEET 01 OF 01 DRAWN DATE 11/03/2004

REVISIONS



FILE NO.



TECHNICAL SPECIFICATION :

- TRANSMISSION BANDWIDTH DC (50Hz) TO 8MHz
- TRANSMISSION DISTANCE 800 METRES(24 AWG UTP)MAX.
- INSERTION LOSS < 2 dB
- SIGNAL RETURN LOSS ≥ -15dB
- COMMON MODE REJECTION > -40dB @ 6MHz
- SIGNAL VOLTAGE 0.5 TO 1.5V rms

5	1 Set	PCB SET (TRANSFORMER 1:1)		
4	1 Set	RJ45 JACK, GOLD SOLDER PLY WIRE TO RNC UL-1081		
3	1 Set	PLASTIC SET(TOP, BOTTOM/SIDE COVER)	ABS HIGH-0	
2	2 PCS	CAP HEAD TYPE SCREW		
1	1 Set	BNC MALE SOLDER TYPE		
NO.	Q'TY	MATERIAL	NOTE	
REV	03-2111-D3	BY	Stephen-Lin	DATE 02/13/2003
SCALE	1/1	DATE	10/14/2004	

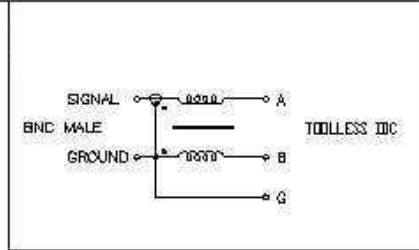
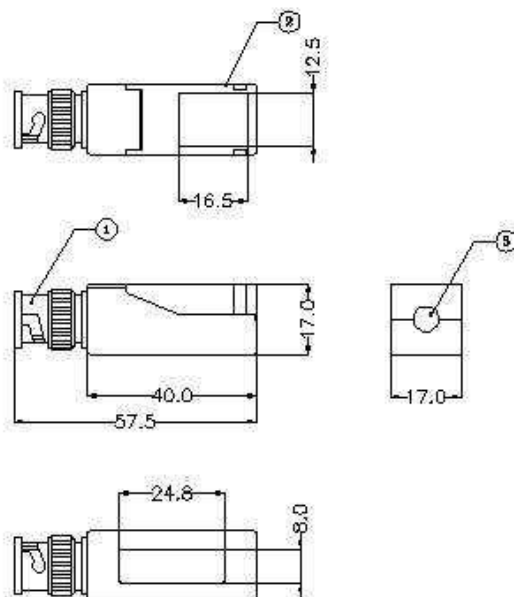
UNITS: mm  
 TOLERANCE: ±0.25  
 ±0.1  
 ±0.05  
 ANGLES: ±1°

TITLE: (for DC POWER)  
 VIDEO BALUN (75Ω : 100Ω)  
 BNC PLUG TO RJ45  
 UNSHIELDED JACK WITH SCREW

MCM Custom Audio  
 50-7745



FILE NO.



**TECHNICAL SPECIFICATION :**

- TRANSMISSION BANDWIDTH DC (50Hz) TO 8MHz
- TRANSMISSION DISTANCE 600 METRES(24 AWG UTP)MAX.
- INSERTION LOSS < 2 dB
- SIGNAL RETURN LOSS ≥ -15dB
- COMMON MODE REJECTION > -40dB @ 8MHz
- SIGNAL VOLTAGE 0.5 TO 1.5V rms

4	1 Set	PCB SET (TRANSFORMER 1:1)	
3	1 Set	TOOLESS IDC	ARS ULMP-0
2	1 Set	PLASTIC SET(TOP, BOTTOMSIDE COVER)	ARS ULMP-0
1	1 Set	BNC MALE SOLDER TYPE	

UNIT: mm	
TOLERANCE	
±	
0.05	
0.1	
0.2	
0.5	
1.0	
2.0	
5.0	
10.0	
20.0	
50.0	
100.0	
200.0	
500.0	
1000.0	

TITLE:  
VIDEO BALUN (75Ω : 100Ω)  
BNC PLUG TO TOOLESS IDC

MCM Custom Audio  
50-7750

DRG NO.	03-2180-71	DRW	Stephen-Lin	DATE	02/14/2004
SCALE	1/1	SHEET	of	PAGES	VAR
DATE		REVISED		BY	