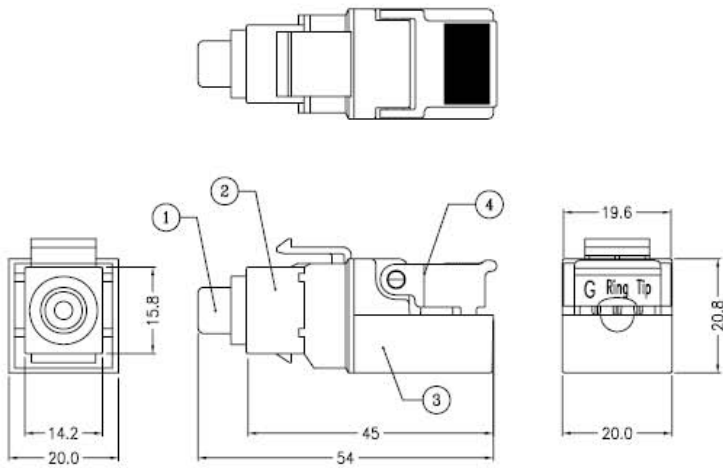


CUSTOMER: FILE NO. 50-7715



APPROVED / DATE

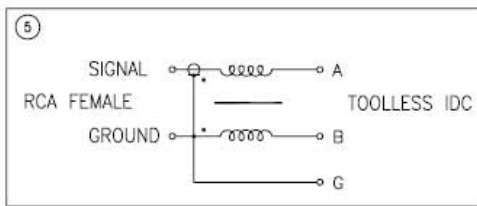


SPECIFICATION:

- Transmission Bandwidth : DC (50Hz) to 8MHz
- Transmission Distance : 600 Metres (24 AWG UTP) Max.
- Insertion Loss : < 2 dB
- Signal Return Loss : ≥ -15dB
- Common Mode Rejection : ≥ -40dB @ 8MHz
- Signal Voltage : 0.5 to 1.5V rms

NOTE:

Video only, Yellow RCA Female to Toolles IDC,
for Keystone mounting



NO.	DESCRIPTION	Q'TY	NOTE
5	PCB SET (TRANSFORMER 1:1)	1 Set	
4	TOOLLESS IDC	1 Set	
3	PLASTIC HOUSING	1 Set	
2	RCA Keystone Housing	1 Set	
1	RCA FEMALE SOLDER TYPE (COLOR: Yellow insert in RCA Female)	1 Set	

DIMENSIONS ARE IN mm (INCH)		TOLERANCES ARE FRACTIONS DECIMALS ANGLES		MATERIAL	VIDEO RCA BALUN, KEYSTONE MOUNT, YELLOW	P/N	50-7715	DRAWN	DATE	12/16/2005
MOLD NO.	50-7715	.X	±0.25	FINISH		PROJECT NO.				
		.XX	±0.10	COLOR	SCALE	1:1	SIZE	A4	SHEET	1 OF 1