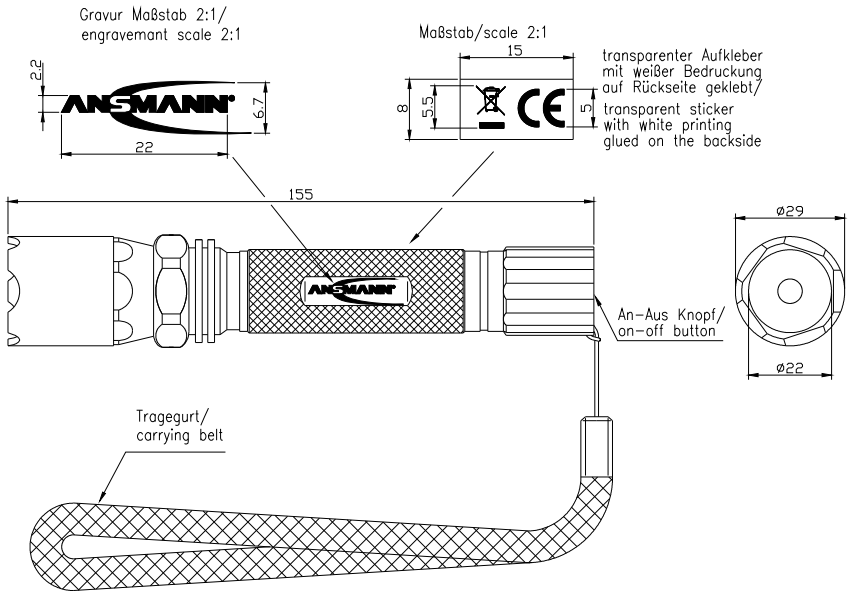


This drawing is the property of ANSMANN and is not to be reproduced, stored in a retrieval system, or transmitted in any form or by any means, electronic, mechanical, photocopying, recording, or by any information storage and retrieval system, without the prior written permission of ANSMANN. All rights reserved. ANSMANN is a registered trademark of ANSMANN. CE is a registered trademark of CE. The drawing is not to be used for any other purpose without the prior written permission of ANSMANN.

Leuchtmittel/ : 3W CREE LED/
 bulb 3W CREE LED
 Lebensdauer/ : >10000h
 lifetime
 Batterien/ : 2x AA Mignon (R6)
 batteries
 Betriebszeit/ : 10h (mit 2xAA Alkaline)/
 operation time (with 2xAA alkaline)
 Leuchtweite/ : 400– 500m
 beam
 Schutzart/ : IP44
 protection
 Material/ : Aluminium/ aluminium
 material
 Farbe/ : schwarz/ black
 color
 Gewicht/ : 225g inkl. Zubehör und Verpackung/
 weight 225g incl. package and accessories
 Verpackung/ : Blisterverpackung 86x37x252mm (LxBxH)/
 package blister package 86x37x252mm (LxWxH)
 Approval/ : CE
 approval
 inkl. 2 ANSMANN Alkaline Mignon AA Batterien/
 incl. 2 ANSMANN Alkaline AA batteries



Verwendungsbereich/ Application range für Anfrage/ for inquiry xxx/xx		Zul. Abweichung/ Allowable deviation	Oberfläche/ Surface	Maßstab/Scale 1:1	Gewicht/Weight
				Werkstoff/Work material, Modell-Nr.	
		2008 Datum/Date 06.05.	Name SP	Zeichnungsname/Drawing name Agent 2AA	
		ANSMANN		Zeichnungsnummer/Drawing number Artikelnummer/Part number	Blatt/ Sheet 1
VO	---	07.07.08	RA	Ersatz für/Replaced by	Ersatz durch/Replaced through
Version	Anderung/Change	Datum/Date	Name	Ursprung/Origin	Proj. XX/XX/XX