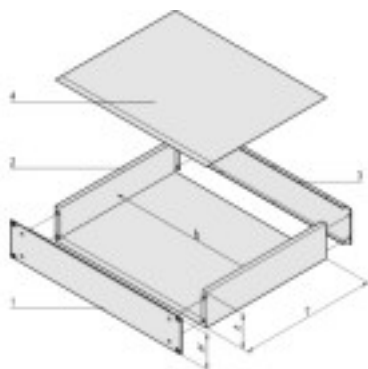
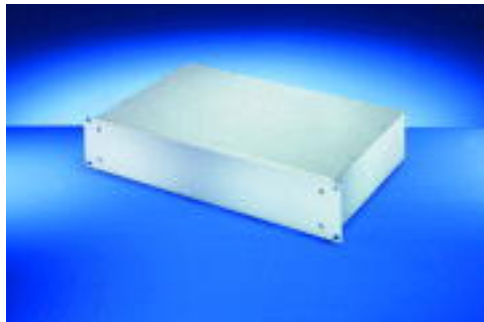


**19" chassis, steel sheet (Al/Zn )**
[Print page](#)


h = clear overall height (H - 3.0),  
b = clear installation width = 447 mm

**Article number: 20860-127**

- Complete chassis, St (AlZn coated) with Al extrusion front panel
- Detachable rear panel for easy assembly
- 19" and ATX power supplies can be assembled in the 1 U version up to a clearance of 40 mm

**Delivery comprises: kit**

| Item | Qty | Description  |
|------|-----|--|
| 1    | 1   | Front panel, Al extrusion, 2 mm, front anodised, rear etched (at 1 U), front and rear side of front panels colourless chromated (at 2 U) |
| 2    | 1   | Base body plain, St, 1 mm, (AlZn coated)   |
| 3    | 1   | Rear panel, St, 1 mm (AlZn coated)   |
| 4    | 1   | Cover plain, St, 1 mm (AlZn coated)  |
| 5    | 1   | Assembly kit   |

**Technical data:**

| Height H | H       | Depth  | Depth T |
|----------|---------|--------|---------|
| 2 U      | 88.1 mm | 340 mm | 340 mm  |




**Accessories:**

| Article number | Description   |
|----------------|---------------|
| 20860-257      | Front handles |

**Notes:**

- Further versions with steel sheet front panel (pizza box) on request
- Use of telescopic slides is not possible
- No special EMC version available
- Interior mounting kits not suitable for IEC 60297

#### Further Information:

|   |   |
|---|---|
|  | 3D PDF with CAD data (STEP/PDF)   |
|  | User Manual   |
|  | <p>Customized application / Networking</p> <p>Customized application / 19" mounting</p> <p>Customized application / EMC case</p> <p>Customized application / 19" angle removable</p> <p>Customized application / 2U case with IEEE boards</p> <p>Customized application / 19" angles</p> <p>Customized application / LAN switch with RJ45 plugs</p> <p>Customized application</p> <p>Customized application</p> <p>Customised application</p> |