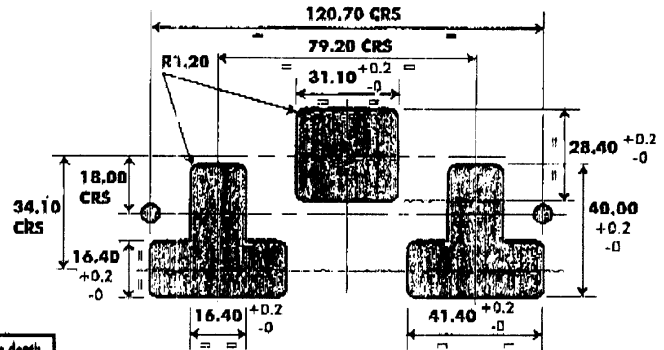


Accessories Technical Data

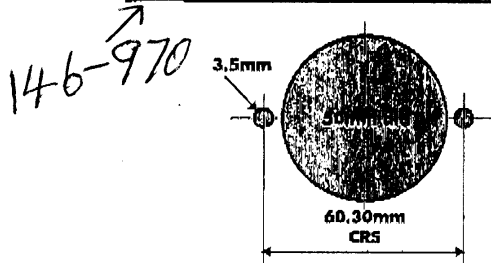
Panel mounting accessories - panel cut-out details

All dimensions are in millimetres. To comply with British Standards, the panel must extend at least 10mm beyond all sides of the aperture.

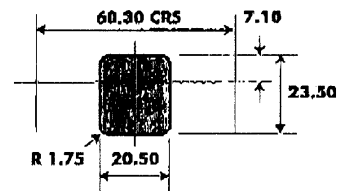
2915 13A socket, DP switched, 2 gang - 23mm depth



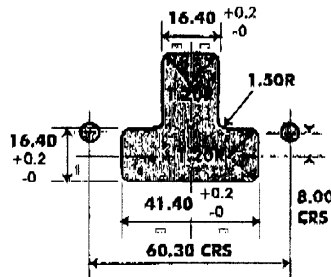
3006 13A socket, 1 gang, round aperture - 24mm depth



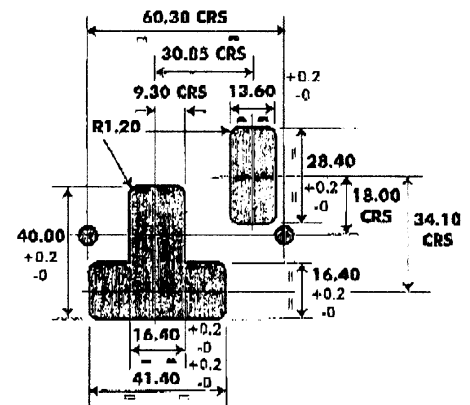
2950, 2951 telephone line jack - 19mm depth



2916 13A socket, 1 gang - 24mm depth

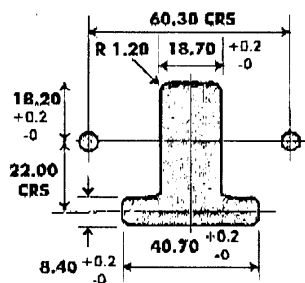


2914 13A socket, DP switched, 1 gang - 24mm depth



2922 20A DP switch - 20mm depth

2935 45A DP switch - 29mm depth



ACCESSORIES TECHNICAL DATA

