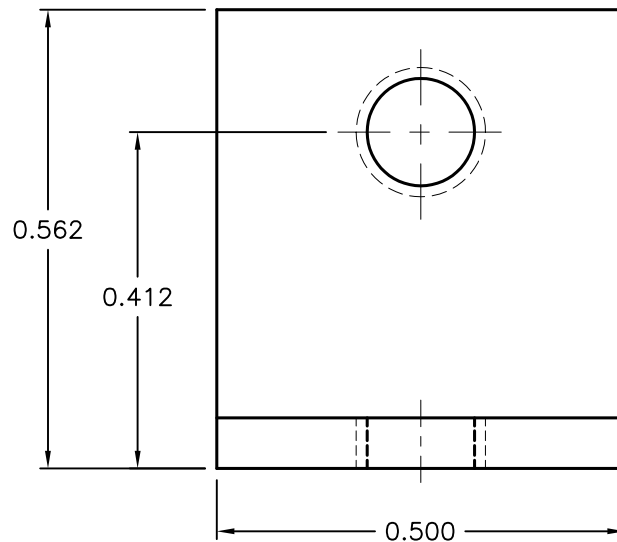
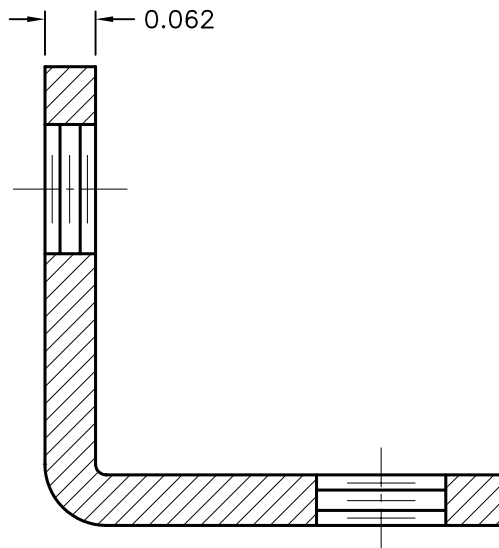
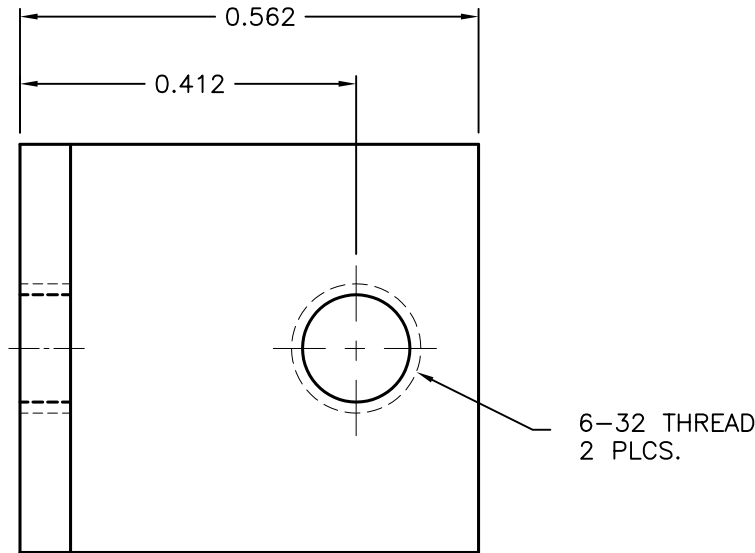


DCP #	REV	DESCRIPTION	DRAWN	DATE	CHECKD	DATE	APPRVD	DATE
564	A	RELEASED	HYO	3/27/00	JC	10/6/00	DJC	10/9/00
1892	B	Updated To RoHS Compliant	EO	3/14/06	HO	3/15/06	HO	3/15/06



**MATERIALS: STEEL, NICKEL PLATED**

SPC-F004.DWG

<b>TOLERANCES:</b>  UNLESS OTHERWISE SPECIFIED DECIMAL .XXX ± 0.010 [0.25]	<b>DRAWN BY:</b> HISHAM ODISH	<b>DATE:</b> 2/27/00	<b>DRAWING TITLE:</b> THREADED MOUNTING BRACKET			
	<b>CHECKED BY:</b> JOHN COLE	<b>DATE:</b> 10/6/00	<b>SIZE</b> A	<b>DWG. NO.</b> 8459-0670	<b>ELECTRONIC FILE</b> 16N952.DWG	<b>REV</b> B
	<b>APPROVED BY:</b> DANIEL CAREY	<b>DATE:</b> 10/9/00	<b>SCALE:</b> NTS		<b>U.O.M.:</b> INCHES	
					<b>SHEET:</b> 1 OF 1	

ALL RIGHTS RESERVED. NO PORTION OF THIS PUBLICATION, WHETHER IN WHOLE OR IN PART CAN BE REPRODUCED WITHOUT THE EXPRESS WRITTEN CONSENT OF SPC TECHNOLOGY. DISCLAIMER: ALL STATEMENTS AND TECHNICAL INFORMATION CONTAINED HEREIN ARE BASED UPON INFORMATION AND/OR TESTS WE BELIEVE TO BE ACCURATE AND RELIABLE. SINCE CONDITIONS OF USE ARE BEYOND OUR CONTROL, THE USER SHALL DETERMINE THE SUITABILITY OF THE PRODUCT FOR THE INTENDED USE AND ASSUME ALL RISK AND LIABILITY WHATSOEVER IN CONNECTION THEREWITH.