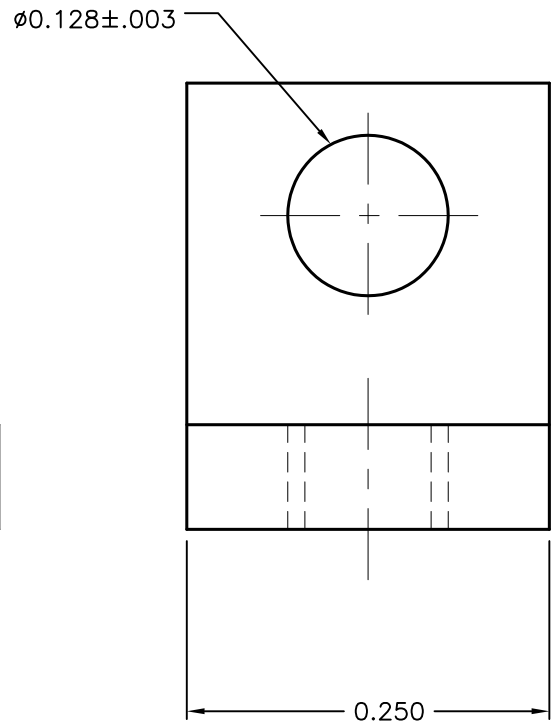
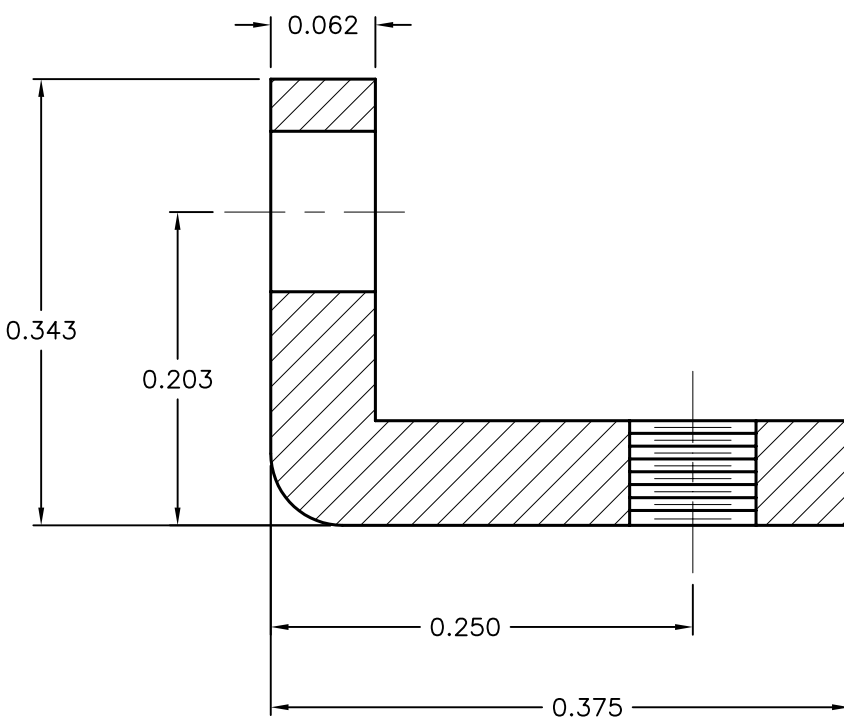
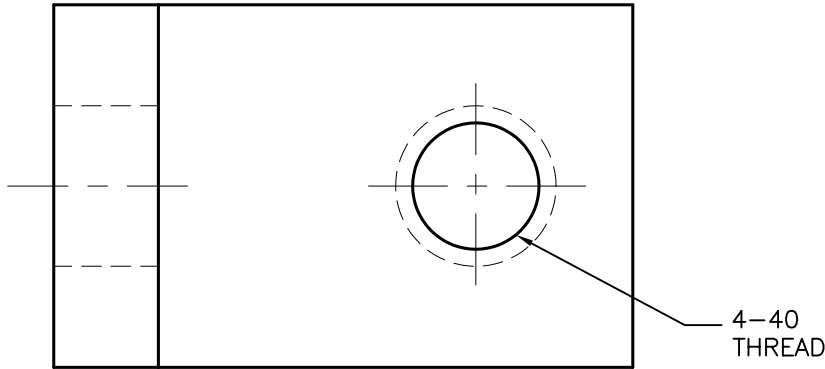


DCP #	REV	DESCRIPTION	DRAWN	DATE	CHECKD	DATE	APPRVD	DATE
564	A	RELEASED	HYO	3/24/00	JC	12/20/00	DJC	2/13/01
1892	B	UPDAT TO ROHS COMPLIANT	EO	03/15/06	HO	3/15/06	HO	3/15/06



MATERIAL: STEEL, ZINC PLATED

SPC-F004.DWG

TOLERANCES: UNLESS OTHERWISE SPECIFIED DECIMAL $.XXX \pm 0.010$	DRAWN BY:	DATE:	DRAWING TITLE:			
	HISHAM ODISH	3/24/00	THREADED BRACKET			
	CHECKED BY:	DATE:	SIZE	DWG. NO.	ELECTRONIC FILE	REV
	JOHN COLE	12/20/00	A	8459-0665	16N947.DWG	B
	APPROVED BY:	DATE:	SCALE: NTS		U.O.M.: INCHES	
DANIEL CAREY	2/13/01			SHEET: 1 OF 1		

ALL RIGHTS RESERVED. NO PORTION OF THIS PUBLICATION, WHETHER IN WHOLE OR IN PART CAN BE REPRODUCED WITHOUT THE EXPRESS WRITTEN CONSENT OF SPC TECHNOLOGY. DISCLAIMER: ALL STATEMENTS AND TECHNICAL INFORMATION CONTAINED HEREIN ARE BASED UPON INFORMATION AND/OR TESTS WE BELIEVE TO BE ACCURATE AND RELIABLE. SINCE CONDITIONS OF USE ARE BEYOND OUR CONTROL, THE USER SHALL DETERMINE THE SUITABILITY OF THE PRODUCT FOR THE INTENDED USE AND ASSUME ALL RISK AND LIABILITY WHATSOEVER IN CONNECTION THEREWITH.