

DO'S AND DON'TS

- Do read all the instruction leaflet before commencing installation.
- Do install each fan with a double pole-isolating switch.
- Do make sure the mains electricity supply is switched off before attempting to make electrical connections or carry out any maintenance or cleaning.

GUARANTEE

Customers outside UK - see international below.

- UK: The fan is guaranteed against defects for 1 year from the date of purchase.
- Please keep your purchase receipt.
- If you have any problems, contact Xpelair's Head Office at the address shown below.

TECHNICAL ADVICE AND SERVICE

Customers outside UK - see international below.

- UK: Xpelair have a comprehensive range of services including:
 - Free technical advice help-desk from Engineers on all aspects of ventilation.
 - Free design service, quotations and site surveys.
 - Service and maintenance contracts to suit all requirements.

Please ask for details:

- By telephone on Techline: +44(0) 8709 000430
- By fax on Techfax: +44 (0) 8709 000530
- At the address below

HEAD OFFICE, UK SALES OFFICE AND SPARES

- Applied Energy Products Ltd., Morley Way, Peterborough, PE2 9JJ, England.

Telephone: +44 (0)1733 456789

Fax: +44 (0) 1733 310606

Sales/Spares Hotline: +44 (0) 8709 000420

Sales/Spares Faxline: +44 (0) 8709 000520

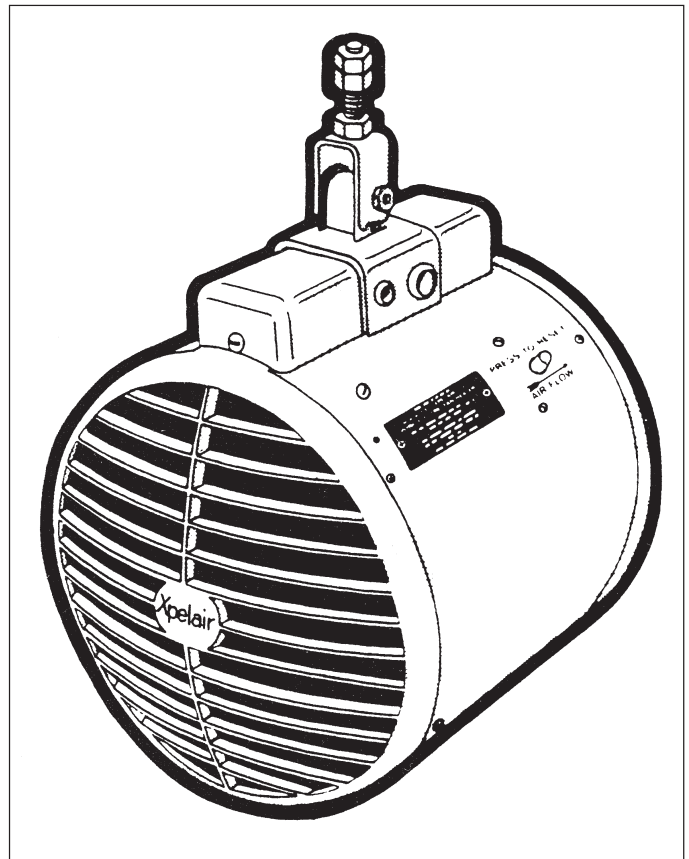
http://www.xpelair.co.uk

INTERNATIONAL

- Guarantee: Contact your local distributor or Xpelair direct for details.
- Technical Advice and Service: Contact your local Xpelair distributor.



Fan Heater WH60



applied energy



Part No. 09149AA
(Issue C)

Installation Instructions

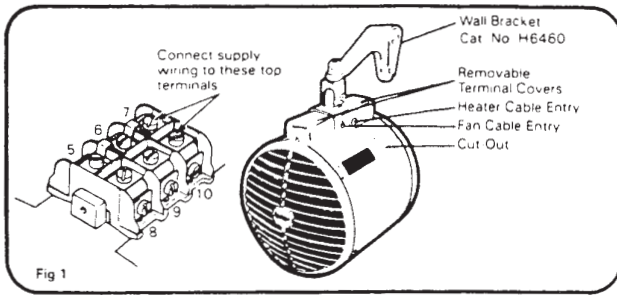


Fig 1

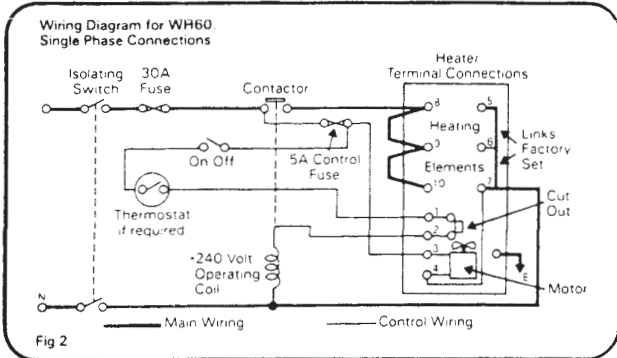


Fig 2

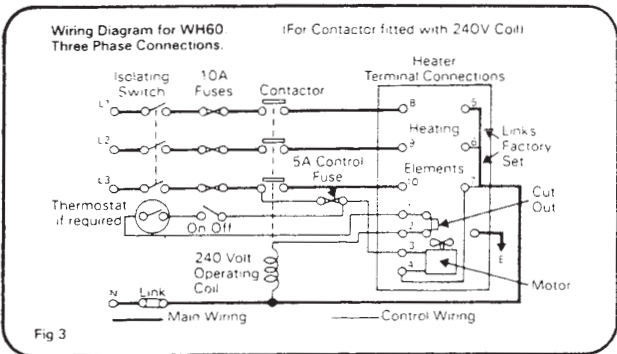


Fig 3

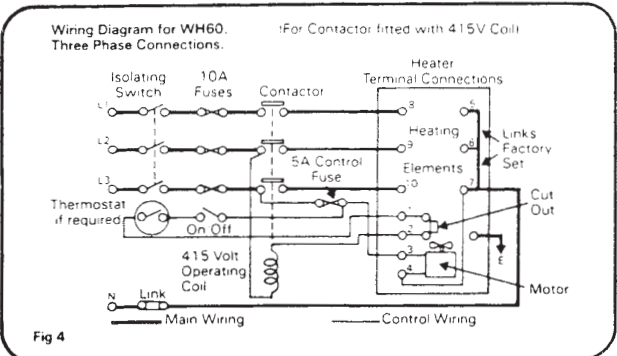


Fig 4

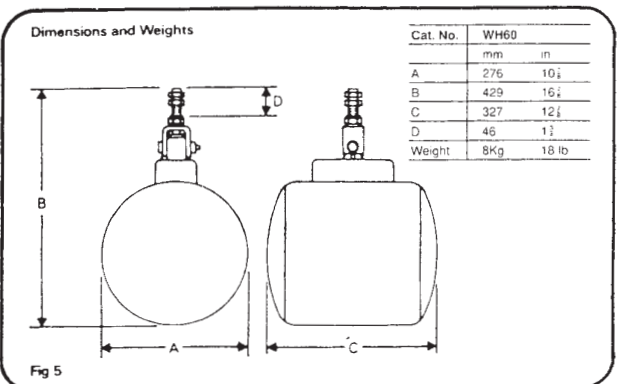


Fig 5

XPELAIR WH60 FAN HEATER INSTALLATION INSTRUCTIONS

PLEASE READ ALL INSTRUCTIONS CAREFULLY BEFORE COMMENCING INSTALLATION. CHECK THAT THE ELECTRICAL SUPPLY DATA QUOTED ON THE RATING PLATE OF THE APPLIANCE AGREES WITH THAT OF YOUR SUPPLY.

DESCRIPTION

The WH60 6kW fan heater is a heavy duty space heater designed specifically for commercial and industrial applications. This fan heater, which can be used on either single or 3-phase electrical supplies, has a long life 'black' heat element with terminal overload protection. The manual re-set cut-out is fitted for protection in case of interrupted air flow.

MOUNTING

The WH60 can be mounted on a suitable ceiling or roof support or alternatively wall mounted using the Xpelair wall bracket supplied. The normal recommended mounting height is 2.3m (7ft 6in) to 2.6m (8ft 6in) from the floor to the centre of the fan heater.

The WH60 can be locked in position through a 180° arc in the horizontal plane and inclined down up to 40° in the vertical plane. The fixing bolt assembly is packed separately and should be fixed to the heater before mounting.

ELECTRICAL CONNECTION

ALL INSTALLATIONS AND WIRING MUST COMPLY WITH THE CURRENT I.E.E. REGULATIONS.

The WH60 is supplied star connected with factory set links for 380/415V 3 phase 4-wire connection.

For connection to single phase 220/240V electrical supplies a 1.6mm diameter (16 swg) wire link must be made between terminals 8 and 9, and 9 and 10 (see fig. 2).

WARNING: THIS APPLIANCE MUST BE EARTHED

Any restriction to the airflow through the heater may result in the element overheating. To provide protection, a thermal cutout is fitted (see fig. 1).

The cut-out must be connected in series with the controlling contactor coil and thermostat where fitted.

The cut-out insulation is suitable for 415V AC and may be safely used on 4-wire systems (see figs 3 and 4).

If a thermostat and contactor arrangement is fitted, it is the responsibility of the installer to ensure the essential requirements of the EMC directive 89/336/EEC are still complied with.

CONTROL

A contactor (not supplied) should be used for each heater. Typical wiring diagrams when using contractors are shown (see figs 2, 3 and 4). If the fan is only required for operation during the summer months this can be obtained simply by closing the isolating switch (shown in figs 2, 3 and 4) without closing the contactor.

MAINTENANCE

Prior to any maintenance always switch off and disconnect the appliance from the electrical supply.

Grease and dirt may build up on some parts of the unit during use. This is easily wiped off with a damp cloth only. The unit must NOT be immersed in water.

Apart from cleaning no other maintenance is necessary as the motor bearings are self aligning oil impregnated porous bushes with an ample oil reservoir.

KEEP THIS BOOK FOR REFERENCE