

AC axial fans

S-Range, Ø 200



- **Material:** sheet steel (coated in black)
- **Direction of rotation:** counter-clockwise, seen on rotor
- **Type of protection:** IP 44

ebm-papst • Muldingen

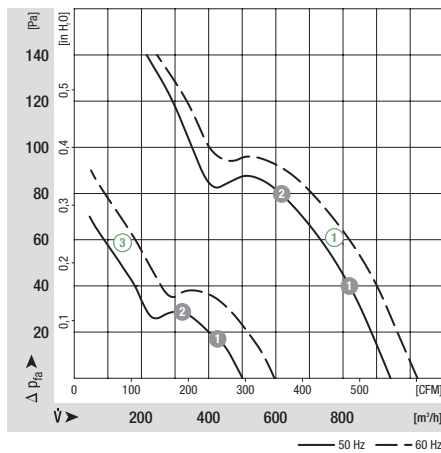
Nominal data		Characteristic	Voltage	Frequency	Air flow	Speed/rpm	Power input	Current draw	Capacitor	Sound pressure level	Max. back pressure	Perm. amb. temp.	Mass
Type	Motor		VAC	Hz	m ³ /h	min ⁻¹	W	A	µF/VDB	dB(A)	Pa	°C	kg
*2D 200 ⁽¹⁾	M2D068-BF	①	230/400	50	890	2600	68	0,17	---	65	140	45	1,6
			230/400	60	990	2900	70	0,13	---	68	140	70	
*2E 200	M2E068-BF	②	230	50	890	2600	64	0,30	1,5/400	65	150	70	1,4
			230	60	990	2900	78	0,34	1,5/400	68	150	70	
*4D 200 ⁽¹⁾	M4D068-BF	③	230/400	50	500	1440	20	0,07	---	43	70	80	1,4
			230/400	60	600	1690	20	0,06	---	47	90	90	
*4S 200	M4S068-BF	④	230	50	470	1370	30	0,21	---	42	50	75	1,2
			230	60	540	1580	27	0,19	---	46	50	80	

subject to alterations ⁽¹⁾ current draw established at 400 VAC (V)

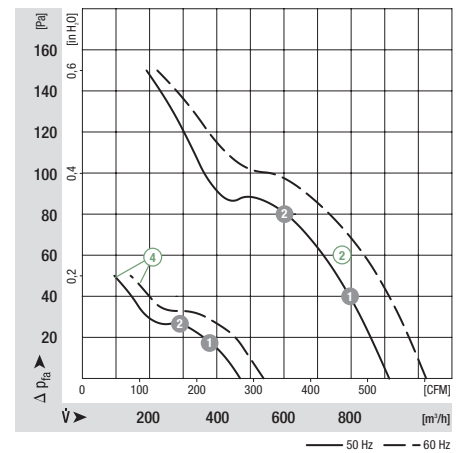
	n [min ⁻¹]	P ₁ [W]
① ①	2540	70
① ②	2470	74
③ ①	1430	21
③ ②	1420	23

	n [min ⁻¹]	P ₁ [W]
② ①	2555	67
② ②	2465	70
④ ①	1360	30
④ ②	1350	31

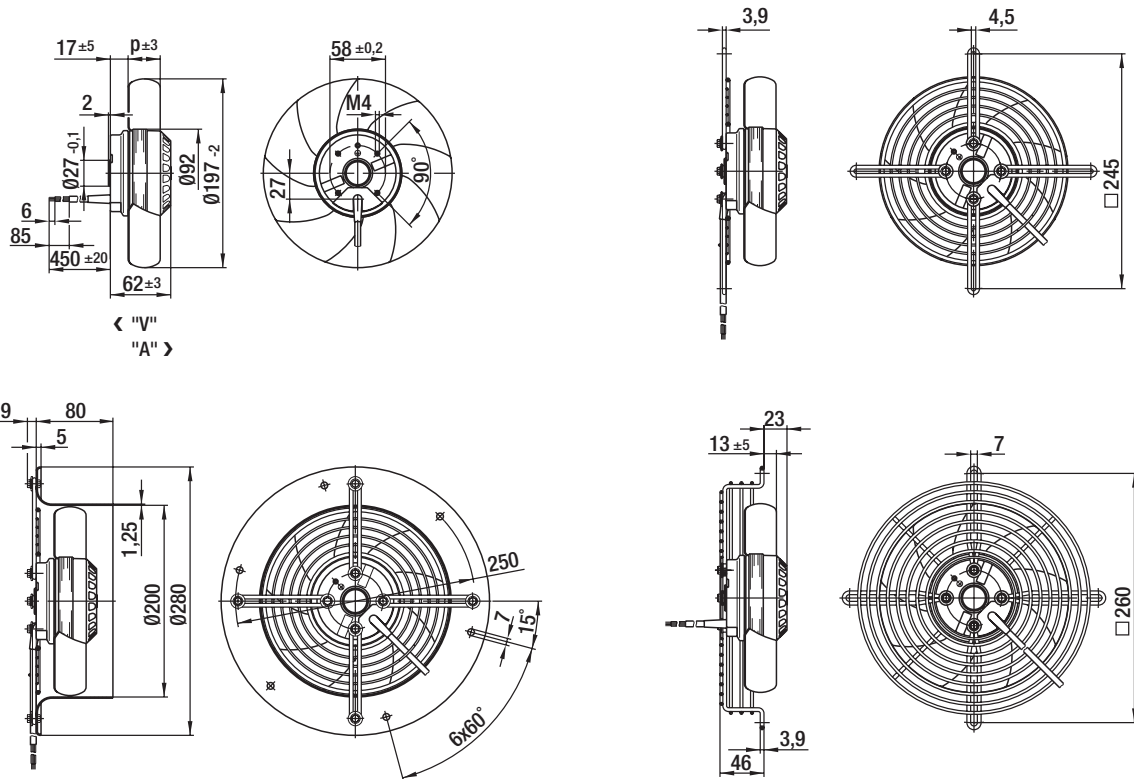
Characteristics



Characteristics



Selection	Cable exit	Direction of air flow					Dimensions
			Type	S/A/B	p		
*2D 200	S	"V"	A2D200-AH18 -01	S2D200-BH18 -01	W2D200-CH18 -01	S2D200-AH18 -01	39
		"A"	A2D200-AI18 -01	S2D200-BI18 -01	W2D200-CI18 -01	S2D200-AI18 -01	35
*2E 200	B	"V"	A2E 200-AH38 -01	S2E 200-BH38 -01	W2E 200-CH38 -01	S2E 200-AH38 -01	39
		"A"	A2E 200-AI38 -01	S2E 200-BI38 -01	W2E 200-CI38 -01	S2E 200-AI38 -01	35
*4D 200	S	"V"	A4D200-AH14 -01	S4D200-BH14 -01	W4D200-CH14 -01	S4D200-AH14 -01	39
		"A"	A4D200-AI14 -01	S4D200-BI14 -01	W4D200-CI14 -01	S4D200-AI14 -01	35
*4S 200	S	"V"	A4S200-AH04 -01	S4S200-BH04 -01	W4S200-CH04 -01	S4S200-AH04 -01	39
		"A"	A4S200-AI04 -01	S4S200-BI04 -01	W4S200-CI04 -01	S4S200-AI04 -01	35



AC axial fans

S-Range, Ø 250



- **Material:** sheet steel (coated in black)
- **Direction of rotation:** counter-clockwise, seen on rotor
- **Type of protection:** IP 44

ebm-papst • Muldingen

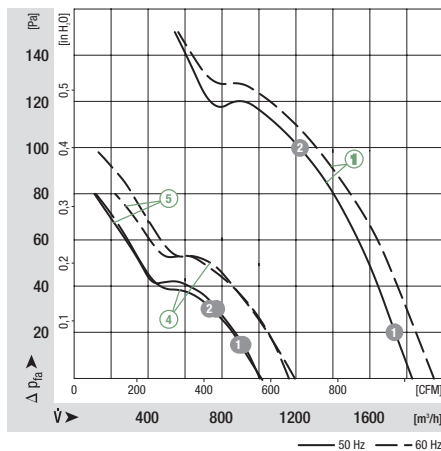
Nominal data		Characteristic	Voltage	Frequency	Air flow	Speed/rpm	Power input	Current draw	Capacitor	Sound pressure level	Max. back pressure	Perm. amb. temp.	Mass
Type	Motor		VAC	Hz	m ³ /h	min ⁻¹	W	A	µF/VDB	dB(A)	Pa	°C	kg
*2D 250 ⁽¹⁾	M2D068-CF	①	230/400	50	1830	2500	100	0,20	---	69	150	65	2,1
			230/400	60	1950	2650	140	0,23	---	70	150	45	
*2E 250	M2E068-CF	②	230	50	1820	2450	115	0,51	3,0/400	69	120	65	1,9
			230	60	1970	2600	150	0,66	3,0/400	71	85	50	
*4D 250 ⁽¹⁾	M4D068-CF	③	230/400	50	1010	1400	25	0,07	---	54	70	85	1,9
			230/400	60	1140	1580	32	0,07	---	57	70	80	
*4E 250	M4E068-BF	④	230	50	1010	1400	42	0,19	1,5/400	54	80	55	1,9
			230	60	1200	1630	45	0,20	1,5/400	58	100	70	
*4S 250	M4S068-CF	⑤	230	50	1000	1390	69	0,53	---	54	80	50	1,7
			230	60	1160	1600	63	0,45	---	58	80	65	

subject to alterations ⁽¹⁾ current draw established at 400 VAC (V)

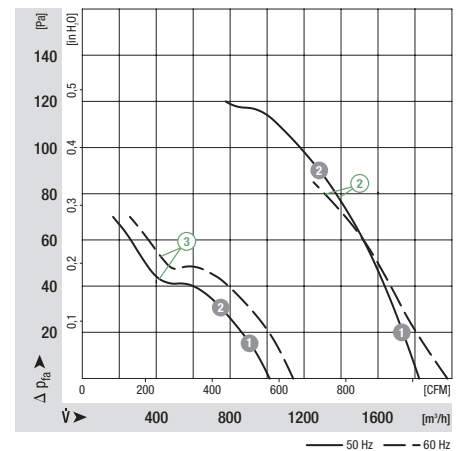
	n [min ⁻¹]	P _i [W]
① ①	2455	106
① ②	2310	125
④ ①	1370	43
④ ②	1360	45
⑤ ①	1370	71
⑤ ②	1360	73

	n [min ⁻¹]	P _i [W]
② ①	2455	116
② ②	2290	132
③ ①	1375	27
③ ②	1350	30

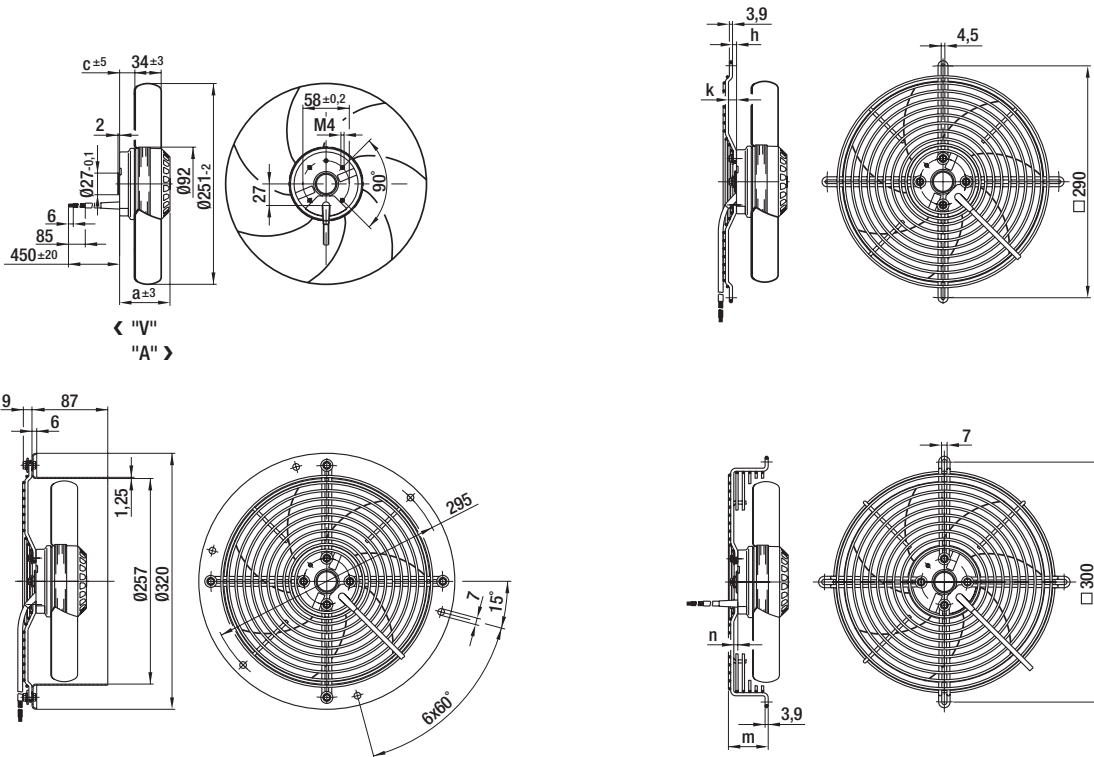
Characteristics



Characteristics



Selection	Cable exit	Direction of air flow	Image				Dimensions					
			Type	S/A/B	a	c	h	k	m	n		
*2D 250	S	"V"	A2D250-AH02 -01	S2D250-BH02 -01	W2D250-CH02 -01	S2D250-AH02 -01	72	18	5	10	50	5
		"A"	A2D250-AI02 -01	S2D250-BI02 -01	W2D250-CI02 -01	S2D250-AI02 -01	72	21	0	0	45	0
*2E 250	B	"V"	A2E 250-AL06 -01	S2E 250-BL06 -01	W2E 250-CL06 -01	S2E 250-AL06 -01	72	18	5	10	50	5
		"A"	A2E 250-AM06 -01	S2E 250-BM06 -01	W2E 250-CM06 -01	S2E 250-AM06 -01	72	27	0	0	45	0
*4D 250	S	"V"	A4D250-AH22 -01	S4D250-BH22 -01	W4D250-CH22 -01	S4D250-AH22 -01	72	18	5	10	50	5
		"A"	A4D250-AI22 -01	S4D250-BI22 -01	W4D250-CI22 -01	S4D250-AI22 -01	72	27	0	0	45	0
*4E 250	S	"V"	A4E 250-AH02 -01	S4E 250-BH02 -01	W4E 250-CH02 -01	S4E 250-AH02 -01	62	14	5	10	50	5
		"A"	A4E 250-AI02 -01	S4E 250-BI02 -01	W4E 250-CI02 -01	S4E 250-AI02 -01	62	22	0	0	45	0
*4S 250	S	"V"	A4S 250-AH02 -01	S4S 250-BH02 -01	W4S 250-CH02 -01	S4S 250-AH02 -01	72	18	5	10	50	5
		"A"	A4S 250-AI02 -01	S4S 250-BI02 -01	W4S 250-CI02 -01	S4S 250-AI02 -01	72	23	0	0	45	0



AC axial fans 2 poles

S-Range, Ø 300



- **Material:** sheet steel (coated in black)
- **Direction of rotation:** direction of air flow "V" counter-clockwise, direction of air flow "A" clockwise
- **Type of protection:** IP 44
- **Option:** also available with terminal box

ebm-papst • Muldingen

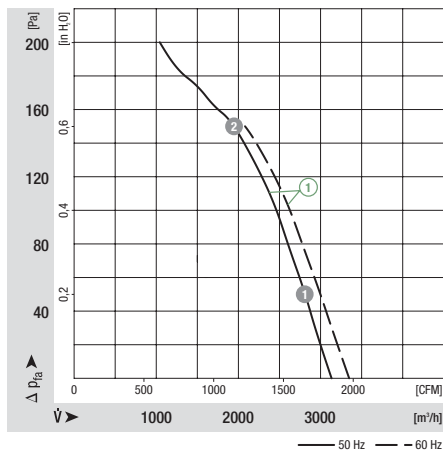
Nominal data		Characteristic	Voltage	Frequency	Air flow	Speed/rpm	Power input	Current draw	Capacitor	Sound pressure level	Max. back pressure	Perm. amb. temp.	Mass
Type	Motor		VAC	Hz	m ³ /h	min ⁻¹	W	A	µF/VDB	dB(A)	Pa	°C	kg
*2D 300 ⁽¹⁾	M2D074-DF	①	230/400	50	3130	2580	210	0,36	---	72	200	55	3,0
			230/400	60	3350	2750	300	0,48	---	73	125	40	
*2E 300	M2E074-DF	②	230	50	3410	2700	230	1,10	8,0/400	73	200	50	3,0
			230	60	3740	3000	350	1,55	8,0/400	76	50	40	

subject to alterations ⁽¹⁾ current draw established at 400 VAC (V)

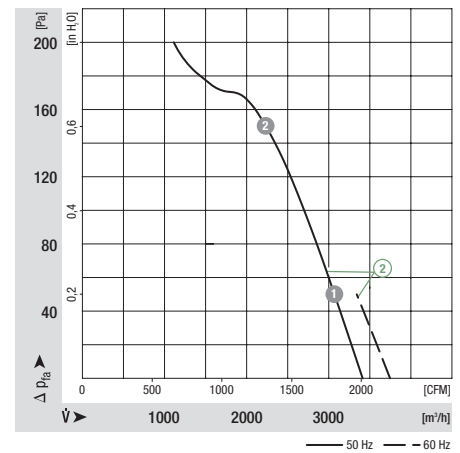
	n [min ⁻¹]	P _i [W]
① ①	2530	228
① ②	2400	273

	n [min ⁻¹]	P _i [W]
② ①	2680	252
② ②	2560	290

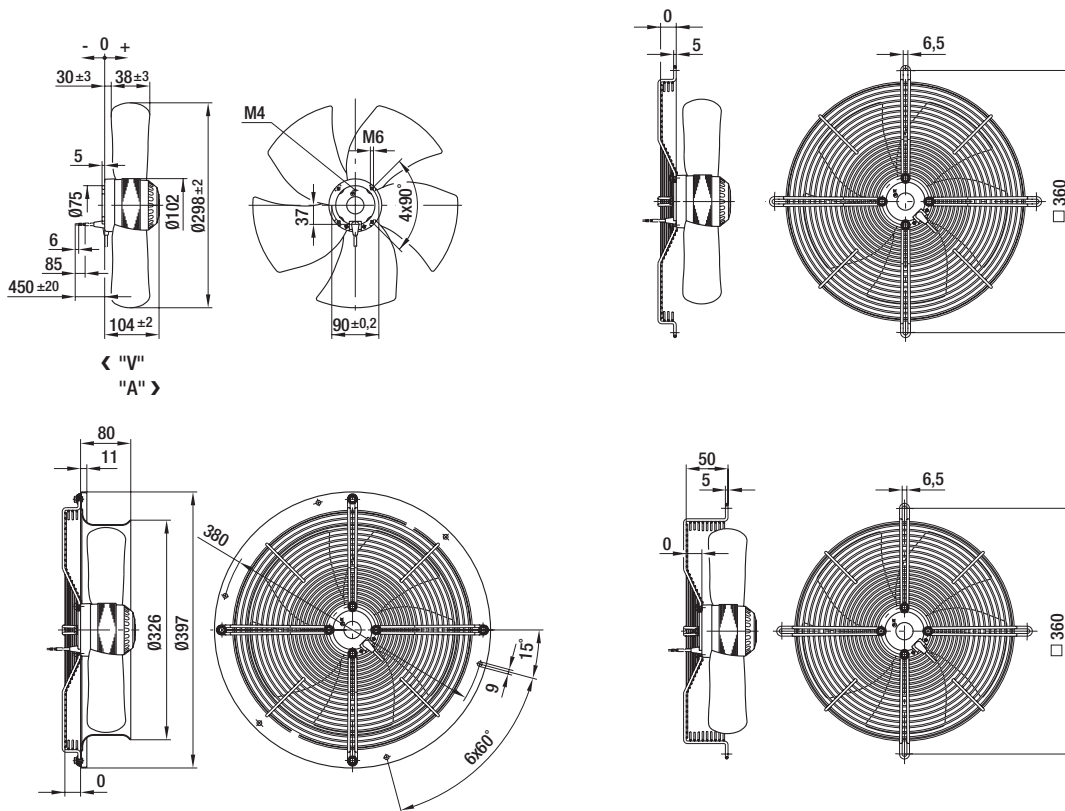
Characteristics



Characteristics



Selection	Cable exit	Direction of air flow				
			Type	S/A/B		
*2D 300	B	"V"	A2D300-AP02 -01	S2D300-BP02 -30	W2D300-CP02 -30	S2D300-AP02 -30
		"A"	A2D300-AP02 -02	S2D300-BP02 -31	W2D300-CP02 -31	S2D300-AP02 -31
*2E 300	B	"V"	A2E300-AP02 -01	S2E300-BP02 -30	W2E300-CP02 -30	S2E300-AP02 -30
		"A"	A2E300-AP02 -02	S2E300-BP02 -31	W2E300-CP02 -31	S2E300-AP02 -31



AC axial fans 4 poles

S-Range, Ø 300



- **Material:** sheet steel (coated in black)
- **Direction of rotation:** direction of air flow "V" counter-clockwise, direction of air flow "A" clockwise
- **Type of protection:** IP 44

ebm-papst • Mulfingen

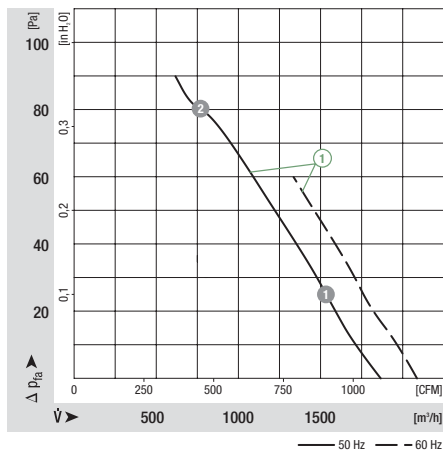
Nominal data		Characteristic	Voltage	Frequency	Air flow	Speed/rpm	Power input	Current draw	Capacitor	Sound pressure level	Max. back pressure	Perm. amb. temp.	Mass
Type	Motor		VAC	Hz	m ³ /h	min ⁻¹	W	A	µF/VDB	dB(A)	Pa	°C	kg
*4D 300	M4D068-CF	①	230/400	50	1860	1370	60	0,17	---	57	90	45	1,9
			230/400	60	2080	1540	75	0,15	---	60	60	40	
*4E 300	M4E068-CF	②	230	50	1740	1400	68	0,30	2,0/400	59	80	60	1,9
			230	60	2040	1630	92	0,41	2,0/400	63	70	45	

subject to alterations

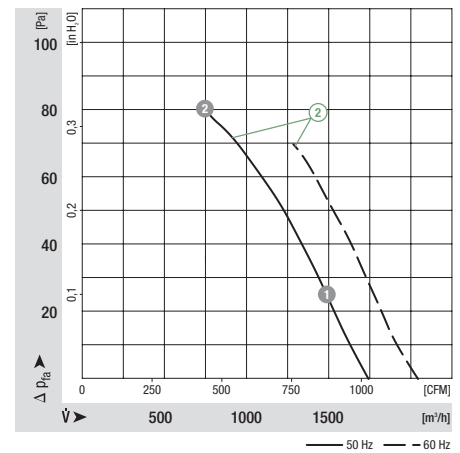
	n [min ⁻¹]	P _i [W]
① ①	1350	66
① ②	1260	88

	n [min ⁻¹]	P _i [W]
② ①	1390	72
② ②	1290	88

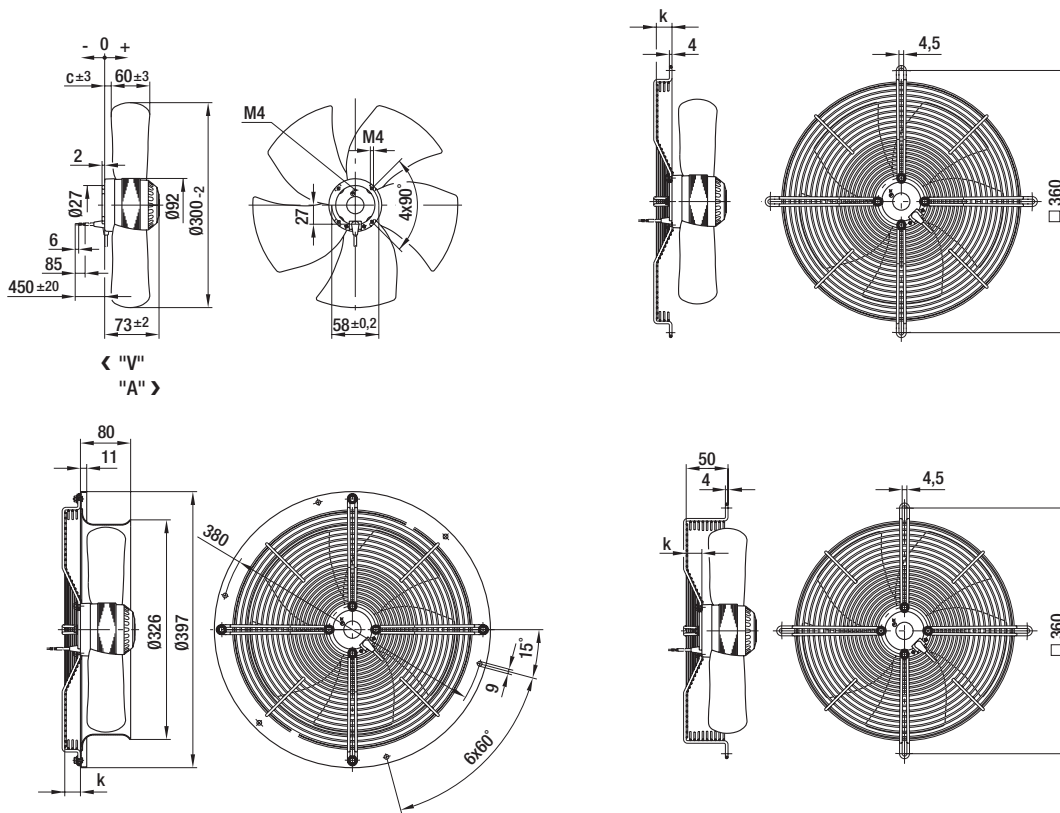
Characteristics



Characteristics



Selection	Cable exit	Direction of air flow					Dimensions	
			Type	S/A/B			c	k
*4D 300	A	"V"	A4D300-AP28 -01	S4D300-BP28 -30	W4D300-CP28 -30	S4D300-AP28 -30	13	0
		"A"	A4D300-AP28 -02	S4D300-BP28 -31	W4D300-CP28 -31	S4D300-AP28 -31	-7	30
*4E 300	A	"V"	A4E300-AP26 -01	S4E300-BP26 -30	W4E300-CP26 -30	S4E300-AP26 -30	13	0
		"A"	A4E300-AP26 -02	S4E300-BP26 -31	W4E300-CP26 -31	S4E300-AP26 -31	-7	30



AC axial fans

S-Range, Ø 315



- **Material:** sheet steel (coated in black)
- **Direction of rotation:** direction of air flow "V" counter-clockwise, direction of air flow "A" clockwise
- **Type of protection:** IP 44

ebm-papst • Mulfingen

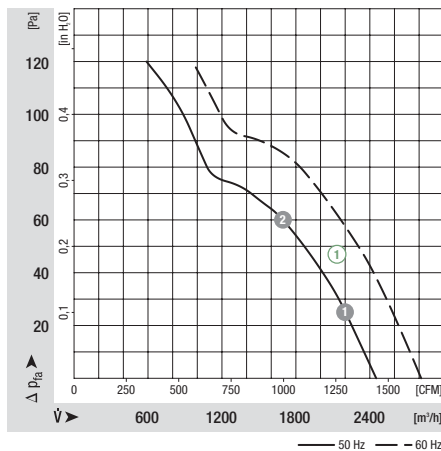
Nominal data		Characteristic	Voltage	Frequency	Air flow	Speed/rpm	Power input	Current draw	Capacitor	Sound pressure level	Max. back pressure	Perm. amb. temp.	Mass
Type	Motor		VAC	Hz	m ³ /h	min ⁻¹	W	A	µF/VDB	dB(A)	Pa	°C	kg
*4D 315 ⁽¹⁾	M4D068-DF	①	230/400	50	2450	1400	85	0,26	---	60	120	55	2,4
			230/400	60	2810	1620	110	0,24	---	64	120	55	
*4E 315	M4E068-DF	②	230	50	2440	1410	102	0,52	4,0/400	59	120	55	2,4
			230	60	2840	1650	120	0,53	4,0/400	64	120	55	
*6E 315	M6E068-DF	③	230	50	1650	950	65	0,33	2,0/400	51	70	50	2,4
			230	60	1950	1120	68	0,30	2,0/450	55	80	60	

subject to alterations (1) current draw established at 400 VAC (V)

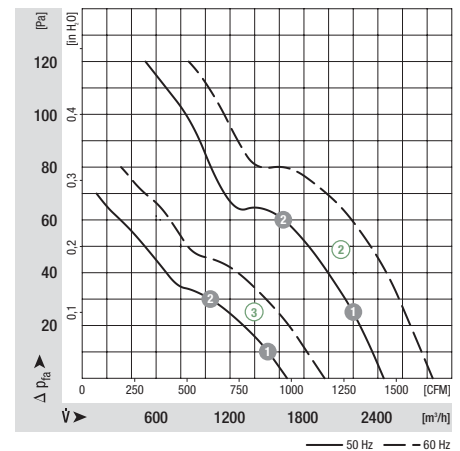
	n [min ⁻¹]	P ₁ [W]
① ①	1400	90
① ②	1380	103

	n [min ⁻¹]	P ₁ [W]
② ①	1400	108
② ②	1380	120
③ ①	945	63
③ ②	930	66

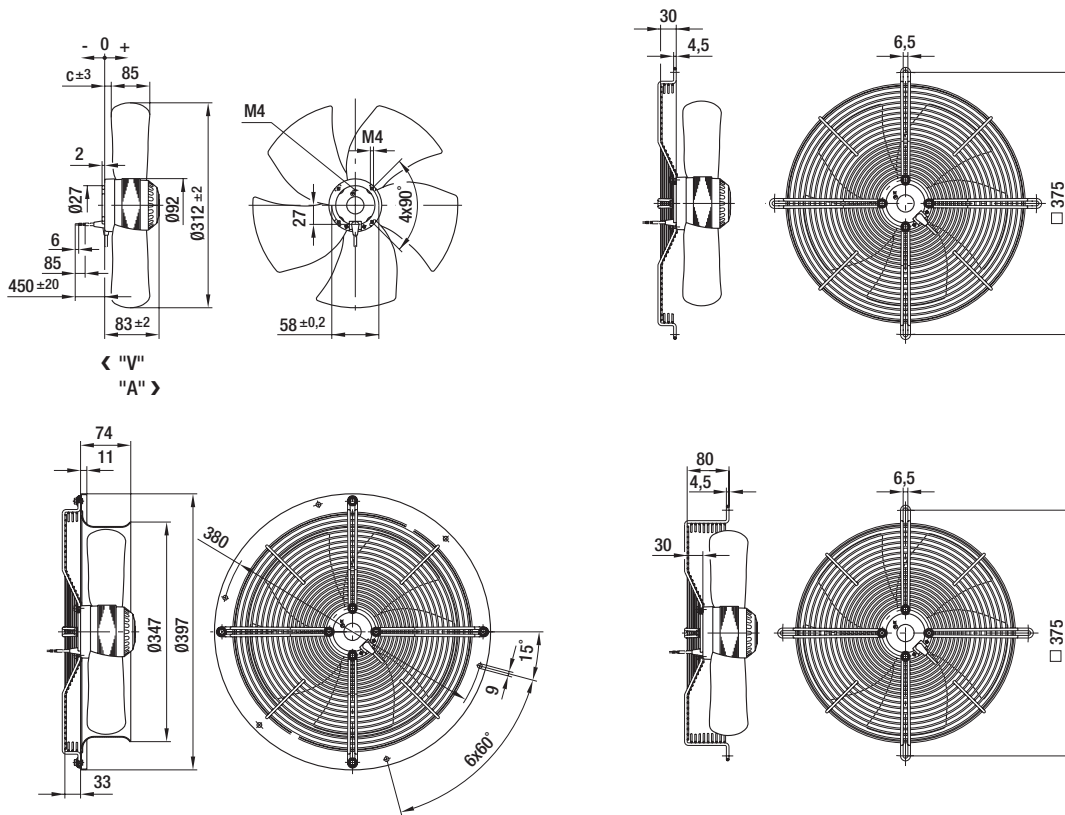
Characteristics



Characteristics



Selection	Cable exit	Direction of air flow	Fan models				Dimensions
			Type	S/A/B			
*4D 315	A	"V"	A4D315-AP10 -01	S4D315-BP10 -30	W4D315-CP10 -30	S4D315-AP10 -30	5
		"A"	A4D315-AP10 -02	S4D315-BP10 -31	W4D315-CP10 -31	S4D315-AP10 -31	-7
*4E 315	A	"V"	A4E315-AP18 -01	S4E315-BP18 -30	W4E315-CP18 -30	S4E315-AP18 -30	5
		"A"	A4E315-AP18 -02	S4E315-BP18 -31	W4E315-CP18 -31	S4E315-AP18 -31	-7
*6E 315	A	"V"	A6E315-AP02 -01	S6E315-BP02 -30	W6E315-CP02 -30	S6E315-AP02 -30	5
		"A"	A6E315-AP02 -02	S6E315-BP02 -31	W6E315-CP02 -31	S6E315-AP02 -31	-7



AC axial fans

S-Range, Ø 330



- **Material:** sheet steel (coated in black)
- **Direction of rotation:** direction of air flow "V" counter-clockwise, direction of air flow "A" clockwise
- **Type of protection:** IP 44

ebm-papst • Mulfingen

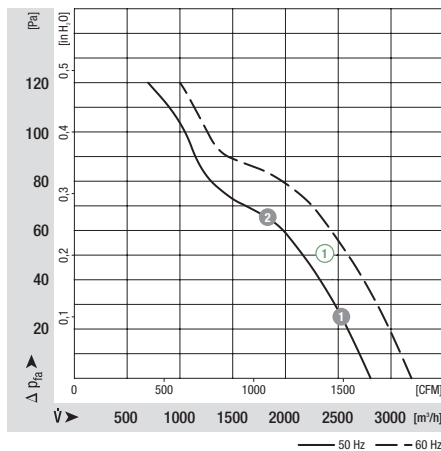
Nominal data		Characteristic	Voltage	Frequency	Air flow	Speed/rpm	Power input	Current draw	Capacitor	Sound pressure level	Max. back pressure	Perm. amb. temp.	Mass
Type	Motor		VAC	Hz	m ³ /h	min ⁻¹	W	A	µF/VDB	dB(A)	Pa	°C	kg
*4D 330 ⁽¹⁾	M4D068-DF	①	230/400	50	2800	1390	100	0,26	---	59	120	55	2,6
			230/400	60	3180	1570	130	0,24	---	63	120	45	
*4E 330	M4E068-DF	②	230	50	2830	1390	120	0,57	4,0/400	63	90	50	2,5
			230	60	3230	1600	140	0,60	4,0/400	67	75	40	
*6E 330	M6E068-DF	③	230	50	1940	940	65	0,33	2,0/400	49	60	50	2,5
			230	60	2280	1100	72	0,32	2,0/450	53	70	65	

subject to alterations (1) current draw established at 400 VAC (V)

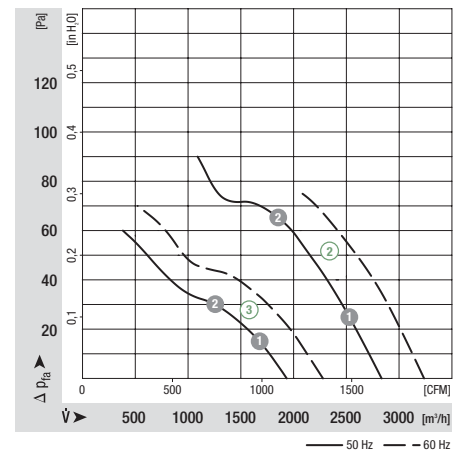
	n [min ⁻¹]	P ₁ [W]
① ①	1370	102
① ②	1325	126

	n [min ⁻¹]	P ₁ [W]
② ①	1375	122
② ②	1325	140
③ ①	925	68
③ ②	910	70

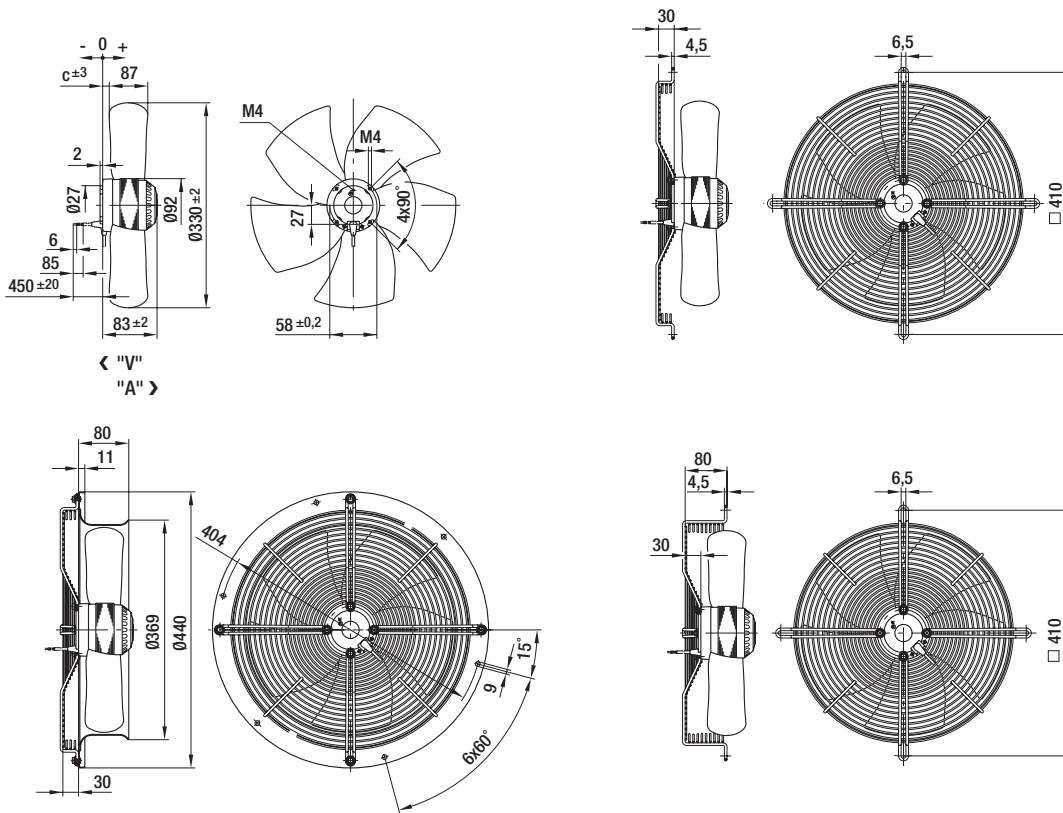
Characteristics



Characteristics



Selection	Cable exit	Direction of air flow	Fan models				Dimensions
			Type	S/A/B			
*4D 330	A	"V"	A4D330-AP10 -01	S4D330-BP10 -30	W4D330-CP10 -30	S4D330-AP10 -30	6
		"A"	A4D330-AP10 -02	S4D330-BP10 -31	W4D330-CP10 -31	S4D330-AP10 -31	-8
*4E 330	A	"V"	A4E330-AP18 -01	S4E330-BP18 -30	W4E330-CP18 -30	S4E330-AP18 -30	6
		"A"	A4E330-AP18 -02	S4E330-BP18 -31	W4E330-CP18 -31	S4E330-AP18 -31	-8
*6E 330	A	"V"	A6E330-AP02 -01	S6E330-BP02 -30	W6E330-CP02 -30	S6E330-AP02 -30	6
		"A"	A6E330-AP02 -02	S6E330-BP02 -31	W6E330-CP02 -31	S6E330-AP02 -31	-8



AC axial fans

S-Range, Ø 350



- **Material:** sheet steel (coated in black)
- **Direction of rotation:** direction of air flow "V" counter-clockwise, direction of air flow "A" clockwise
- **Type of protection:** IP 44

ebm-papst • Mulfingen

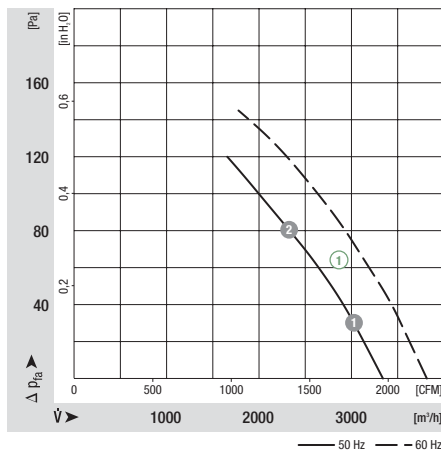
Nominal data		Characteristic	Voltage	Frequency	Air flow	Speed/rpm	Power input	Current draw	Capacitor	Sound pressure level	Max. back pressure	Perm. amb. temp.	Mass
Type	Motor		VAC	Hz	m ³ /h	min ⁻¹	W	A	µF/VDB	dB(A)	Pa	°C	kg
*4D 350 ⁽¹⁾⁽²⁾	M4D068-EC	①	230/400	50	3340	1420	135	0,42	---	64	120	60	3,6
			230/400	60	3815	1620	185	0,37	---	68	145	45	
*4E 350 ⁽²⁾	M4E068-EC	②	230	50	3250	1365	132	0,58	5,0/400	64	90	60	3,6
			230	60	3640	1530	180	0,80	5,0/400	67	65	50	
*6E 350	M6E068-DF	③	230	50	2110	905	60	0,27	2,5/400	55	40	60	3,6
			230	60	2420	1040	85	0,38	2,5/400	58	45	55	

subject to alterations ⁽¹⁾ current draw established at 400 VAC (V) ⁽²⁾ insulation class "F"

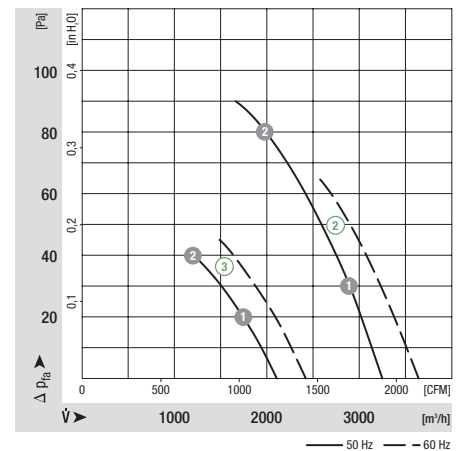
	n [min ⁻¹]	P ₁ [W]
① ①	1400	150
① ②	1380	173

	n [min ⁻¹]	P ₁ [W]
② ①	1335	142
② ②	1260	166
③ ①	880	63
③ ②	825	68

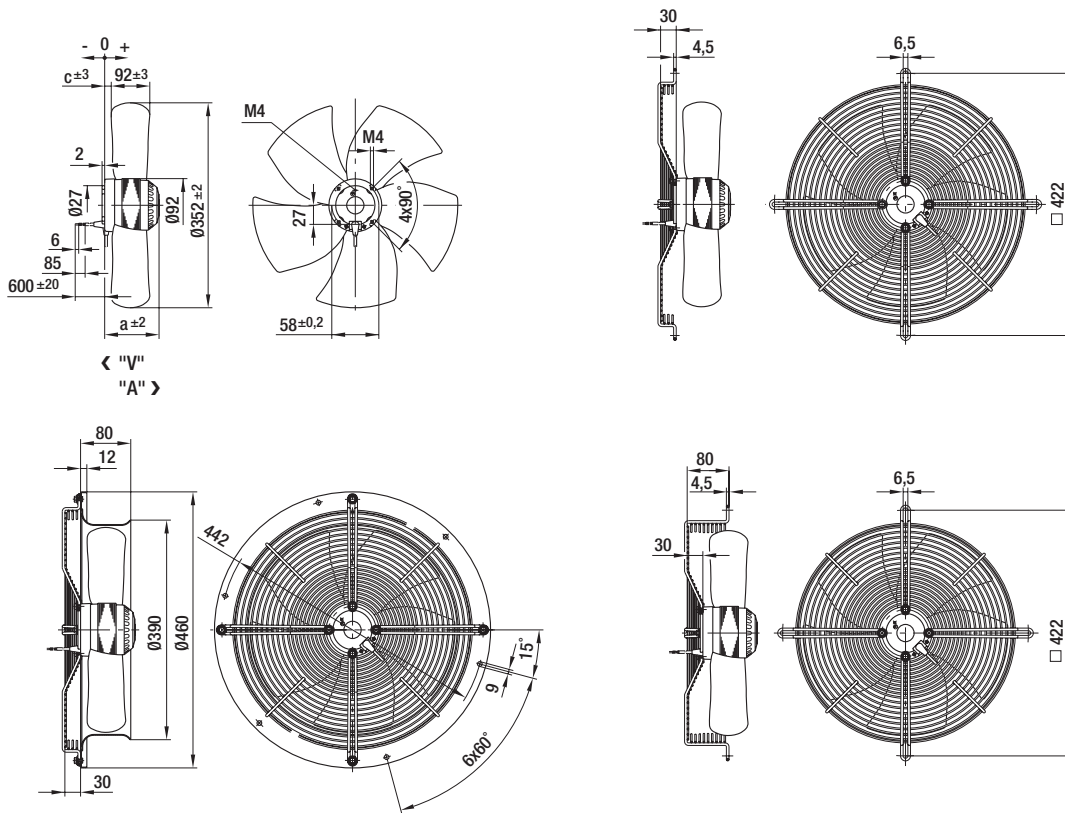
Characteristics



Characteristics



Selection	Cable exit	Direction of air flow					Dimensions	
			Type	S/A/B			p	c
*4D 350	A	"V"	A4D350-AR06 -01	S4D350-BR06 -30	W4D350-CR06 -30	S4D350-AR06 -30	102	10
		"A"	A4D350-AR06 -02	S4D350-BR06 -31	W4D350-CR06 -31	S4D350-AR06 -31	102	-10
*4E 350	A	"V"	A4E350-AR06 -01	S4E350-BR06 -30	W4E350-CR06 -30	S4E350-AR06 -30	102	10
		"A"	A4E350-AR06 -02	S4E350-BR06 -31	W4E350-CR06 -31	S4E350-AR06 -31	102	-10
*6E 350	A	"V"	A6E350-AR08 -01	S6E350-BR08 -30	W6E350-CR08 -30	S6E350-AR08 -30	83	5
		"A"	A6E350-AR08 -02	S6E350-BR08 -31	W6E350-CR08 -31	S6E350-AR08 -31	83	-12



AC axial fans

S-Range, Ø 400



- **Material:** sheet steel (coated in black)
- **Direction of rotation:** direction of air flow "V" counter-clockwise, direction of air flow "A" clockwise
- **Type of protection:** IP 44
- **Option:** also available with terminal box

ebm-papst • Mulfingen

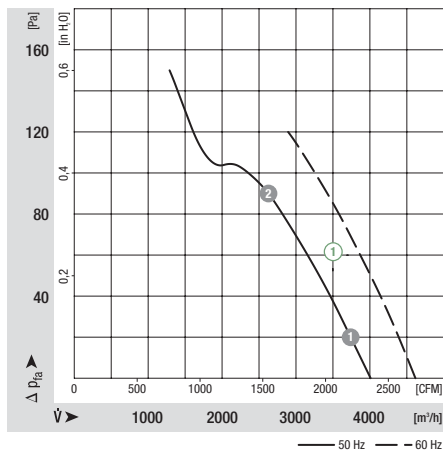
Nominal data		Characteristic	Voltage	Frequency	Air flow	Speed/rpm	Power input	Current draw	Capacitor	Sound pressure level	Max. back pressure	Perm. amb. temp.	Mass
Type	Motor		VAC	Hz	m ³ /h	min ⁻¹	W	A	µF/VDB	dB(A)	Pa	°C	kg
*4D 400 ⁽¹⁾	M4D074-EI	①	230/400	50	4000	1450	135	0,44	---	68	150	40	4,2
			230/400	60	4610	1690	185	0,39	---	72	120	40	
*4E 400	M4E074-EI	②	230	50	4235	1430	160	0,73	6,0/400	69	150	40	4,2
			230	60	4950	1700	240	1,06	6,0/400	73	75	40	
*6E 400 ⁽²⁾	M6E074-DF	③	230	50	3290	940	120	0,55	3,0/450	59	50	40	4,0
			230	60	3780	1080	170	0,75	3,0/400	62	40	40	

subject to alterations ⁽¹⁾ 400 VAC Δ/Y for two speed steps available on request, current draw established at 400 VAC (Y) ⁽²⁾ insulation class "F"

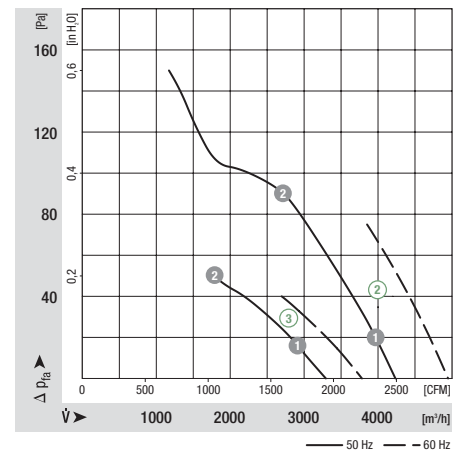
	n [min ⁻¹]	P ₁ [W]
① ①	1440	152
① ②	1415	195

	n [min ⁻¹]	P ₁ [W]
② ①	1430	172
② ②	1395	210
③ ①	935	126
③ ②	895	140

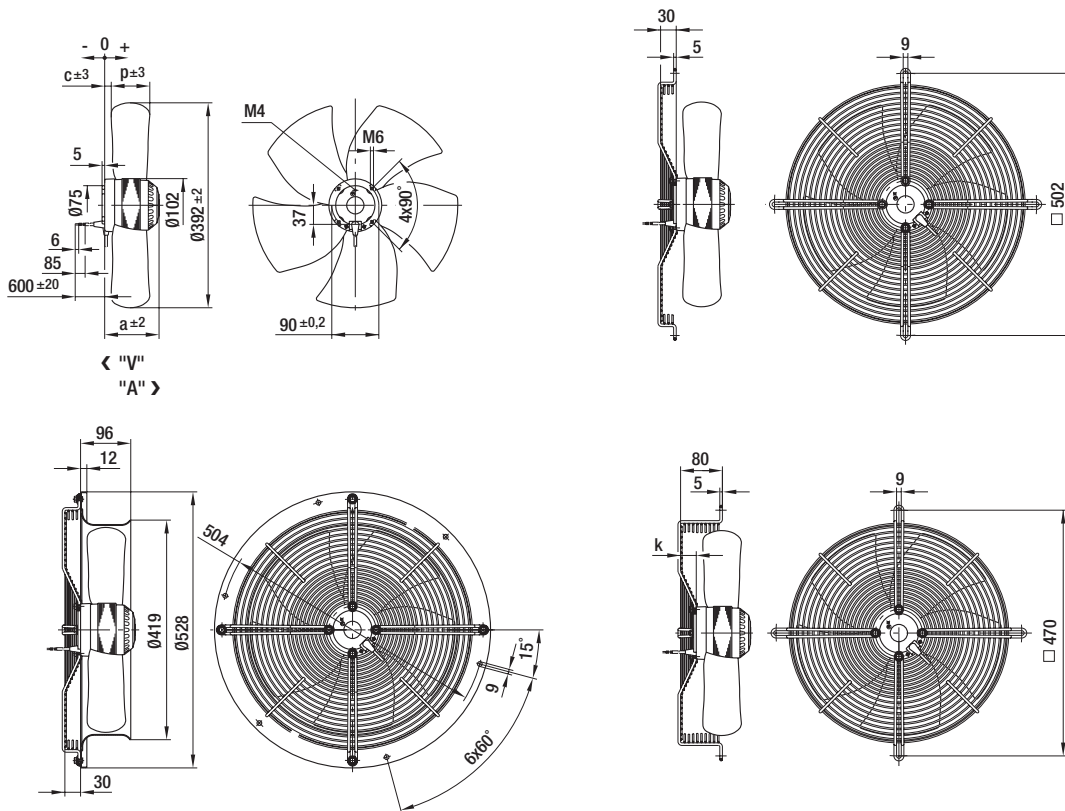
Characteristics



Characteristics



Selection	Cable exit	Direction of air flow	Dimensions							
			a	c	p	k				
*4D 400	B	"V" "A"	A4D400-AP12 -01 A4D400-AP12 -02	S4D400-BP12 -30 S4D400-BP12 -31	W4D400-CP12 -30 W4D400-CP12 -31	S4D400-AP12 -03 S4D400-AP12 -04	117 117	26 22	68 68	10 10
*4E 400	B	"V" "A"	A4E 400-AP02 -01 A4E 400-AP02 -02	S4E 400-BP02 -30 S4E 400-BP02 -31	W4E 400-CP02 -30 W4E 400-CP02 -31	S4E 400-AP02 -03 S4E 400-AP02 -04	117 117	26 22	68 68	10 10
*6E 400	B	"V" "A"	A6E 400-AP10 -01 A6E 400-AP10 -02	S6E 400-BP10 -30 S6E 400-BP10 -31	W6E 400-CP10 -30 W6E 400-CP10 -31	S6E 400-AP10 -30 S6E 400-AP10 -31	104 104	-5 14	90 88	30 30



AC axial fans

S-Range, Ø 420



- **Material:** sheet steel (coated in black)
- **Direction of rotation:** direction of air flow "V" counter-clockwise, direction of air flow "A" clockwise
- **Type of protection:** IP 44
- **Option:** also available with terminal box

ebm-papst • Muldingen

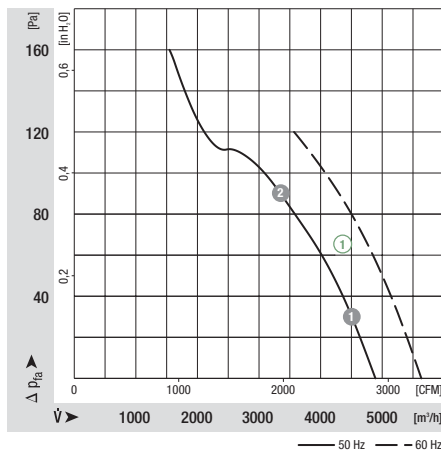
Nominal data		Characteristic	Voltage	Frequency	Air flow	Speed/rpm	Power input	Current draw	Capacitor	Sound pressure level	Max. back pressure	Perm. amb. temp.	Mass
Type	Motor		VAC	Hz	m ³ /h	min ⁻¹	W	A	µF/VDB	dB(A)	Pa	°C	kg
*4D 420 ⁽¹⁾	M4D074-GA	①	230/400	50	4890	1430	160	0,44	---	69	160	65	4,8
			230/400	60	5635	1660	235	0,45	---	72	120	40	
*4E 420	M4E074-GA	②	230	50	4830	1430	200	0,94	7,0/400	70	150	50	4,8
			230	60	5630	1680	285	1,25	7,0/400	74	50	40	
*6E 420 ⁽²⁾	M6E074-EI	③	230	50	3940	940	145	0,67	4,0/450	60	90	50	4,4
			230	60	4570	1090	205	0,90	4,0/450	63	80	45	

subject to alterations ⁽¹⁾ 400 VAC Δ/Y for two speed steps available on request, current draw established at 400 VAC (Y) ⁽²⁾ insulation class "F"

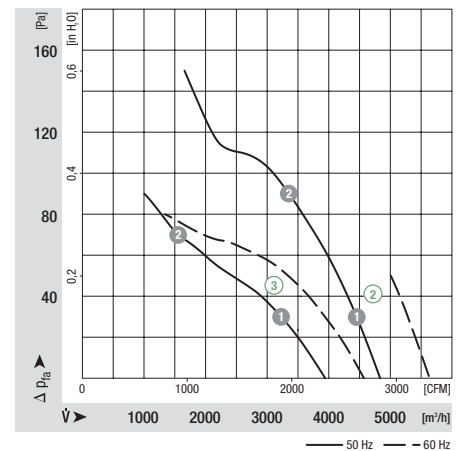
	n [min ⁻¹]	P ₁ [W]
① ①	1420	185
① ②	1390	237

	n [min ⁻¹]	P ₁ [W]
② ①	1430	220
② ②	1400	260
③ ①	930	155
③ ②	890	176

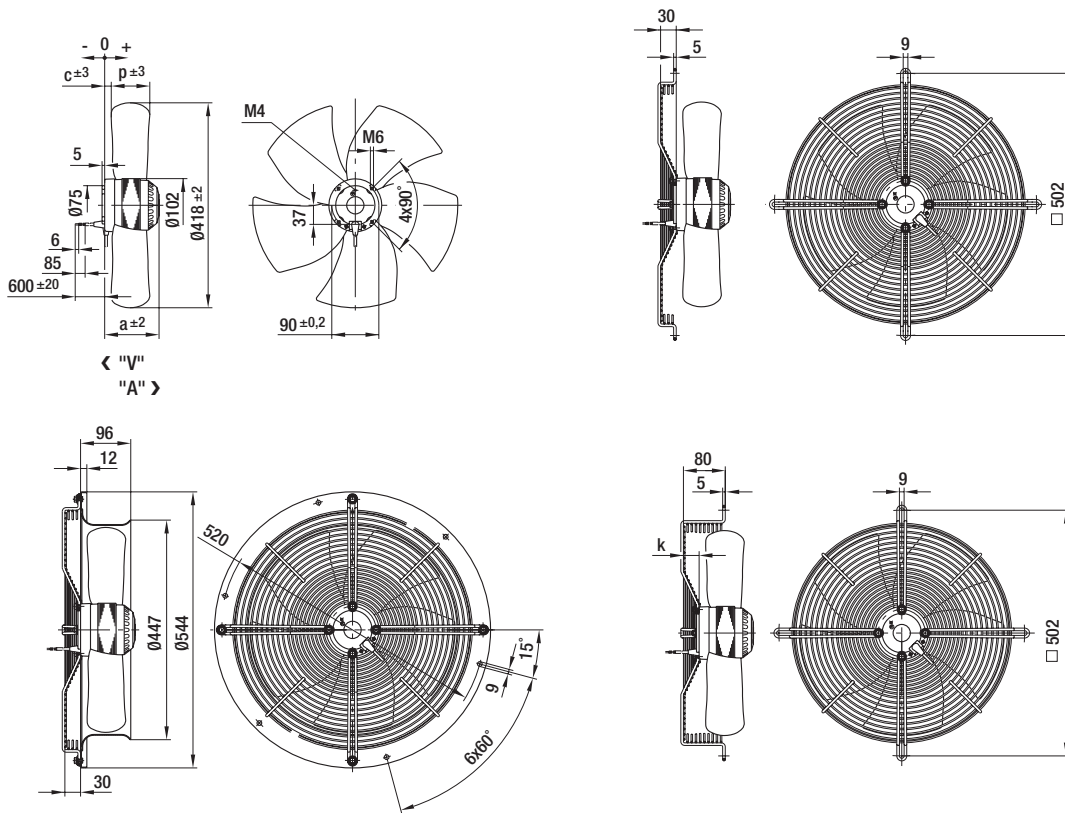
Characteristics



Characteristics



Selection	Cable exit	Direction of air flow	Image				Dimensions			
			Type	S/A/B	a	c	p	k		
*4D 420	B	"V"	A4D 420-AP02 -01	S4D 420-BP02 -30	W4D 420-CP02 -30	S4D 420-AP02 -03	129	28	67	0
		"A"	A4D 420-AP02 -02	S4D 420-BP02 -31	W4D 420-CP02 -31	S4D 420-AP02 -04	129	25	67	0
*4E 420	B	"V"	A4E 420-AP02 -01	S4E 420-BP02 -30	W4E 420-CP02 -30	S4E 420-AP02 -03	129	28	67	0
		"A"	A4E 420-AP02 -02	S4E 420-BP02 -31	W4E 420-CP02 -31	S4E 420-AP02 -04	129	25	67	0
*6E 420	B	"V"	A6E 420-AP02 -01	S6E 420-BP02 -30	W6E 420-CP02 -30	S6E 420-AP02 -30	117	2	89	30
		"A"	A6E 420-AP02 -02	S6E 420-BP02 -31	W6E 420-CP02 -31	S6E 420-AP02 -31	117	21	89	30



AC axial fans

S-Range, Ø 450



- **Material:** sheet steel (coated in black)
- **Direction of rotation:** direction of air flow "V" counter-clockwise, direction of air flow "A" clockwise
- **Type of protection:** IP 44
- **Option:** also available with terminal box

ebm-papst • Muldingen

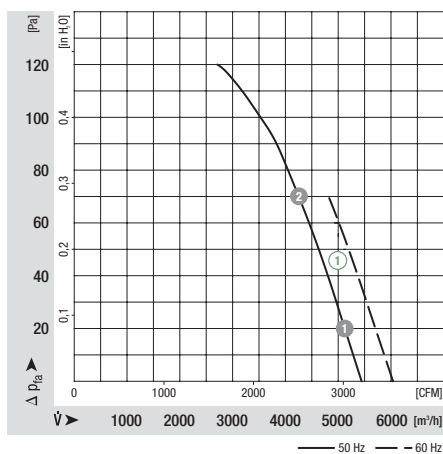
Nominal data		Characteristic	Voltage	Frequency	Air flow	Speed/rpm	Power input	Current draw	Capacitor	Sound pressure level	Max. back pressure	Perm. amb. temp.	Mass
Type	Motor		VAC	Hz	m ³ /h	min ⁻¹	W	A	µF/VDB	dB(A)	Pa	°C	kg
*4D 450 ⁽¹⁾⁽²⁾	M4D074-GA	①	230/400	50	5440	1380	200	0,48	---	72	120	45	5,0
			230/400	60	6040	1540	285	0,53	---	75	70	45	
*4E 450 ⁽²⁾	M4E074-GA	②	230	50	5700	1400	245	1,10	8,0/400	73	85	40	5,0
			230	60	6500	1600	355	1,55	8,0/400	76	30	40	
*6E 450	M6E074-GA	③	230	50	4725	980	165	0,80	4,0/450	63	70	40	5,0
			230	60	5450	1070	225	0,98	4,0/450	67	45	40	

subject to alterations (1) 400 VAC Δ/Y for two speed steps available on request, current draw established at 400 VAC (Y) (2) insulation class "F"

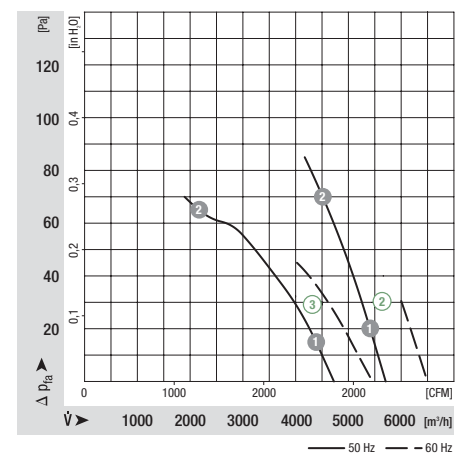
	n [min ⁻¹]	P ₁ [W]
① ①	1360	220
① ②	1330	258

	n [min ⁻¹]	P ₁ [W]
② ①	1390	258
② ②	1360	292
③ ①	930	171
③ ②	870	200

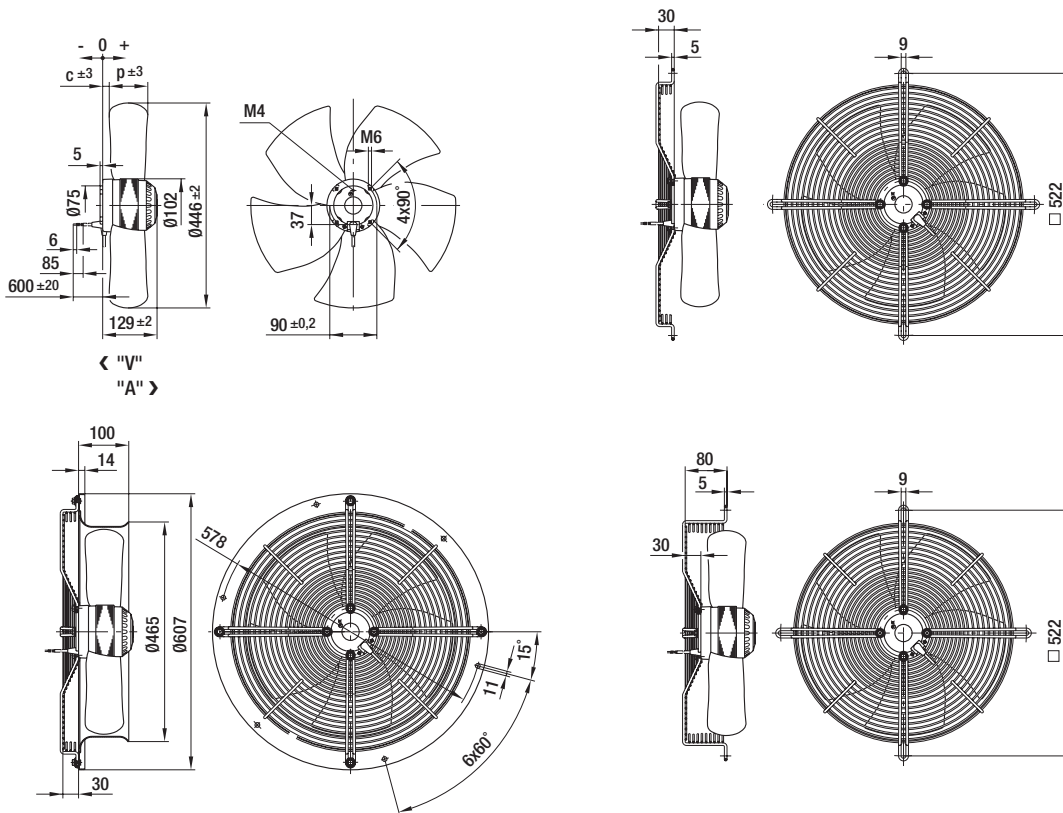
Characteristics



Characteristics



Selection	Cable exit	Direction of air flow	Fan types				Dimensions	
			Type	S/A/B	c	p		
*4D 450	B	"V"	A4D450-AP01 -01	S4D450-BP01 -01	W4D450-CP01 -01	S4D450-AP01 -01	35	68
		"A"	A4D450-AP01 -02	S4D450-BP01 -02	W4D450-CP01 -02	S4D450-AP01 -02	27	68
*4E 450	B	"V"	A4E450-AP01 -01	S4E450-BP01 -01	W4E450-CP01 -01	S4E450-AP01 -01	35	68
		"A"	A4E450-AP01 -02	S4E450-BP01 -02	W4E450-CP01 -02	S4E450-AP01 -02	27	68
*6E 450	B	"V"	A6E450-AP02 -01	S6E450-BP02 -01	W6E450-CP02 -01	S6E450-AP02 -01	10	92
		"A"	A6E450-AP02 -02	S6E450-BP02 -02	W6E450-CP02 -02	S6E450-AP02 -02	25	92



AC axial fans

S-Range, Ø 450



- **Material:** sheet steel (coated in black)
- **Type of protection:** IP 54 (please note drilled condensate discharges)
- **Insulation class:** "F"
- **Directive:** complying with EN 60034-1
- **Motor protection:** thermal overload protector brought out

ebm-papst • Muldingen

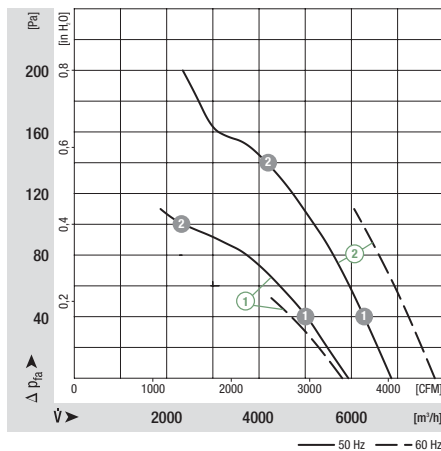
Nominal data		Characteristic	Voltage	Frequency	Speed/rpm ⁽¹⁾	Max. power input ⁽¹⁾	Max. current draw ⁽¹⁾	Capacitor	Max. back pressure	Perm. amb. temp.	Mass
Type	Motor		VAC	Hz	min ⁻¹	W	A	µF/VDB	Pa	°C	kg
*4D 450	M4D094-HA	①	400 Y	50	1000	390	0,67	---	110	70	7,9
			400 Y	60	1060	400	0,70	---	55	50	
		②	400 Δ	50	1330	585	1,10	---	200	70	7,9
			400 Δ	60	1540	660	1,16	---	110	50	
*4E 450	M4E094-HA	③	230	50	1350	480	2,10	10 / 400	125	65	7,9
			230	60	1490	665	2,90	10 / 400	115	50	

subject to alterations ⁽¹⁾ in operating point with maximum load

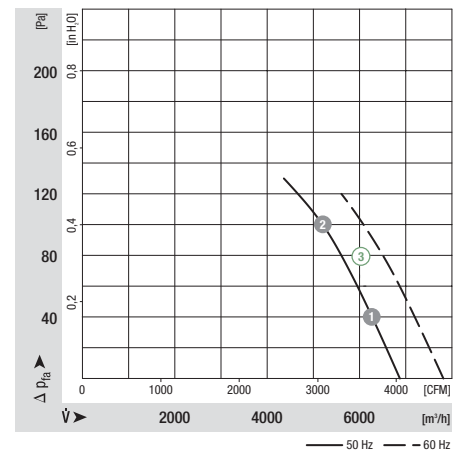
	n [min ⁻¹]	P ₁ [W]	I [A]	Lp _A [dB(A)]
① ①	1170	303	0,53	72
① ②	1030	375	0,63	70
② ①	1400	392	0,89	68
② ②	1370	476	0,98	66

	n [min ⁻¹]	P ₁ [W]	I [A]	Lp _A [dB(A)]
③ ①	1380	413	2,01	72
③ ②	1360	460	2,20	70

Characteristics



Characteristics



Selection	Terminal box version	Direction of air flow	Image				Dimensions			
			Type	b	c	d	h			
*4D 450	Ø 89	"V"	A4D450-BA14 -01	S4D450-HA14 -01	W4D450-GA14 -01	S4D450-GA14 -01	Ø 89	35,0	---	33,5
		"A"	A4D450-BA14 -02	S4D450-HA14 -02	W4D450-GA14 -02	S4D450-GA14 -02	Ø 89	36,7	---	33,5
*4E 450	□ 99	"V"	A4E 450-BA09 -01	S4E 450-HA09 -01	W4E 450-GA09 -01	S4E 450-GA09 -01	□ 99	35,0	126	59,5
		"A"	A4E 450-BA09 -02	S4E 450-HA09 -02	W4E 450-GA09 -02	S4E 450-GA09 -02	□ 99	36,7	126	59,5

