

DC centrifugal fan

Series RV 40 105 x 59 x 79

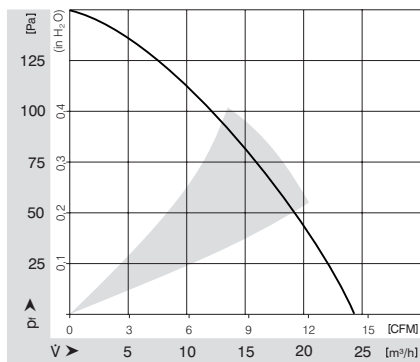


- **General description:** DC fan with electronically commutated external rotor motor. Commutation electronics completely integrated.
- **Impeller material:** Fiberglass-reinforced, halogen-free plastic
- **Housing material:** Fiberglass-reinforced, halogen-free plastic

Nominal data		Voltage	Voltage range VDC	Air flow	Speed	Power consumption	Sound level	Ambient temperature	L10 service life at 40 °C	L10 service life at max. temp.	Weight
Type	Motor	VDC	VDC	m³/h	1/min	W	Bel	°C	h	h	kg
RV 40-18/12 H	--	12	9 - 16	24	4800	4.5	5.0	-20 .. 70	50000	25000	0.100

Subject to modification

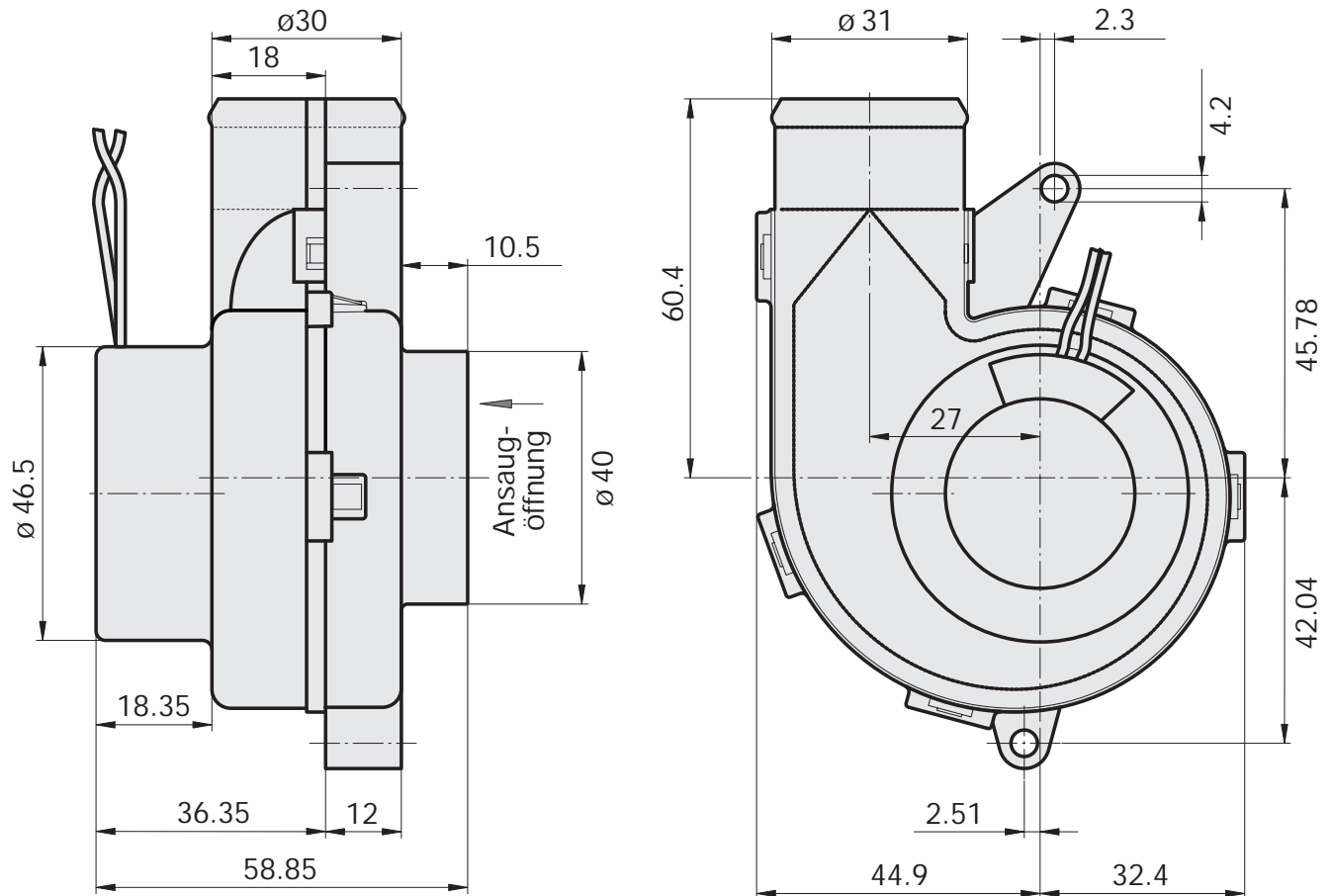
Characteristic: Pressure over air flow



DC centrifugal fan

Series RV 40 105 x 59 x 79

Specific drawing



Technical description

- **General description:** DC fan with electronically commutated external rotor motor. Commutation electronics completely integrated.
- **Housing material:** Fiberglass-reinforced, halogen-free plastic
- **Direction of air flow:** Centrifugal, air exhaust out of housing window
- **Motor protection:** With electronic reverse polarity protection. The fan runs only if the polarity is correct.
- **Approvals:** VDE, CSA, UL, CE
- **Impeller material:** Fiberglass-reinforced, halogen-free plastic
- **Bearings:** Ball bearings
- **Electrical connection:** 2 single strands AWG 26, TR 64
- **Locked-rotor protection:** Electronic locked-rotor protection

Contact

ebm-papst St. Georgen GmbH & Co. KG
Hermann-Papst-Straße 1
D-78112 St. Georgen
Phone +49 (0) 7724 / 81-0
Fax +49 (0) 7724 / 81-1309
info2@de.ebmpapst.com
www.ebmpapst.com