
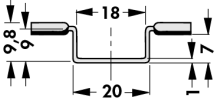
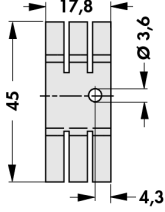

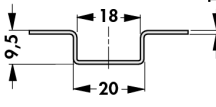
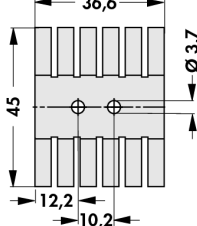
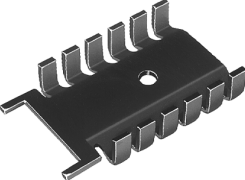
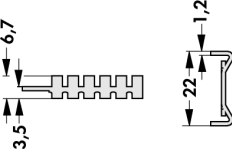
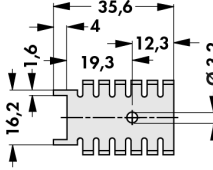
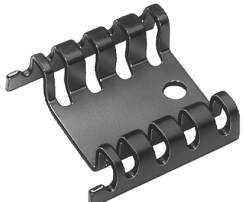
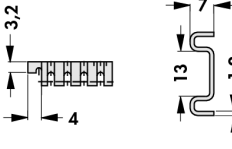
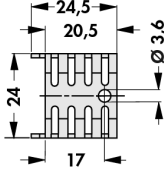
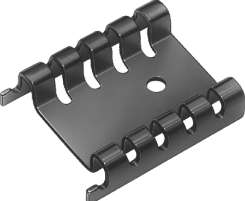
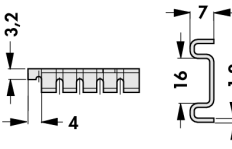
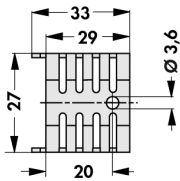


<p>art. no.</p> <p>FK 227 SA L 1</p>			<p>22 K/W</p> <p>TO 220</p>	
<p>art. no.</p> <p>FK 238 SA L 1</p>			<p>12 K/W</p> <p>TO 220</p>	

material: aluminium
surface treatment: black anodised

<p>art. no.</p> <p>FK 218 32 ...</p>			<p>21 K/W</p> <p>SOT 32 TO 220</p>	
<p>art. no.</p> <p>FK 232 220 ...</p>			<p>21 K/W</p> <p>TO 220</p>	
<p>art. no.</p> <p>FK 233 220 ...</p>			<p>20,2 K/W</p> <p>TO 220</p>	
<p>please indicate: ... surface treatment SA=black anodised MI=solderable</p>				

Technical introduction
 Hole pattern
 Heatsink profile-overview
 Thermal conductive paste

→ A 2 - 7
 → A 21
 → A 13 - 16
 → E 12

Thermal conductive foil
 Thermal conductive glue
 Kapton insulator washers

→ E 5
 → E 14
 → E 8