



ALL RIGHTS RESERVED. NO PORTION OF THIS PUBLICATION, WHETHER IN WHOLE OR IN PART, CAN BE REPRODUCED WITHOUT THE EXPRESS WRITTEN CONSENT OF SPC TECHNOLOGY.

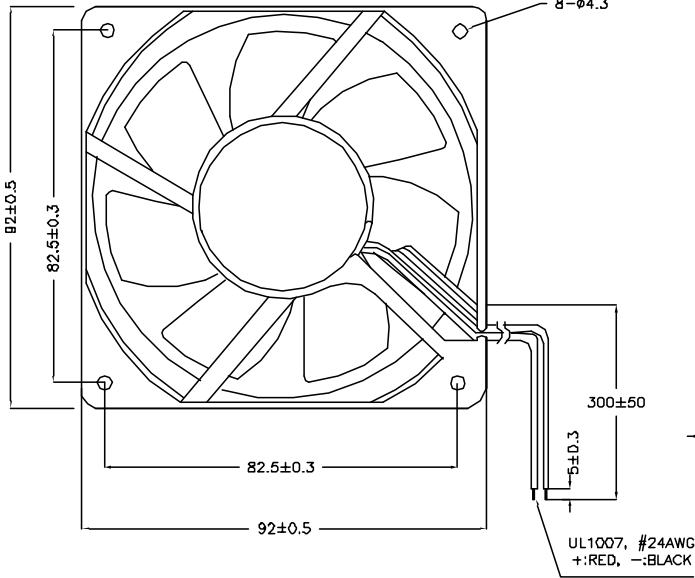
SPC-F005.DWG

REVISIONS

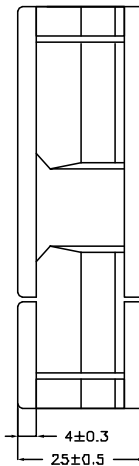
DOC. NO. SPC-F005 * Effective: 7/8/02 * DCP No: 1308

DCP #	REV	DESCRIPTION	DRAWN	DATE	CHECKD	DATE	APPRVD	DATE
1993		Released	JN	06/20/08	JN	06/20/08	JN	06/20/08

ROTATION



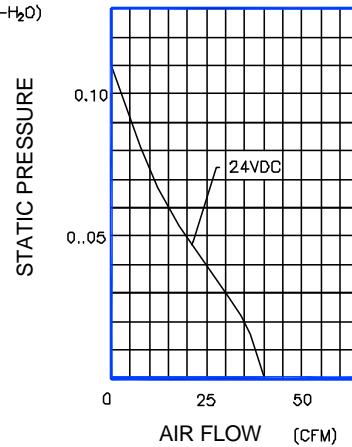
AIR FLOW



PERFORMANCE CURVES



(Inches-H₂O)



SPECIFICATIONS:

- Rated Voltage: 24 VDC
- Bearing: Vapo Bearing System
- Rated Current: 0.05 AMP
- Operating Voltage Range: 8~27.6VDC
- Starting Voltage: 8 VCD (25 deg.C Power on/off)
- Rated Power: 1.2 WATTS
- Rated Speed: 2200 RPM \pm 15%
- Air Delivery: 39 CFM
- Static Pressure: 0.11 Inch-H₂O
- Noise Level: 28 dB(A)
- Weight: 100 g
- Operating Temperature: -10 to +70 deg.C

DISCLAIMER:
ALL STATEMENTS AND TECHNICAL INFORMATION CONTAINED HEREIN ARE BASED UPON INFORMATION AND/OR TESTS WE BELIEVE TO BE ACCURATE AND RELIABLE. SINCE CONDITIONS OF USE ARE BEYOND OUR CONTROL, THE USER SHALL DETERMINE THE SUITABILITY OF THE PRODUCT FOR THE INTENDED USE AND ASSUME ALL RISK AND LIABILITY WHATSOEVER IN CONNECTION THEREWITH.

TOLERANCES:
UNLESS OTHERWISE SPECIFIED, DIMENSIONS ARE FOR REFERENCE PURPOSES ONLY.

DRAWN BY:	DATE:
Jason Nash	06/20/08
CHECKED BY:	DATE:
Jason Nash	08/20/08
APPROVED BY:	DATE:
Jason Nash	06/20/08

DRAWING TITLE: DC Fan; Supply Voltage:24VDC			
SIZE	DWG. NO.	ELECTRONIC FILE	REV
A	MC23295	75M2183.DWG	
SCALE: NTS	U.Q.M.: Millimeters	SHEET: 1 OF 1	