

# DC 6010



**SIZE :**

60x60x10mm (2.36"x2.36"x0.39")

**CONSTRUCTION :**

Glass fiber reinforced plastic:  
Impeller and housing PBT are UL 94V-0 rating

**OPERATING TEMPERATURE :**

Ball bearing -30°C to +75°C  
Sleeve bearing -10°C to +70°C

**INSULATION RESISTANCE :**

10meg Ohm min. at 500 VDC  
(between frame and terminal)

**DIELECTRIC STRENGTH :**

5mA max. at 500 VAC 60Hz one minute  
(between frame and terminal)

**FUNCTION :**

frequency generator signal option

**WEIGHT :**

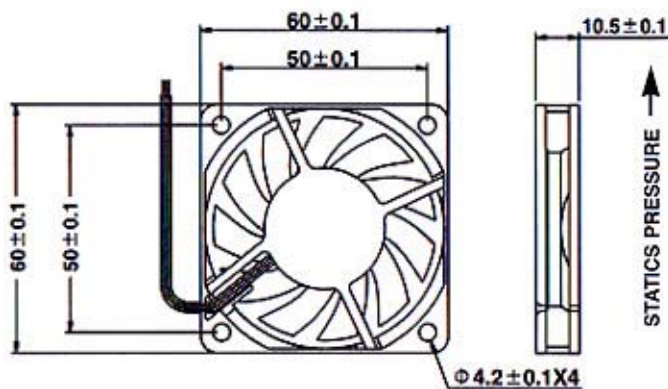
30 grams

## Specifications

Specifications are subject to change without notice

MODEL NO.	BEARING	RATED VOLTAGE	OPERATING VOLTAGE RANGE	RATED CURRENT	RATED INPUT POWER	SPEED R.P.M.	MAX. AIR FLOW		MAX. AIR PRESSURE		NOISE dB-A
		VDC	V	A	W		m <sup>3</sup> /min	CFM	mmH <sub>2</sub> O	IN H <sub>2</sub> O	
BP601012M	Ball	12	10.2-13.8	0.16	1.92	4200	0.59	20.70	2.84	0.112	35
SP601012M	Sleeve										
BS601012M	Ball & Sleeve										
BP601012H	Ball	12	10.2-13.8	0.21	2.52	4700	0.66	23.30	3.30	0.130	36.8
SP601012H	Sleeve										
BS601012H	Ball & Sleeve										

### Dimensions (mm)



### Performance Curve

