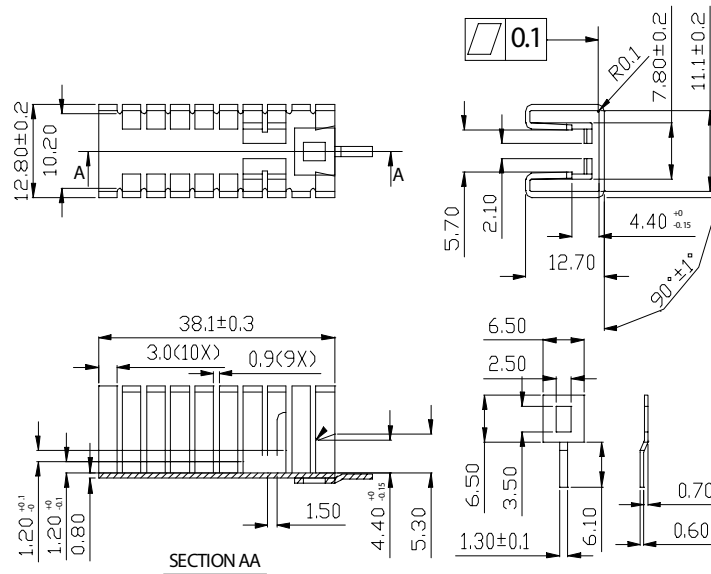


# Heatsink

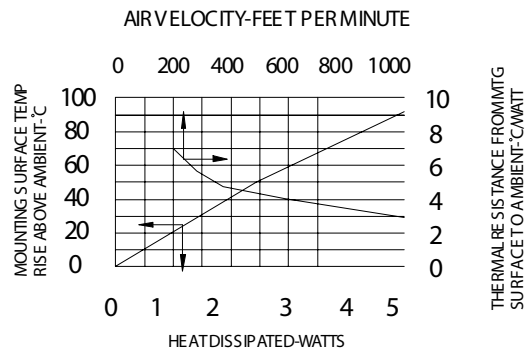
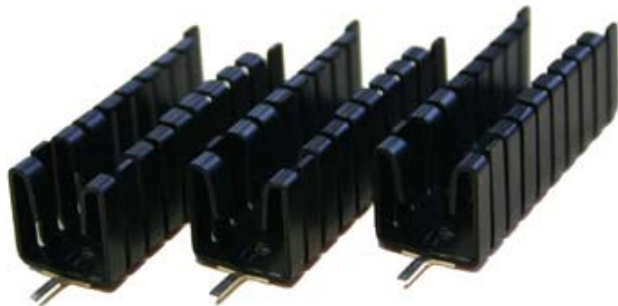
Clip-on TO220 heatsink with cooling fins which form spring clamps that applies a constant pressure over entire contact surface of the TO220 case. Vertical mounting by solderable tags.

**Product Features:**

- Compact size
- Simple clip-on assembly
- Black anodize finish



PIN: BK-PIN-0028  
 MATERIAL: BRASS  
 FINISH: TIN PLATED



Mfg Part No:	Thermal Resistance:	Height (mm):	Device Mtg:
MC33284	16.0°C/W	40	Clip-on