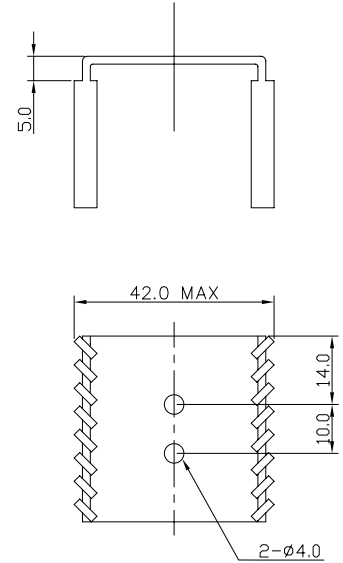
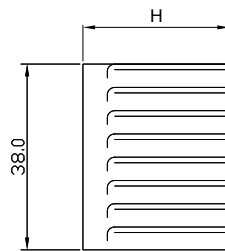


Heatsink

Twisted vane horizontal heatsinks pre-drilled to accept one or two TO220 packages.

Product Features:

- Accommodates two devices
- Twisted vane
- Black anodize finish



Mfg Part No:	Thermal Resistance:	Height (mm):	Device Mtg:
MC33278	7.6°C/W	20	Mounting Hole
MC33279	7.1°C/W	25	Mounting Hole