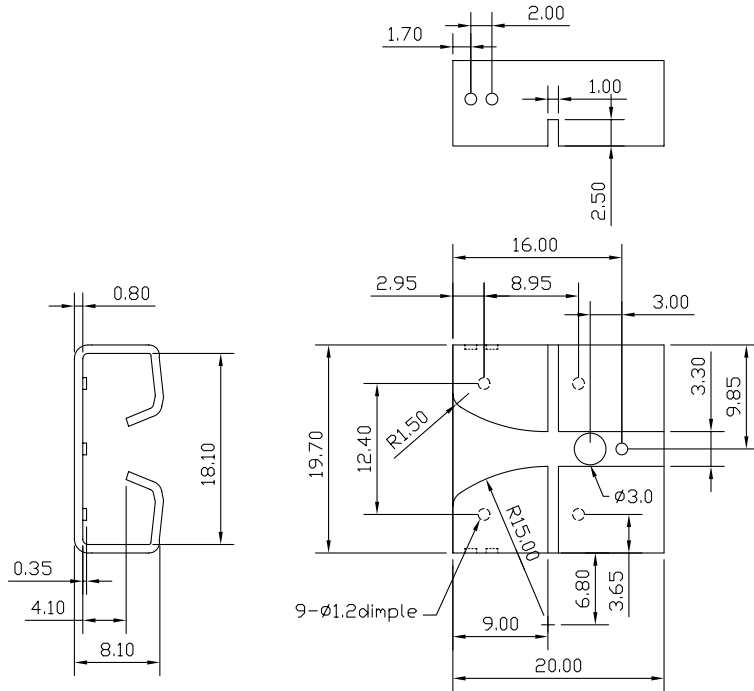


Heatsink

A cost effective clip-on heatsink, which is designed to apply pressure directly above the junction. For use without thermal interface grease. Pre drilled for TO220 package.

Product Features:

- Low cost
- Easy clip-on
- No thermal grease



Mfg Part No:	Thermal Resistance:	Device Mtg:
MC33277	28.0°C/W	Clip-on