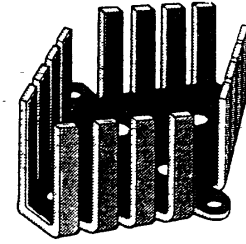
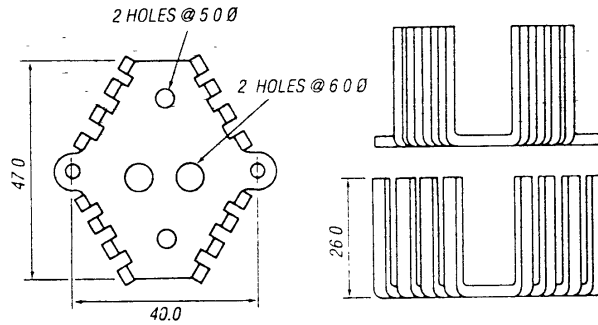


# PRESSED ALUMINIUM - LOUVRE SINKS

LS80

T03

7.1°C/W

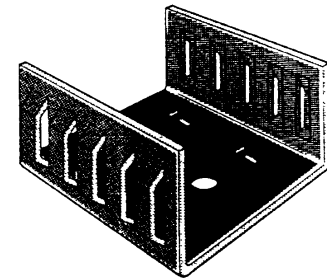
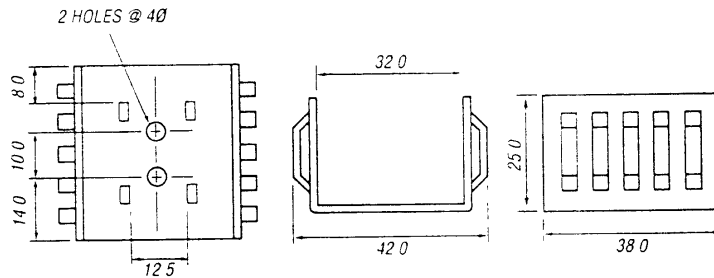


**595-810**

LS85

T0220, T03P  
AND MOST PLASTIC PACKAGED DEVICES  
HEAT SINKS WILL ACCEPT 1 OR 2 DEVICES

7.1°C/W



DEVICE MAY BE FIXED WITH SCREW OR CLIP (SEE CLIP 34)



LS90

T03

7.1°C/W

