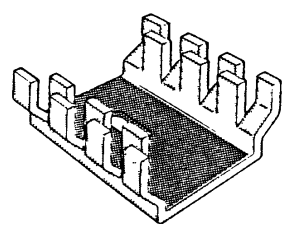
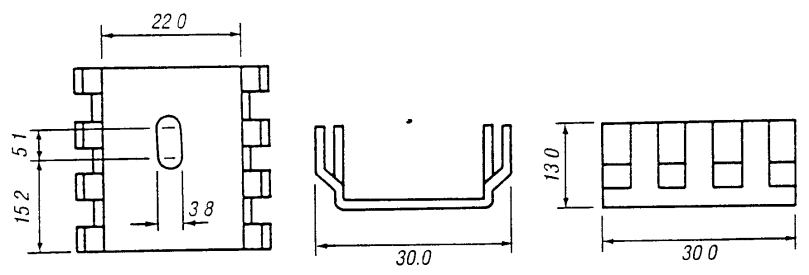


**PRESSED ALUMINIUM - LOUVRE SINKS**

**LS160**

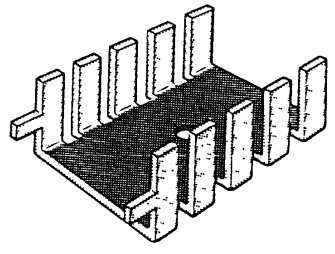
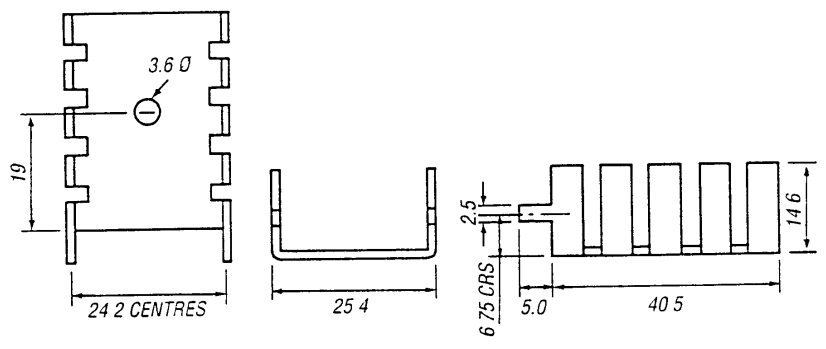
TO220, TO126, TO3P  
AND MOST PLASTIC PACKAGED DEVICES  
HEAT SINK WILL ACCEPT ONE OR TWO DEVICES **14°C/W**

595-846



**LS165**

TO220, TO3P **17°C/W**



**LS170**

TO126 **21°C/W**

