

HF20 HF35 Clipsink - TO220 etc.

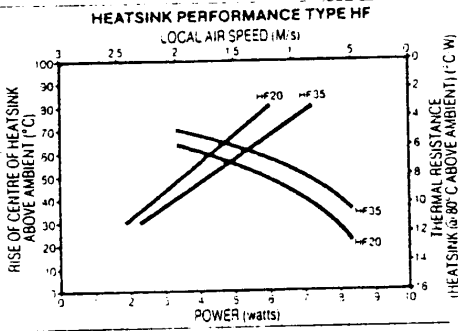
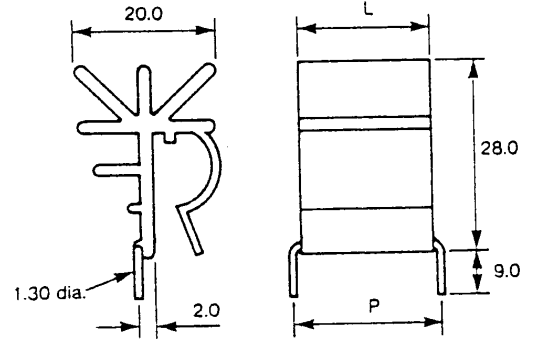
170-071

Versatile and powerful extruded clip heatsink.
Incorporates tinned wire leads enabling soldering to P.C.B.

Finish: Body - Black anodised

HF20 L=20 P=21 $\theta = 13^\circ \text{ C/W}$

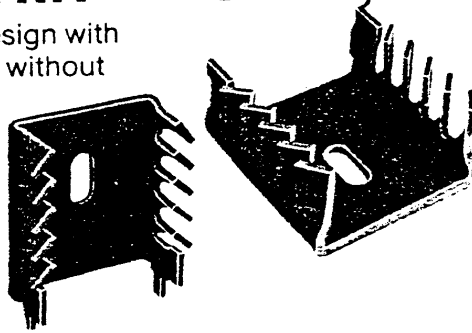
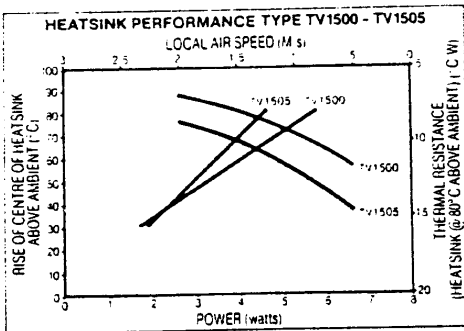
HF35 L=35 P=36 $\theta = 11^\circ \text{ C/W}$



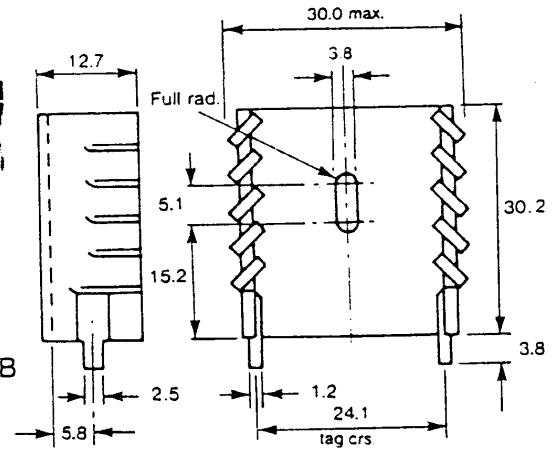
TV1500 Powerfin - TO220, TO126, etc TV1505 Powerfin - TO220, TO126, etc

Low profile - low cost twisted vane design with good thermal rating. Available with or without integral tags.

Finish: Black anodised



TV1500 $\theta = 14^\circ \text{ C/W}$
British Telecom Ref: 1MAA01168AAB
Nato code: 5999.99.774.5916
TV1505 $\theta = 17^\circ \text{ C/W}$
with integral mounting tags
for insertion into P.C.B. See also TV905.



Tag dimensions for TV1505 only

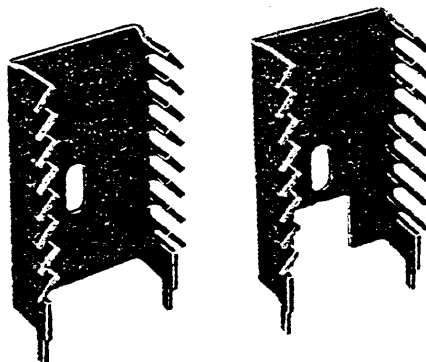
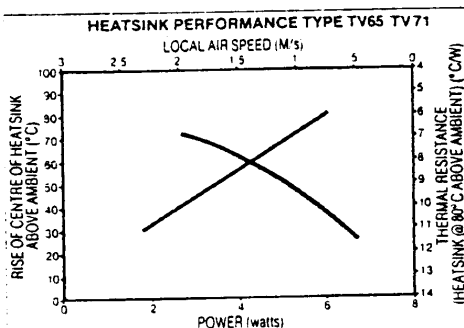
TV65 Powerfin - TO220 etc. TV71 Powerfin - TO202

For vertical mounting in P.C.B. with integral tags for mechanical support.

Finish: Black anodised.

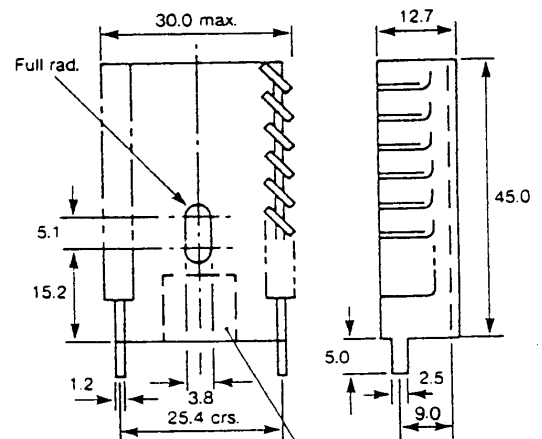
TV65 $\theta = 13^\circ \text{ C/W}$

TV71 $\theta = 13^\circ \text{ C/W}$



TV65

TV71



Cut-out in TV71 only.