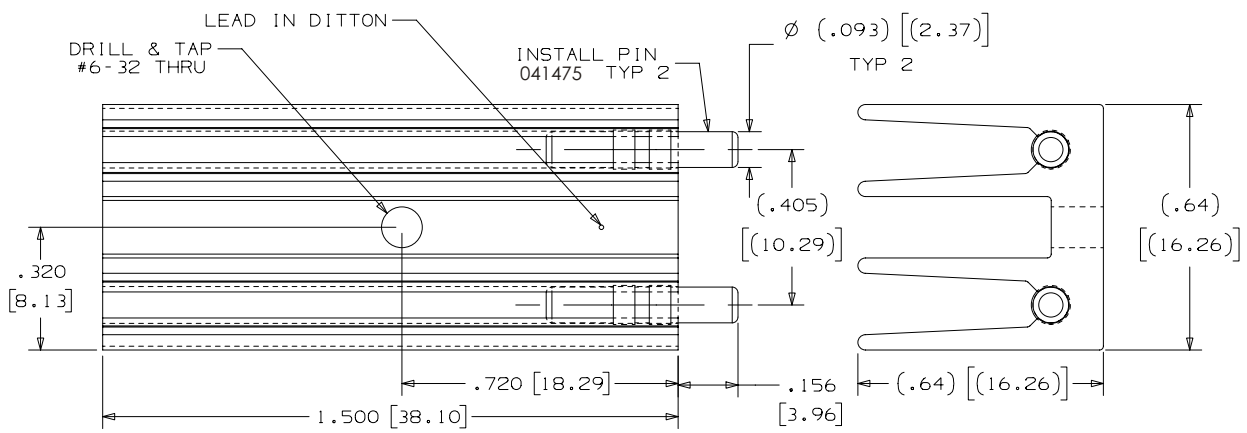
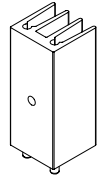


THIS DRAWING AND THE SPECIFICATIONS CONTAINED HEREIN ARE CONFIDENTIAL AND PROPRIETARY. THEY ARE THE PROPERTY OF AAVID THERMAL TECHNOLOGIES INC. AND SHALL NOT BE REPRODUCED OR COPIED OR USED IN WHOLE OR IN PART AS THE BASIS FOR THE MANUFACTURE OR SALE OF ITEMS WITHOUT WRITTEN PERMISSION. THIS IS AN UNPUBLISHED WORK PROTECTED UNDER THE FEDERAL COPYRIGHT LAWS, 1995.



ROHS COMPLIANT
PER AAVID SPEC: ROHS - 9000

041800	STD,581102U02500G	WASH
041799	STD,581102B02500G	BLACK ANODIZE
Vis #	DESCRIPTION	FINISH

FINISH	SEE TABLE
U/O	
MAT'L	62470 (004236)
TOLERANCE UNLESS NOTED	
.XX	= ±.015 [±.38]
.XXX	= ±.010 [±.25]
ANGULAR	± 3°

A	05/23/05	RELEASE PER ECN# 002159	SFS
REV.	DATE	DESCRIPTION	CHK'D
		80 COMMERCIAL ST. CONCORD, N.H. 03301	
DRAWING NO.		041799	
STANDARD DESCRIPTION			
STD,581102B02500G			
DATE	DRAWN	ENGR.	APP'D
05/23/05	SFS	SFS	SFS
			SCALE
			4 TO 1
			SHEET