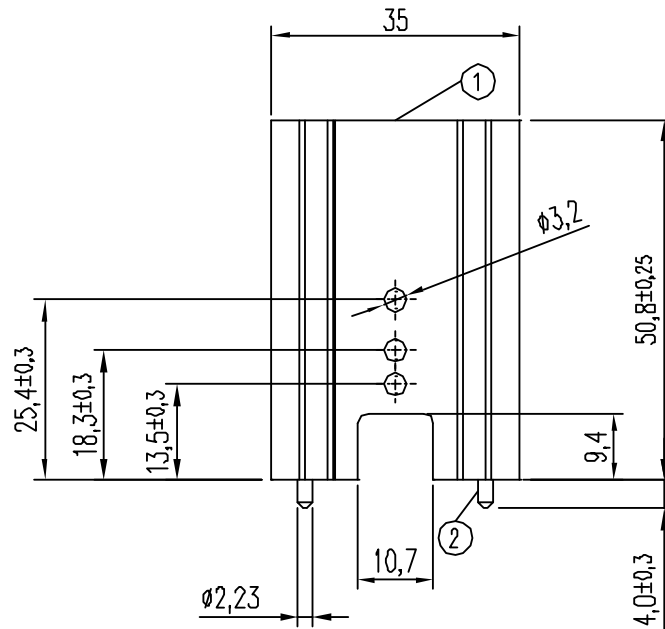
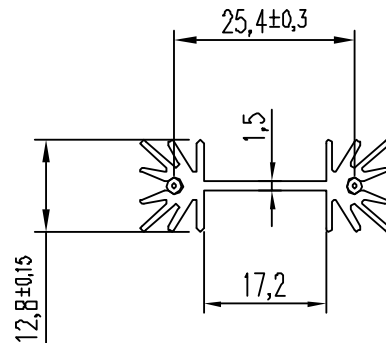



Pos.	Description	Q.ty	P/N
2	PIN-BRASS-D.2,23x15-TIN-BM012 B	2	406072G
1	HTSK-AL-0S097-50-B-ML97 STD	1	405124



Note:		Scale					
ML73(S172/50.8 with pins)		1:1					
THIS DOCUMENT CONTAINS AAVID THERMALLOY'S INTELLECTUAL PROPERTY WHICH IS SUPPLIED IN CONFIDENCE; IT MUST NOT BE USED FOR ANY PURPOSE OTHER THAN WHICH IT IS SUPPLIED; IT MUST NOT BE REPRODUCED WITHOUT WRITTEN PERMISSION FROM THE OWNERS							
 AAVID THERMALLOY EUROPE www.avidthermalloy.com Via XXV Aprile, 22 40067 Castiglione - Bologna ITALY Tel. +39 051 784011 Fax +39 051 784060 Cheney Manor SWINDON WILTS SN16 8DN UK Tel. +44 1793 421423 Fax +44 1793 615888 COMPANY WITH QUALITY SYSTEM CERTIFIED BY LUKA ISO 9001:2000		1	B	13Jan05	RoHS compliant pins used; ECF 325 BO refers	AS	
		2	A	30Jul02	ORIGINAL (was L07305A)		
Format A4		REV	Date	Revision description			By
Die n.		MATERIAL Aluminium EN AW-6060					DRAWING n. BC090
Factor		GENERAL TOLERANCES Extrusion UNI3879					Vis. n. 405126G
Perim.		Machining UNIZ76B					Drawn M. Calanchi
Ardo		FINISH BLACK ANODIZATION					Direct
Weight							Description: HTSK-AL-DS172-50,8- -PINS-B-ML73 6100 STD CONF500-BC090 B