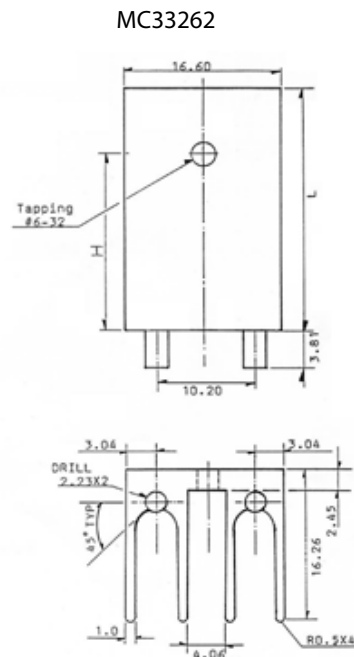
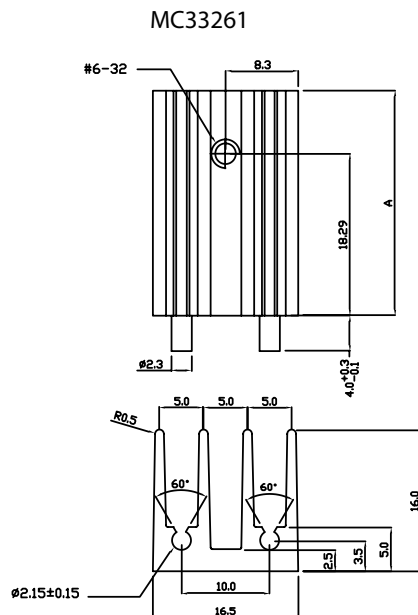
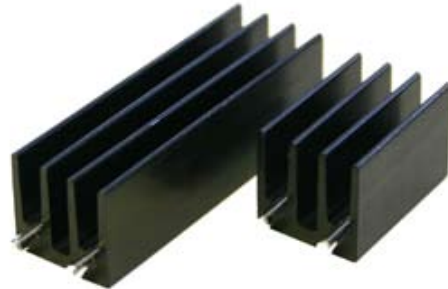


Heatsink Extruded

Flat back, vertical mounting extruded heatsink with solderable fixing pins. Pre-drilled for a single TO218/TO220 package.

Product Features:

- Small PCB footprint
- Solderable mounting pins
- Black anodize finish



Mfg Part No:	Thermal Resistance:	Height (mm):	B (mm):
MC33261	16.7°C/W	25.4	18.29
MC33262	12.9°C/W	38.1	18.29