



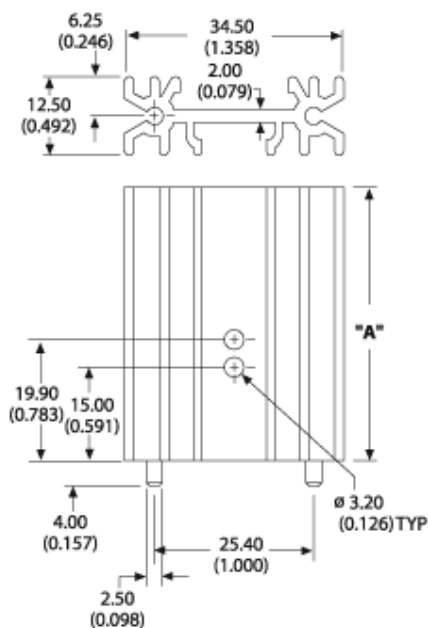
For use with TO-220/TO-218/TO-247 packages

Part Number - SW25-4G

RoHS
 Compliant



Mechanical Outline Drawing

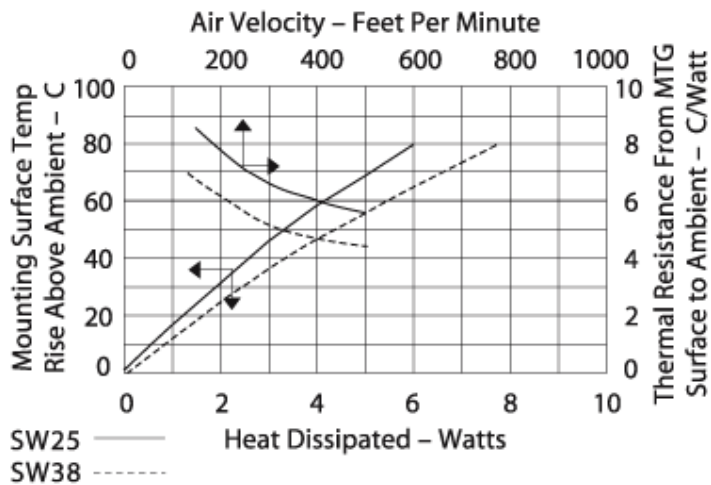


A Dim **25.00**

Thermal Resistance	11.40
---------------------------	-------

Thermal resistance value is based on a 75° C rise in natural convection

Thermal Curves



Product Information

Part #	Description	Finish	Board Mounting
SW25-4G	Extruded heat sink with large radial fins and device clips	Black Anodize	N/A
This non-electronic component is functionally unaffected by the normal soldering or reflow processes used for semiconductor circuits. The heat resistance time or heat resistance temperature is not applicable for the component.			

Not Exactly what you need?

We offer several options for those applications which require a more unique solution. For slight modifications of this part or other attachment options, finishes, and interface materials, contact your [local representative](#). Challenge us with your thermal requirements - we can design custom solutions.

For technical help with our Standard Products,
please call (603) 224-9988, or contact your Aavid Sales Rep
Email: info@aavid.com

Visit us at www.aavidthermalloy.com • ©2009 Aavid Thermalloy, LLC