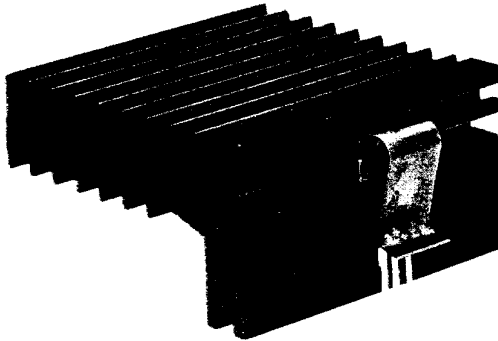
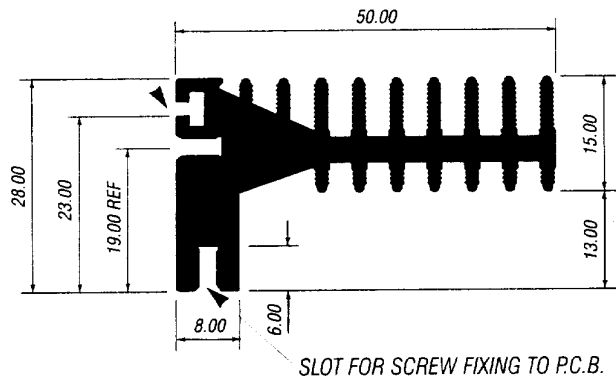


BOARD MOUNTING SERIES

PPN (DEVICE CLIPS AVAILABLE WITH THIS HEATSINK - CLIP 02)



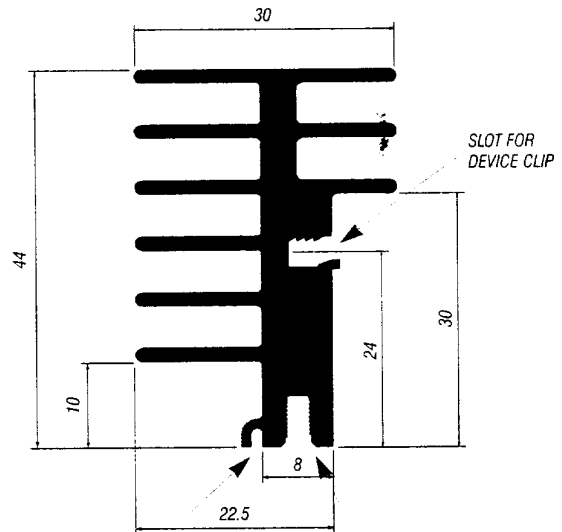
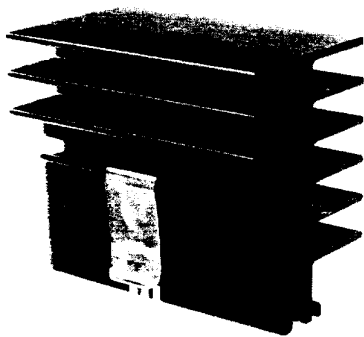
SLOT FOR DEVICE CLIP



DEVICE CLIP IS SLIDE FIT

Length mm L	Part Number	Thermal Rating °C/W
50	PPN0500B	5.0
75	PPN0750B	3.7
100	PPN0000B	3.1
150	PPN1500B	2.3

PPR (DEVICE CLIPS AVAILABLE WITH THIS HEATSINK - CLIP 05)



SLOT FOR BOARD SOLDERABLE WIRE FORMS

SLOT FOR SCREW FIXING TO PCB

Length mm L	Part Number	Thermal Rating °C/W
50	PPR0500B	4.75
75	PPR0750B	3.52
100	PPR1000B	2.75
150	PPR1500B	2.10